
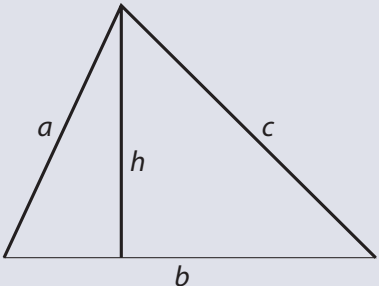
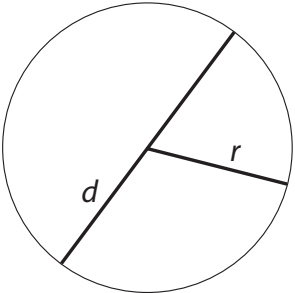
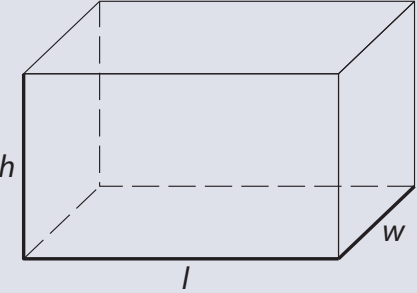
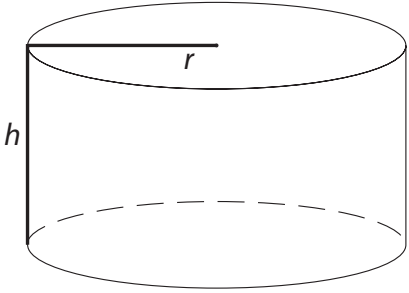
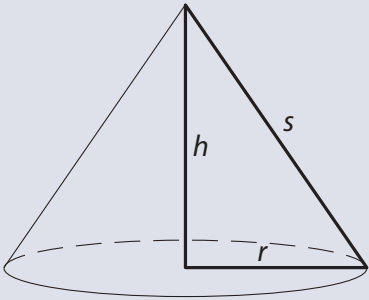
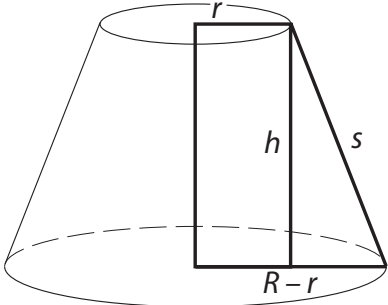
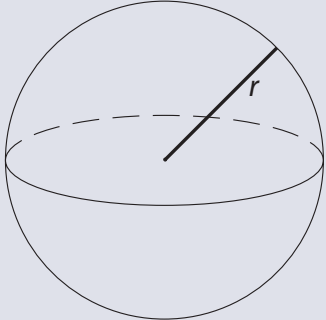


# ARC SURFACE AREA CALCULATIONS



SHAPES	FORMULA
	<p><b>Rectangle:</b> <i>Area = length x width</i> <math>A = lw</math></p>
	<p><b>Triangle</b> <i>Area = 1/2 of the base x the height</i> <math>A = 1/2 bh</math> <i>Perimeter = a + b + c</i> <i>(add the length of the three sides)</i></p>
	<p><b>Circle</b> <i>Area = <math>\pi r^2</math></i></p>
	<p><b>Rectangular Solid</b> <i>Area = <math>2lw + 2lh + 2wh</math></i></p>

# ARC SURFACE AREA CALCULATIONS

SHAPES	FORMULA
	<p><b>Cylinder</b>  <i>Area of Base + Top</i>  <math>2 \times \pi r^2</math>  <i>Area of Shell</i>  <math>\pi r^2 \times h</math></p>
	<p><b>Lateral Surface Area of a Cone</b>  <i>Area</i> = <math>\pi r^2 + \pi r s</math>  <i>Area</i> = <math>\pi r s</math> where  <math>s = r^2 + h^2</math></p>
	<p><b>Lateral Surface Area of a Truncated Cone</b>  <i>Area</i> = <math>\pi (R + r) s</math> where  <math>s = h^2 + (R - r)^2</math></p>
	<p><b>Sphere</b>  <i>Area</i> = <math>4\pi r^2</math></p>