

MULTISTAGE PUMPS

Stainless Steel - Electric Motor

VHSE 8 2.5-30-1 HF / VHSE 8 2.5 30HF



Model	Ref.	Power (HP)	Phases	Voltage (v)	Current (Amps)	Stages	H max. (m) *	Q max. (GPM) **	Suction	Discharge	Weight (kg)
VHSE 8 3-30-1 HF	E0774	3.0	1	230	14.0	2.5	68	70	1-1/2"	1-1/2"	24.0
VHSE 8 3-30 HF	E0775	3.0	3	230/460	8.3/4.15	2.5	68	70	1-1/2"	1-1/2"	24.0

* The maximum head (H) is achieved with the valve fully closed. (m = meters).

** Maximum flow (Q) is achieved with valve fully open. ((Gpm) ** = Gallons per minute).

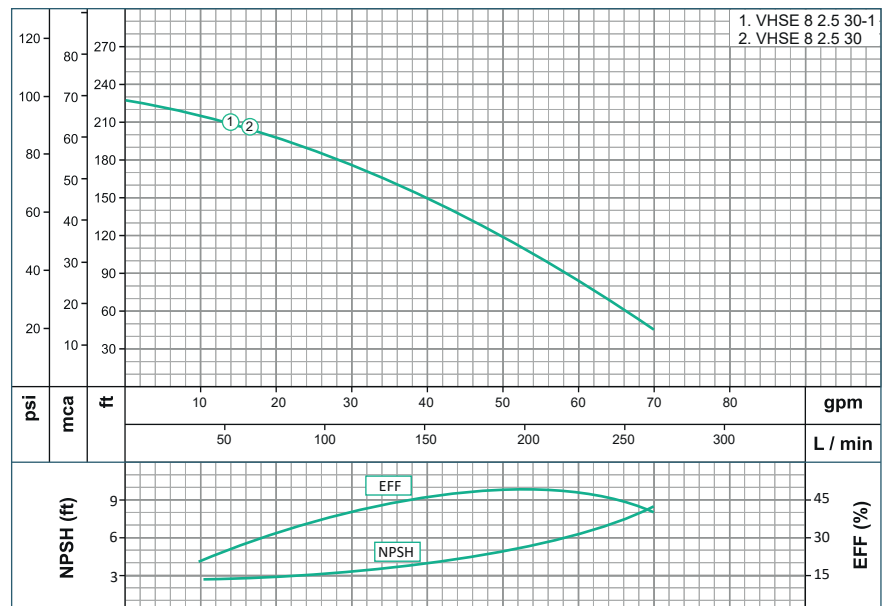
Materials	
Output Case	Stainless Steel 304
Volute	Stainless Steel 304
Impeller	Stainless Steel 304
Mechanical Seal	Ceramic / Carbon / Buna-N.
Intermediate coupling	Stainless Steel 304

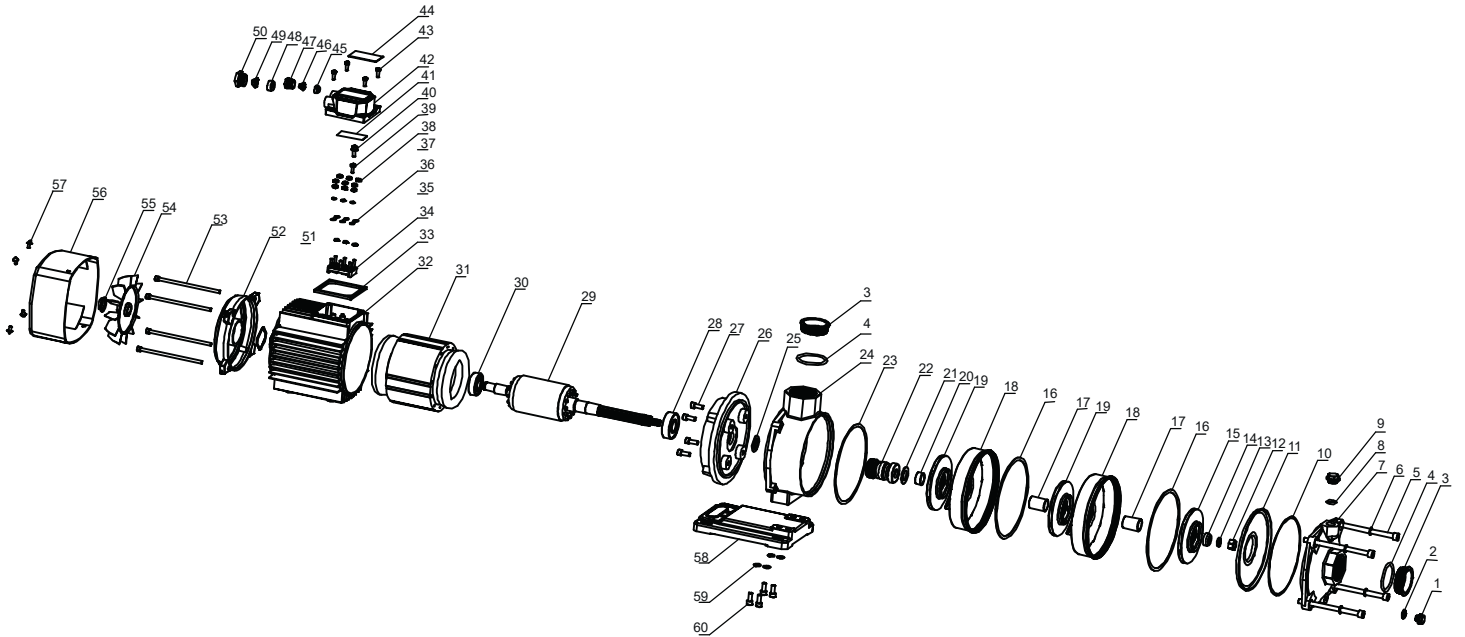


Pump Features	
Pump Type	Centrifugal
Design	Close Coupled
Suction	1-1/2" NPT
Discharge	1-1/2" NPT
Impeller	Closed Dynamically Balanced SO G6,3
Stages	2.5
Seal Type	Mechanical Seal
Fluid Temp	158° F

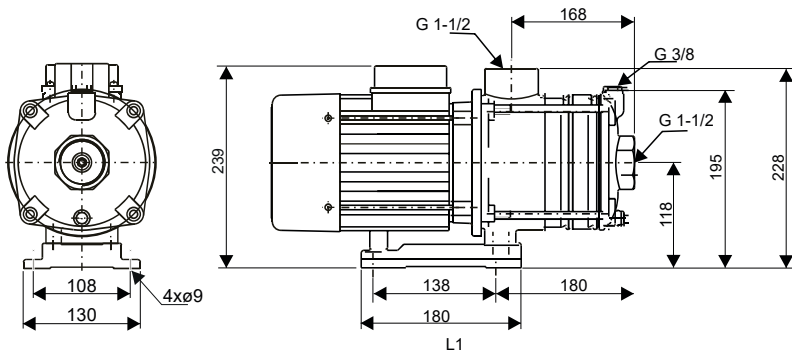
Applications
- Clean water supply
- Recirculation of water in cooling towers
- Machinery cooling / recirculation circuits
- Filling tank and drinkers
- Drip irrigation
- Booster System

Motor Features	
Motor Type	Electric
Power	3.0 Hp
Speed	3.450 RPM (nominal)
Isolation	Class F
Voltage	220 or 220/440 (Depending on model)
Service factor	1,0
Frequency	60Hz
Phases	1 or 3 (Depending on model)





Item	Part No.	Description	Qty	Item	Part No.	Description	Qty
1	CM8-25T-1	DRAIN PLUG	1	31	CM8-25T-31	STATOR	1
2	CM8-25T-2	O-RING Ø9,2X2,4	1	32	CM8-25T-32	MOTOR CASE	1
3	CM8-25T-3	PLASTIC CAP 1-1/2	2	33	CM8-25T-33	JUNCTION BOX GASKET	1
4	CM8-25T-4	O-RING Ø46X3,5	2	34	CM8-25T-34	CONNECTION TERMINAL	1
5	CM8-25T-5	TORNILLO SOCKET M8x130 G5 ZINC	4	35	CM8-25T-35	SERVED WASHER Ø4	3
6	CM8-25T-6	PRESSURE WASHER Ø8 ZINC	4	36	CM8-25T-36	FLAT WASHER Ø4 ZINC	3
7	CM8-25T-7	INLET CASE	1	37	CM8-25T-37	PHILLIPS SCREW M4x10	3
8	CM8-25T-8	O-RING Ø15X2,4	1	38	CM8-25T-38	M4 HEX NUT	9
9	CM8-25T-9	PRIMING PLUG G3/8	1	39	CM8-25T-39	PHILLIPS SCREW M4x12	1
10	CM8-25T-10	GASKET FLAT INLET COVER Ø143	1	40	CM8-25T-40	M5x12 PHILLIPS SCREW WITH WASHER	2
11	CM8-25T-11	VOLUTES INLET COVER	1	41	CM8-25T-41	DIAGRAMA DE CONEXIÓN	1
12	CM8-25T-12	NUT	3	42	CM8-25T-42	CONNECTION DIAGRAM	1
13	CM8-25T-13	LOCK WASHER	3	43	CM8-25T-43	PHILLIPS SCREW M4x12	4
14	CM8-25T-14	IMPELLER FIXING RING	1	44	CM8-25T-44	MOTOR PLATE	1
15	CM8-25T-15	FIRST IMPELLER	1	45	CM8-25T-45	CAPACITOR CORD PROTECTIVE TUBE	1
16	CM8-25T-16	VOLUTE PACKING Ø147X137X0,5	2	46	CM8-25T-46	CAPACITOR CABLE PRESSURE WASHER	1
17	CM8-25T-17	LONG SHIRT L=28,5	2	47	CM8-25T-47	CAPACITOR CABLE NUT	1
18	CM8-25T-18	VOLUTE	1	48	CM8-25T-48	PROTECTIVE COVER	1
19	CM8-25T-19	IMPELLER	2	49	CM8-25T-49	INLET LINE PRESSURE JACKET	1
20	CM8-25T-20	SHORT SHIRT L=9,5	1	50	CM8-25T-50	INLET LINE NUT	1
21	CM8-25T-21	WASHER	1	51	CM8-25T-51	WASHER	1
22	CM8-25T-22	MECHANICAL SEAL	1	52	CM8-25T-52	REAR ENGINE SHIELD	1
23	CM8-25T-23	FLAT GASKET Ø145X137X0,5	1	53	CM8-25T-53	HEX SCREW M5x160	4
24	CM8-25T-24	OUTPUT SECTION	1	54	CM8-25T-54	FAN	1
25	CM8-25T-25	RUBBER WASHER Ø20	1	55	CM8-25T-55	FAN FIXING RING	1
26	CM8-25T-26	MOTOR-PUMP COUPLING	1	56	CM8-25T-56	FAN COVER	1
27	CM8-25T-27	HEX SCREW M6x20 G5 ZINC	4	57	CM8-25T-57	PHILLIPS SCREW WITH WASHER M4x8	4
28	CM8-25T-28	BALL BEARING 6204	1	58	CM8-25T-58	BASE	1
29	CM8-25T-29	ROTOR	1	59	CM8-25T-59	PRESSURE WASHER Ø6 ZINC PLATED	4
30	CM8-25T-30	BALL BEARING 6203	1	60	CM8-25T-60	PRESSURE WASHER Ø6 ZINC PLATED	4



Dimensions in millimeters

Model	L1	D
VHSE 8 3-30-1 HF	453	170
VHSE 8 3-30 HF	412	165