

Technical Data Sheet

Compressed air motors F 416Ex, F 416-1Ex & F416-2Ex



More than just pumps



F 416 Ex
with trigger
operated valve



F 416-1 Ex
without valve



F 416-2 Ex
with ball valve

In combination with compressed air motors, FLUX drum and container pumps are very lightweight, easy to handle and extremely powerful at the same time. FLUX air motors are explosion-proof according to ATEX Directive 94/9/EC. PTB Registration No. 02 ATEX D022-1. These motors are recommended for transferring highly flammable liquids and are particularly suitable for applications requiring a powerful and easy to adjust motor. The speed can be adjusted via the filter-regulator-lubricator unit on models F 416 Ex and F 416-1 Ex or on a ball valve on model F 416-2 Ex.

Power at 86 psi operating pressure – 470 watt.
Power at 43 psi operating pressure – 170 watt.

Air motor, explosion-proof to II 2 G c IIC T6, easily variable speed control by adjusting either the air supply pressure or volume, motor overload-proof, air connection G ¼ (BSP ¼" female).

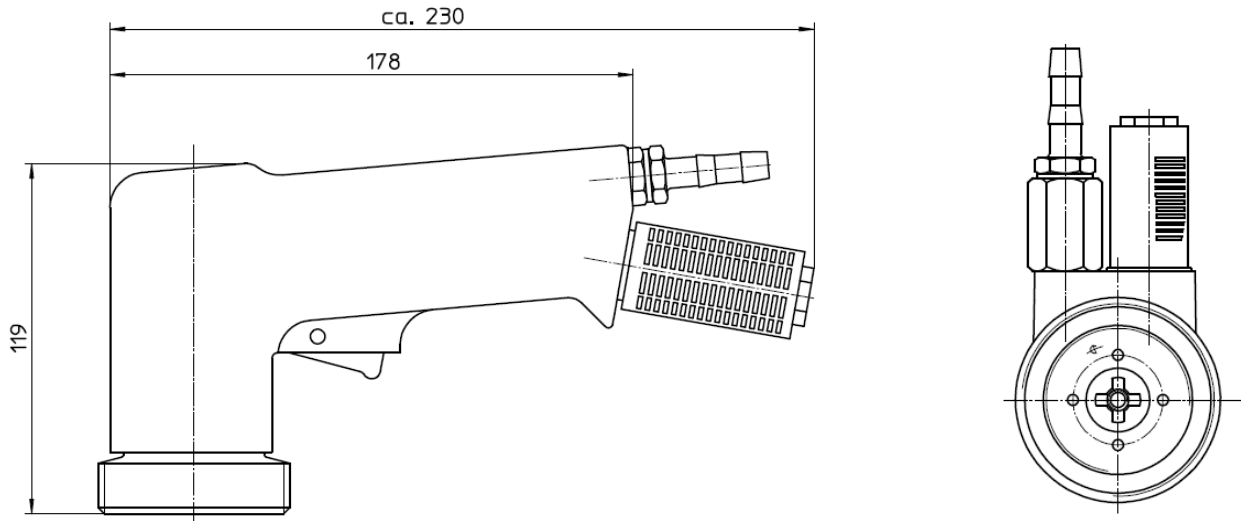
type	capacity	operating pressure max.	air consumption	version	weight	part no.
F 416 Ex	470 W	86 psi	17 cfm	with trigger operated valve	3.1 lbs	10-41600137
F 416-1 Ex	470 W	86 psi	17 cfm	without valve	2.1 lbs	10-41600138
F 416-2 Ex	470 W	86 psi	17 cfm	with ball valve	2.2 lbs	10-41600133
accessories:						part no.
filter-regulator lubricator unit	consisting of water separator, pressure gauge and lubricator. Thread on inlet and outlet G ¼ (BSP ¼" female)					10-00110100
compressed air hose	DN 10, electrically conductive (blue)					10-00110098
hose coupling	brass, spring-actuated, with hose nozzle DN 10 for compressed air hose					10-95913066
nipple	brass, DN 10 – G ¼ A (BSP ¼" male) for hose coupling					10-95913065
hose nozzle	brass, DN 10 – G ¼ A (BSP ¼" male) for compressed air hose					10-95905022
earth (ground) wire with crocodile clip	20 ft long 9.8 ft long, reinforced version					10-93190023 10-93190015

Technical Data Sheet

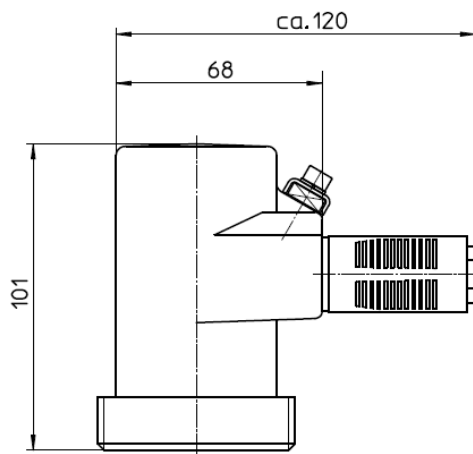
Commutator motors F416Ex, F416-1Ex & F416-2Ex

Dimensional drawing (shown in mm)

F416Ex



F416-1Ex



F416-2Ex

