

## IGP-M SERIES

### APPLICATIONS

Franklin Electric's IGP-M Series grinder pumps are ideal for the toughest residential and commercial wastewater applications, ranging from sewage lift stations to low pressure sewer systems used with housing developments, lake communities or anywhere high vertical lift or long force mains are present

### FEATURES

- Powerful 2 hp, 3450 rpm motor to handle the demands of grinding domestic sewage
- Externally-mounted start components\*
- Carbon/Ceramic mechanical seal
- Deflection-resistant, short motor shaft
- Corrosion-resistant brass impeller minimizes downtime and maintenance
- Seven-vane, angled face, non-clogging, balanced impeller
- Tight cutting clearances for superior grinding at 414,000 cuts per minute
- Epoxy-coated finish for corrosion resistance and durability
- Built-in overload protection prevents over-current and over-temperature damage

\*The IGP Manual Series requires a specific control panel or capacitor kit from FPS, matched to the pump for proper operation and third-party approval.

### MODEL INFORMATION

Item No.	Model	HP	Volts	Hz	Phase	Full Load Amps/Watts	Cord
515864*	IGP-M231-15	2	208-230	60	1	13.9/3200	15'
515879	IGP-M231-30	2	208-230	60	1	13.9/3200	30'
515870	IGP-M233-30	2	208-230	60	3	10/1300	30'
515871	IGP-M463-30	2	460	60	3	4.5/1025	30'

\*Does not include leg kit

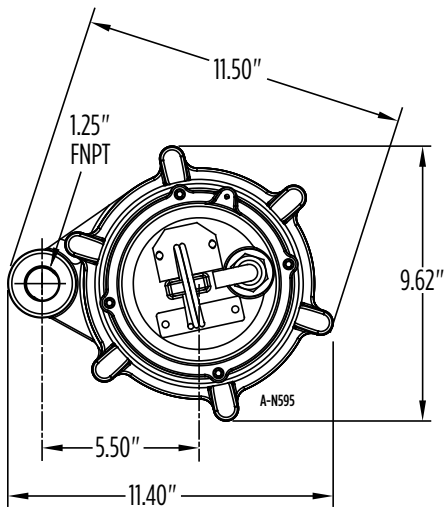
Performance (GPM @ Head)						Shut-Off	PSI	Weight (lbs)
20'	40'	60'	80'	100'	120'			
32	31	30	25	20	10	130'	56	75



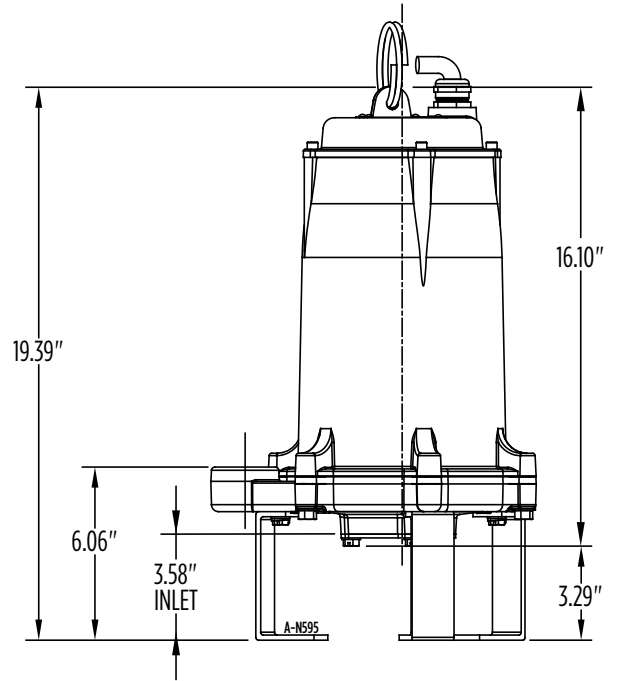
(U.S. Patent No. 7,237,736)

# IGP-M SERIES

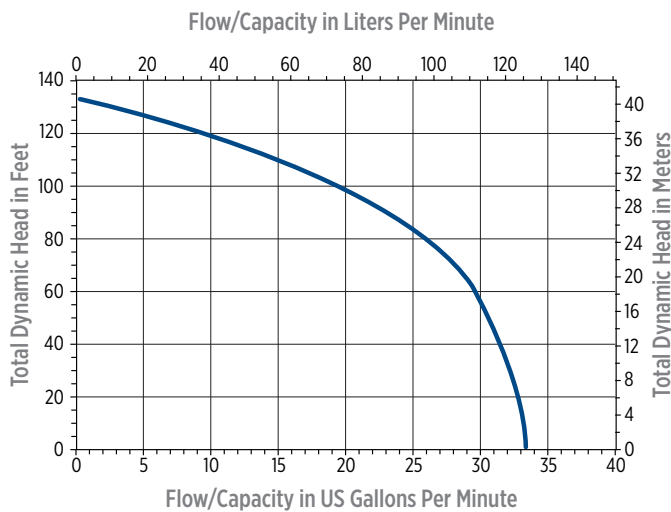
## DIMENSIONS



Shown with optional leg kit (599078)



## PERFORMANCE



## CONSTRUCTION

<b>Discharge</b>	1.25" Vertical FNPT
<b>Motor Cover</b>	Cast iron with epoxy coating
<b>Motor Cover O-ring</b>	Nitrile
<b>Motor Design</b>	Single-phase, capacitor start, capacitor run or three-phase
<b>Insulation Class</b>	F
<b>Overload Protection</b>	Internal, on winding thermal protector
<b>Motor Shaft</b>	*AISI 300 series stainless steel
<b>Ball Bearing-Upper</b>	Single row ball, 6203
<b>Ball Bearing-Lower</b>	Single row ball, 6306
<b>Seal Housing</b>	Cast iron with epoxy coating
<b>Mechanical Seal</b>	Carbon/Ceramic
<b>Volute</b>	Cast iron with epoxy coating
<b>Impeller</b>	Brass
<b>Rotating Cutter</b>	AISI 440C stainless steel, through-hardened to Rockwell 55-60C
<b>Stationary Cutter</b>	AISI 440C stainless steel, hardened to Rockwell 55-60C
<b>External Hardware</b>	300 series stainless steel
<b>Power Cable</b>	Type SOW-A or SOW 14/4 AWG

\* In contact with fluid pumped