

Metering pumps

Model FM

Doseuro model FM are the most economical version Mechanical Diaphragm dosing pumps.

Are the best solution when:

PUMPED LIQUID CONTAINS SMALL AMOUNTS OF SUSPENDED SOLIDS

PUMPED LIQUID IS HAZARDOUS

NO LEAKAGE IS ALLOWED

HIGH PRESSURE IS NOT REQUIRED



Applications

Injection of chemicals as coagulant, fertilizer, acids, polymers and much more.

Commonly used in the following applications:

- Fertigation
- Water treatment
- Food industry
- Cooling towers

Features

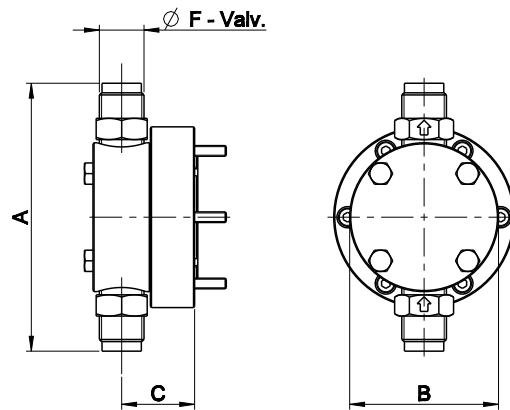
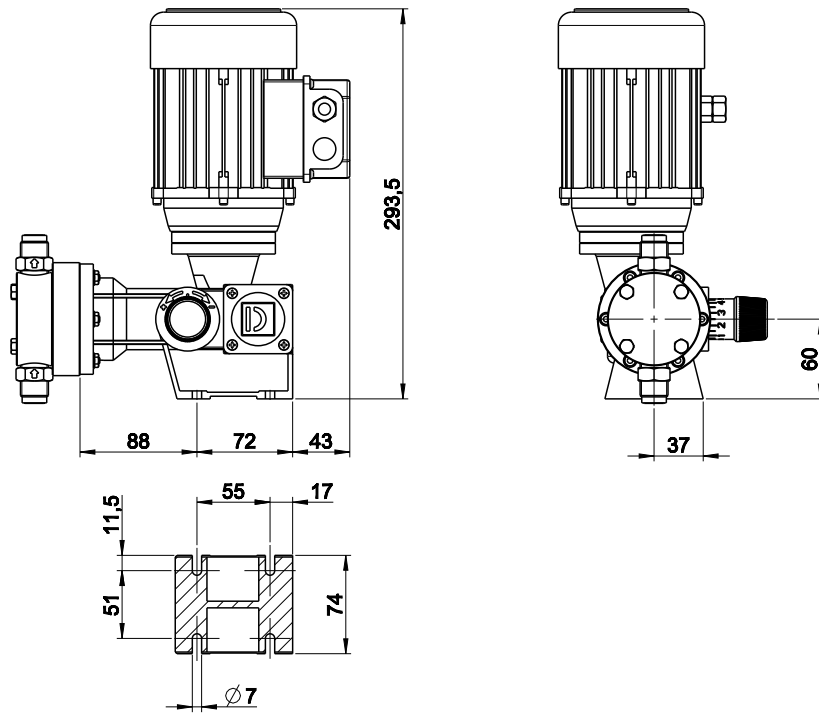
- BSPPm valve connections are standard.
- Reinforced PP casing for gearbox.
- Endless screw worm gear box supported by bearings and fully lubricated by grease.
- Fitted as standard with 0,09 kW high quality 4 pole electric motor that conform to; UNEL-MEC specifications. Standard 3 phase voltages are 220-240V(Δ) 380-415 (Y) 50Hz / 220-280V(Δ) 380-480 (Y) 60Hz. Standard 1 phase voltage 230V-50Hz. Motors are available to meet a wide range of alternative specifications including: different voltages, frequencies, higher insulation standards and more.
- Manual Stroke adjustment can be made with the pump at rest or in operation.
- Components in wetted areas are available in a wide range of materials suitable for chemical injection applications.
- PTFE coated diaphragm.
- Installation kit included (for pump with wetted parts in PP or PVC).

Pump model	Type	Reducer ratio (SPM)		Capacity (Lt/H)		Max pressure (Bar)	Connection	Motor power
		50 Hz	60 Hz	50 Hz	60 Hz			
FM050N-30	H	41	50	4,5	5,4	10	1/2" BSP male	0,09 kW
	F	58	70	7	8,4			
	D	82	98	9,5	11,4			
	B	116		14				
FM050N- 50	H	41	50	17	20,4	5	1/2" BSP male	0,09 kW
	F	58	70	23	27,6			
	D	82	98	34	40,8			
	B	116		47				

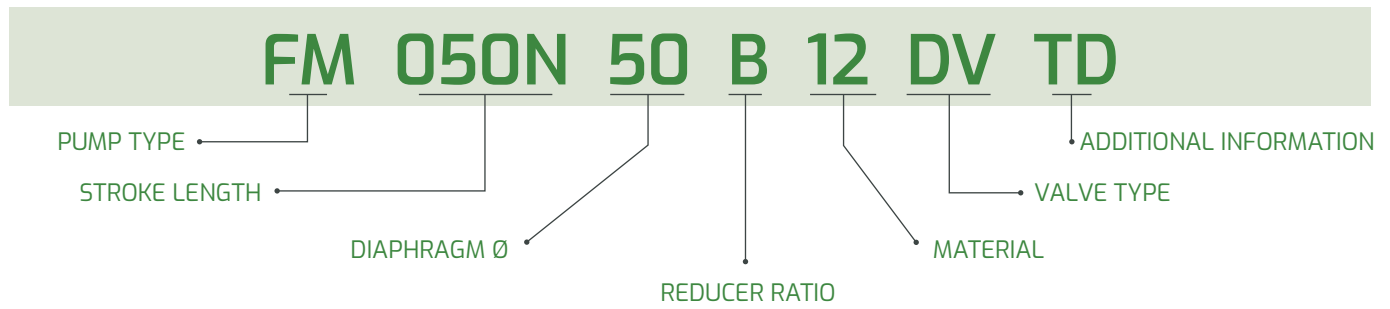
Wetted parts code for standard materials

Standard construction materials (wetted parts only)						
Material codes	Pump head	Diaphragm	Valve ball	Valve seat	Valve gasket	
41	S.S.316L	PTFE	S.S.316L	S.S.316L	FPM	
43	PVC	PTFE	Pyrex	PVDF	FPM	
20	PP	PTFE	Pyrex	PVDF	FPM	
38	PVDF	PTFE	Pyrex	PVDF	FPM	

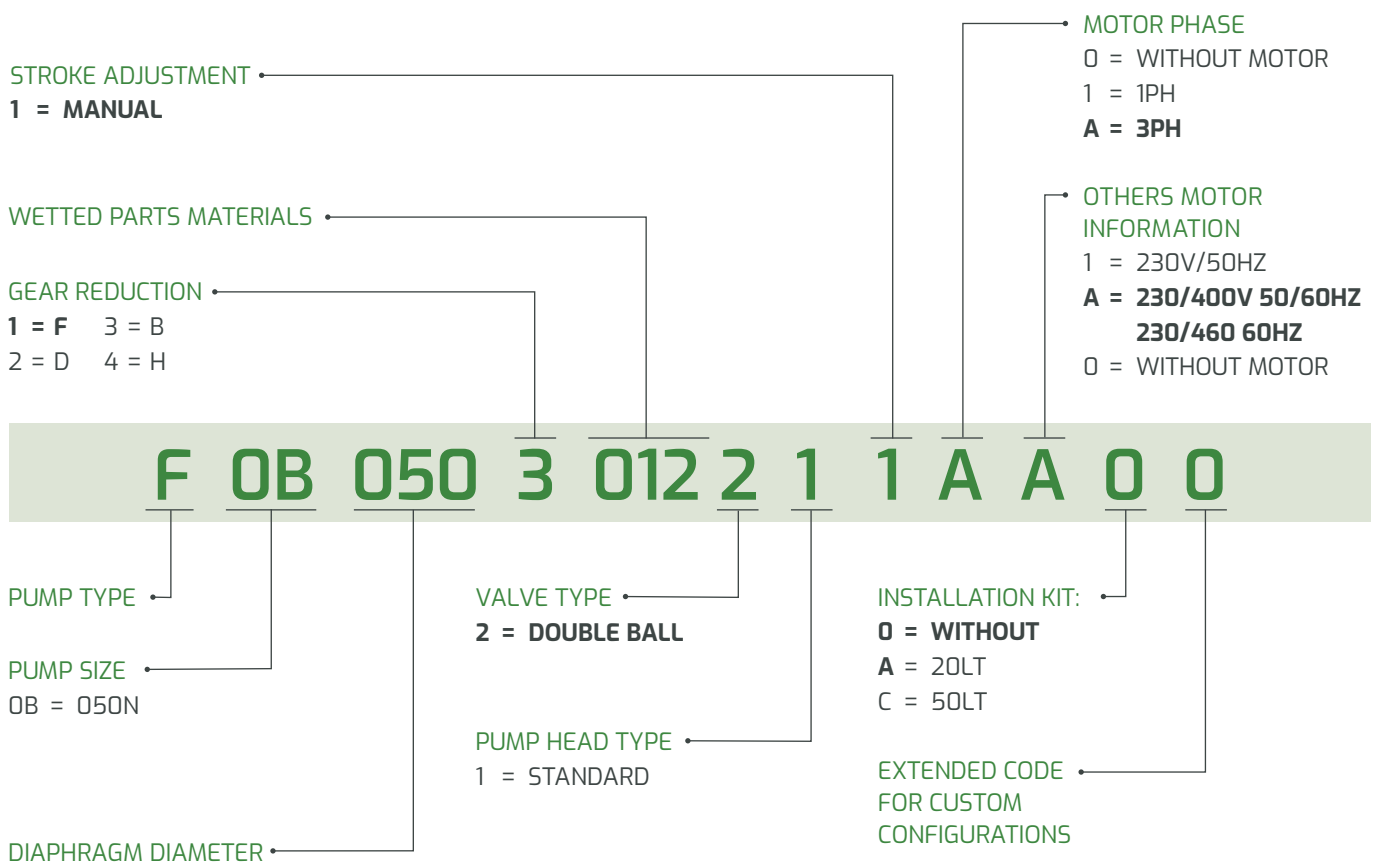
FM 050



Pump model	Execution INOX					Execution Plastic				
	A	B	C	ϕF	Kg	A	B	C	ϕF	Kg
FM 050 - 30	126	70	34	1/2" Gm	5,5	141	85	34	1/2" Gm	5
FM 050 - 50	141	85	15	1/2" Gm	5,5	164	90	21,5	1/2" Gm	5



How to read the pump code



Wetted parts code for standard materials

Standard construction materials (wetted parts only)

Material codes	Pump head	Diaphragm	Valve ball	Valve seat	Valve gasket
11	S.S.316L	PTFE coated	S.S.316L	S.S.316L	FPM
12	PP	PTFE coated	Pyrex	PVDF	FPM
13	PVC	PTFE coated	Pyrex	PVDF	FPM
16	PVC	PTFE coated	S.S.316L	PVDF	FPM
23	PVDF	PTFE coated	Pyrex	PVDF	FPM

Data is for reference only and subject to change without notice.

