

Model: PF15CCE

Features:

Self-priming centrifugal pumps designed for marine, municipal and industrial applications.

- **SUCTION/DISCHARGE:** 3" x 3" NPT, Female
- **LIQUID TEMPERATURE:** 160°F Continuous
- **INTERMEDIATE:** Cast Iron, ASTM, Class 30
- **VOLUTE:** Cast Iron, ASTM, Class 30
- **BODY:** Cast Iron, ASTM, Class 30
- **BASE:** Steel
- **PAINT:** Air dry enamel
- **SQUARE RINGS:** Buna-N
- **SHAFT:** 1035 cold rolled steel with bronze sleeve
- **HARDWARE:** Steel & Stainless steel
- **IMPELLER:** Open, trash type, dynamically balanced. 3/4" Dia., Spherical Solids, Material: Cast Iron
- **SEAL:** Design: Mechanical, Self Lubricated, 1.25" Dia. Material: Carbon/Ni-Resist/Buna-N
- **CHECK VALVE:** Valve Flap-Neoprene, Weight- Steel
- **MOTOR:** Open Drip Proof - C-Face, Footed, Squirrel Cage Induction. 40°C Ambient, Insulation: Class F
or
TEFC - C-Face, Squirrel Cage Induction. 40°C Ambient, Insulation: Class F
- **THREE PHASE:** Dual-Voltage 230/460, Usable at 208
- **OPTIONAL:** Bronze Fitted, Volute and Impeller, IEEE-45 TEFC Motors
- **WARRANTY:** 1 year



WARNING: CANCER AND REPRODUCTIVE HARM-
WWW.P65WARNINGS.CA.GOV



**Self-Priming,
Close Coupled Pumps
7.5HP
3450RPM**

Self-Priming Centrifugal Pumps - PFCCE - 3" x 3" NPT



Power-Flo Pumps & Systems

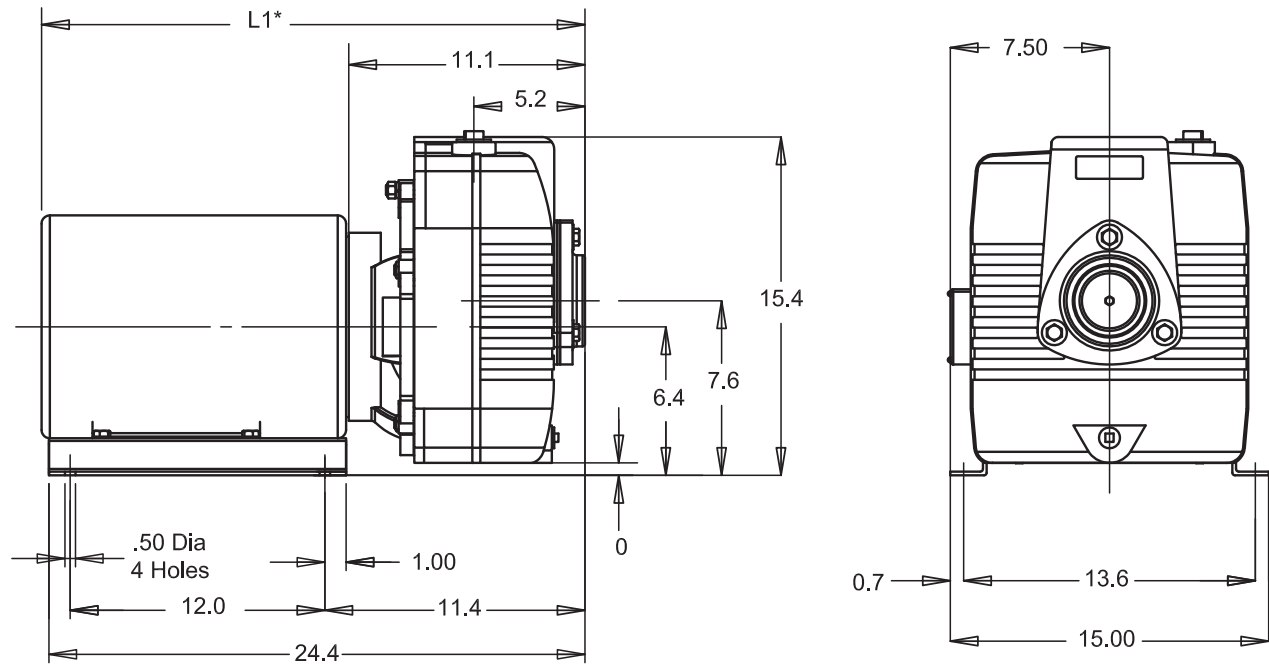
a Power-Flo Technologies company

877-24PUMPS • fax: 516-812-6897 • www.powerflopumps.com

Sect.
SP
Page
7
Rev.
02/2021

Model: PF15CCE

Self-Priming Centrifugal Pumps - PFCCE - 3" x 3" NPT

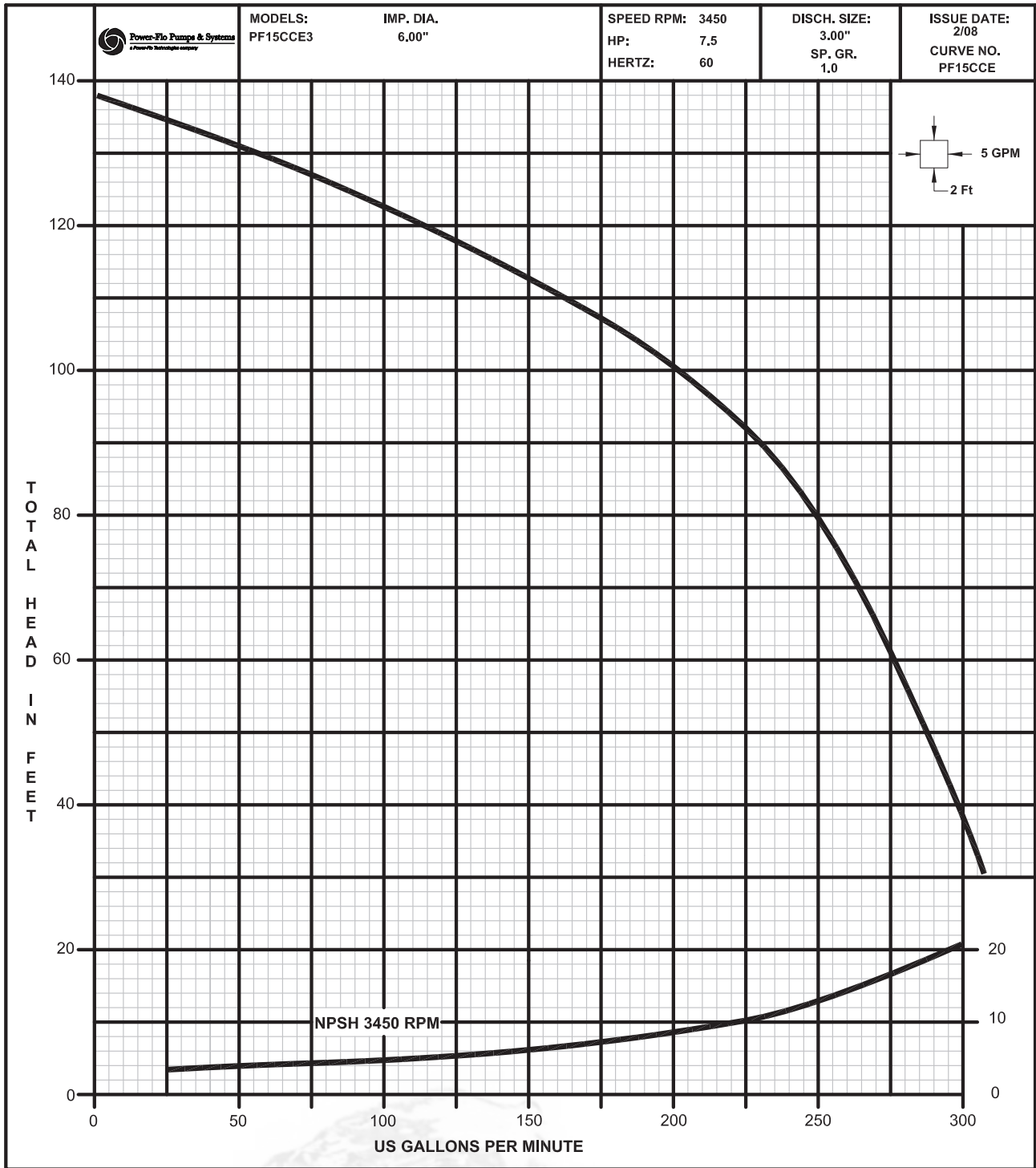


Model	HP	Enclosure	Frame	Volt Usable at 208	Phase	Hz	RPM	Full Load Amps*	L1* inches	Weight lbs
PF15CCE3	7.5	ODP	184T	208-230/460v	3	60	3450	18.8 - 17.4/8.7	23.22	248
PF15CCE3-T	7.5	TEFC	184T	208-230/460v	3	60	3450	18.5-17.4/8.7	26.28	251

(*) Overall length of unit and AMPS is subject to the Motor Manufacture.
 For Bronze Fitted add suffix (-BF or -TBF for TEFC) to model number.



Model: PF15CCE



Self-Priming Centrifugal Pumps - PFCCE - 3" x 3" NPT



Power-Flo Pumps & Systems

a Power-Flo Technologies company

877-24PUMPS • fax: 516-812-6897 • www.powerflopumps.com

Sect.
SP
Page
9
Rev.
02/2021