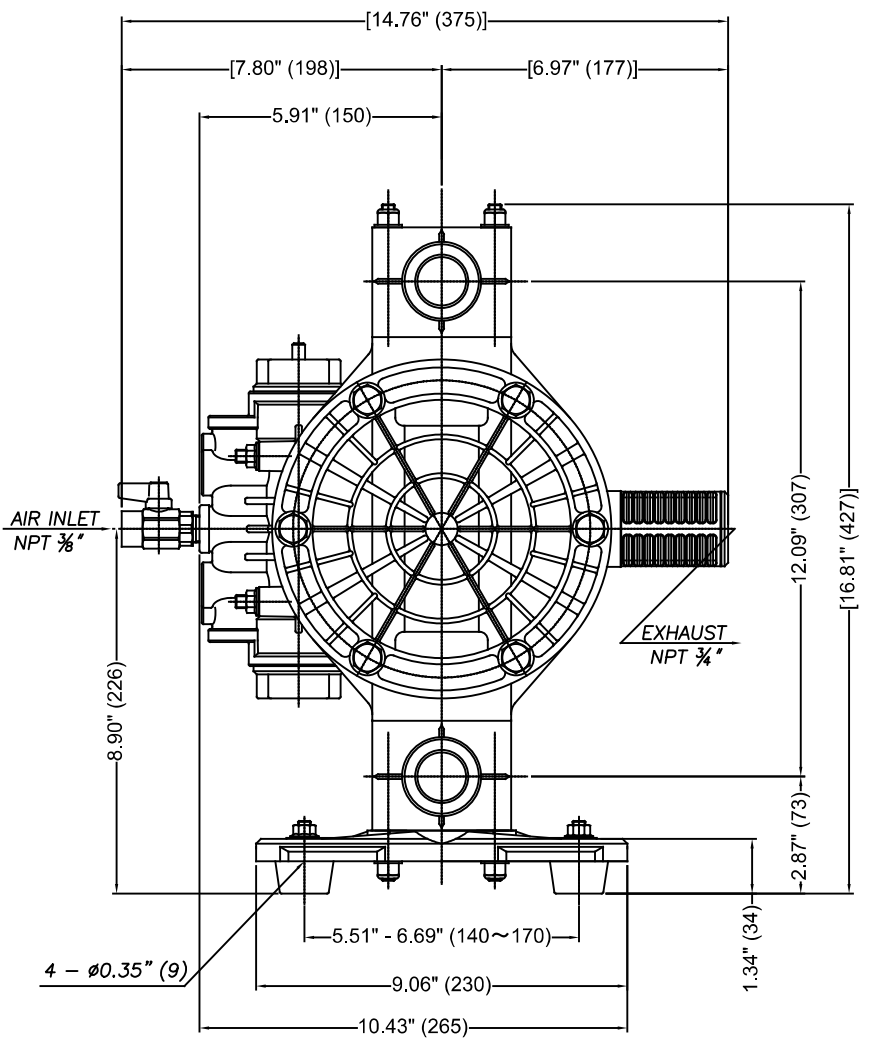
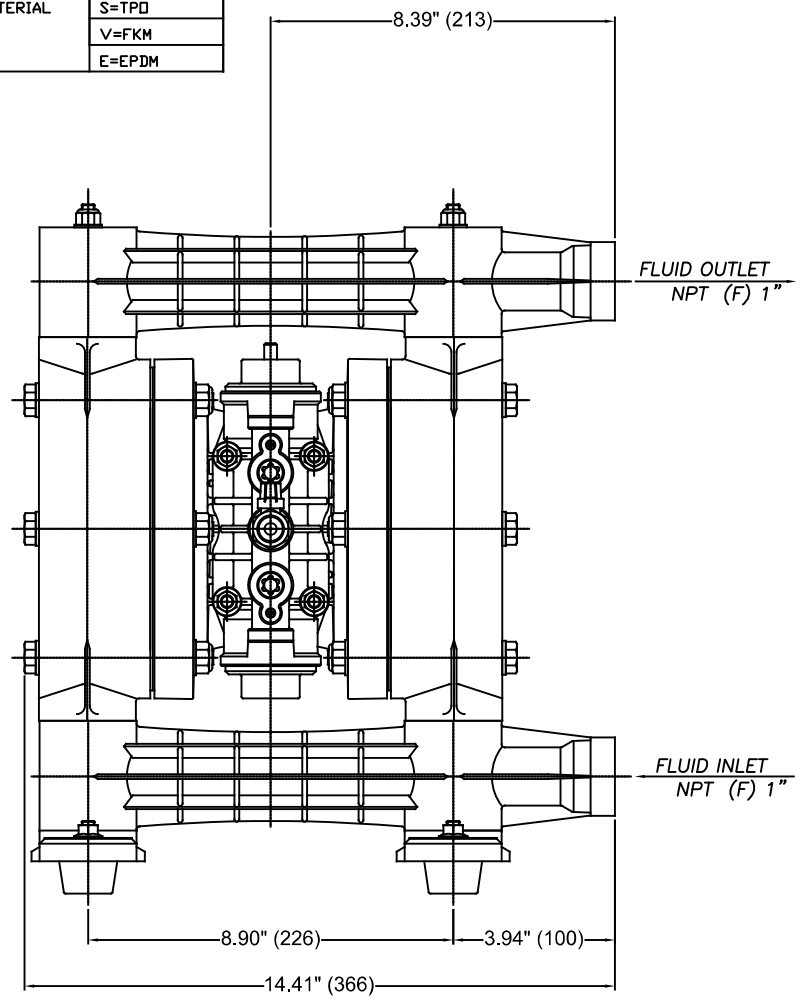



Materials of Construction	
PUMP BODY MATERIAL	PVDF
	T=PTFE
	H=TPEE
DIAPHRAGM MATERIAL	S=TPD
	V=FKM
	E=EPDM

REVISIONS			
REV	DESCRIPTION	DATE	APPROVED
A	RELEASED	01/15/2026	JP



NOTES:  
1. SOME FEATURES MAY VARY SLIGHTLY.

<b>PROPRIETARY</b> THIS DRAWING CONTAINS CONFIDENTIAL INFORMATION PROPRIETARY TO IWAKI AMERICA. IT MUST NOT BE REPRODUCED OR FORWARDED TO OTHERS OR USED IN ANY OTHER WAY, IN WHOLE OR IN PART, UNLESS AUTHORIZED IN WRITING BY IWAKI AMERICA.		<b>TOLERANCES</b> DIMENSIONS IN INCHES UNLESS OTHERWISE NOTED X = .050 .XX = .010 .XXX = .00		 www.IwakiAir.com	5 Boynton Rd. Hopping Brook Park Holliston, MA 01746 (508) 429-1440	
MATERIAL SEE CHART		REBURR AND BREAK ALL SHARP EDGES				
BY BA	DATE 01/15/2026	SIZE B	DWG NO. TC-X00197	DESCRIPTION TC-X250V_-N	REV A	
APPROVED JP	DATE 01/15/2026	SCALE: FULL	THIRD ANGLE PROJECTION	SHEET: 1 OF 1		

4

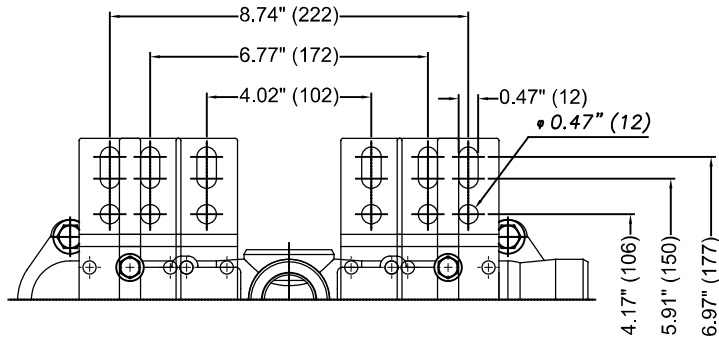
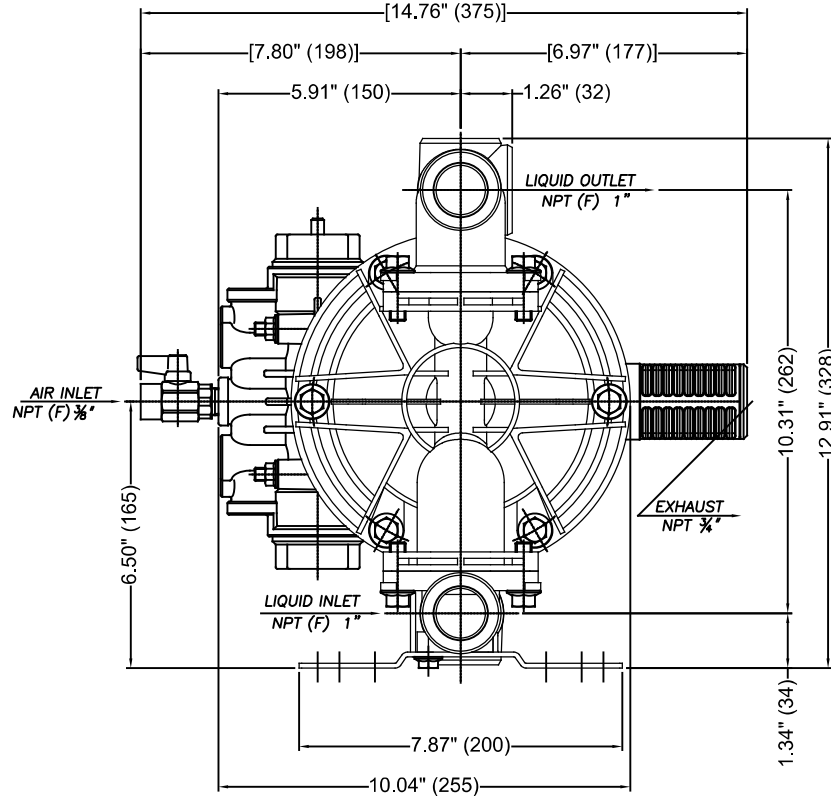
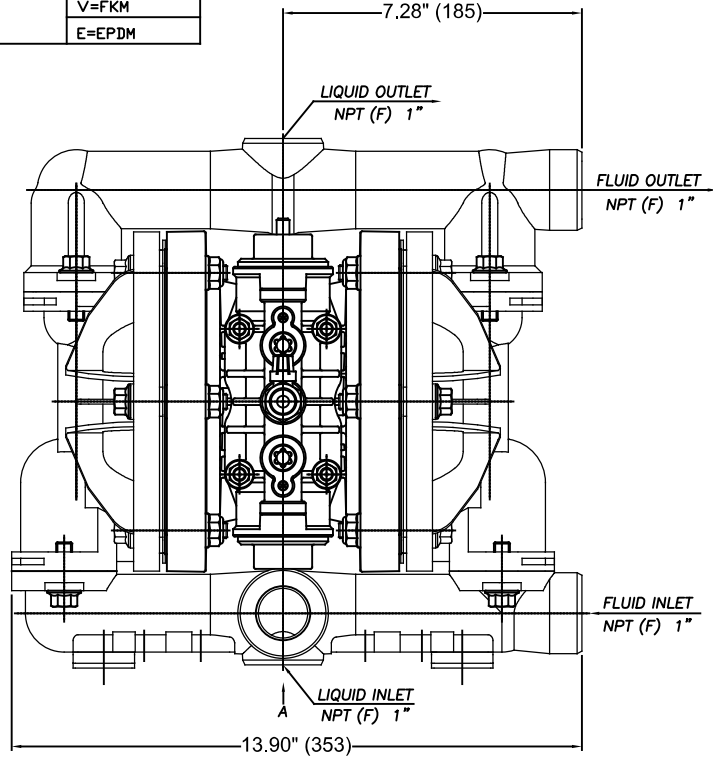
3

2

1

Materials of Construction	
PUMP BODY MATERIAL	AL
DIAPHRAGM MATERIAL	C=CR
	N=NBR
	T=PTFE
	H=TPEE
	S=TPD
	V=FKM
	E=EPDM

REVISIONS			
REV	DESCRIPTION	DATE	APPROVED
A	RELEASED	01/15/2026	JP



NOTES:  
1. SOME FEATURES MAY VARY SLIGHTLY.

<b>PROPRIETARY</b> THIS DRAWING CONTAINS CONFIDENTIAL INFORMATION PROPRIETARY TO IWAKI AMERICA. IT MUST NOT BE REPRODUCED OR FORWARDED TO OTHERS OR USED IN ANY OTHER WAY, IN WHOLE OR IN PART, UNLESS AUTHORIZED IN WRITING BY IWAKI AMERICA.		<b>TOLERANCES</b> DIMENSIONS IN INCHES UNLESS OTHERWISE NOTED X = .050 .XX = .010 .XXX = .005 DEBURR AND BREAK ALL SHARP EDGES		 www.IwakiAir.com		5 Boynton Rd. Hopping Brook Park Holliston, MA 01746 (508) 429-1440	
MATERIAL: SEE CHART				UNLESS OTHERWISE NOTED			
BY: BA	DATE: 01/15/2026	SIZE: B	DWG NO.: TC-X00198	DESCRIPTION: TC-X250A_-N		REV: A	
APPROVED: JP	DATE: 01/15/2026	SCALE: FULL		THIRD ANGLE PROJECTION		SHEET: 1 OF 1	

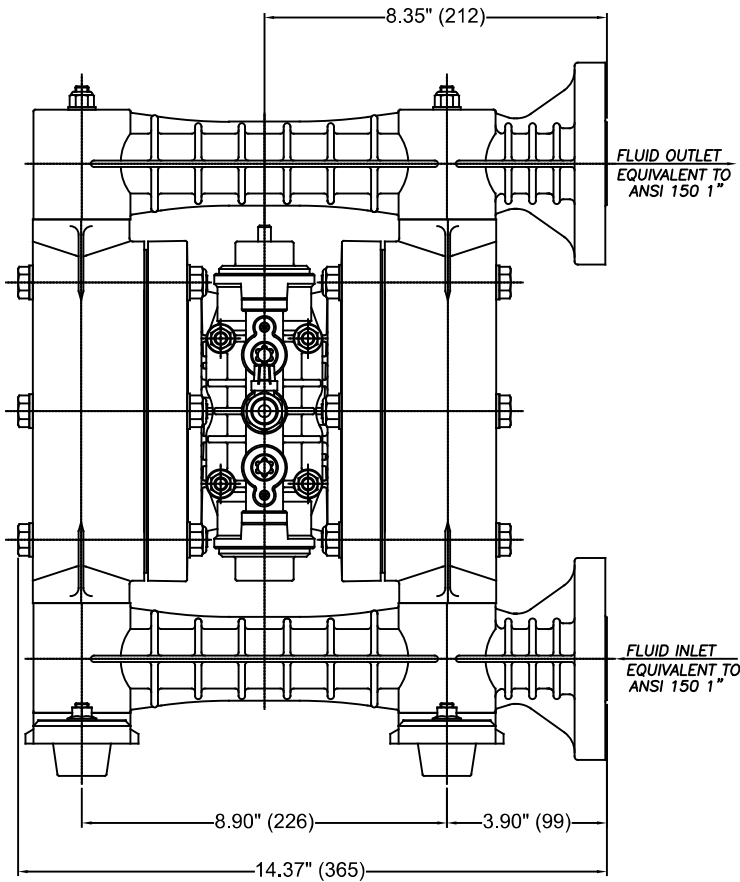
4

3

2

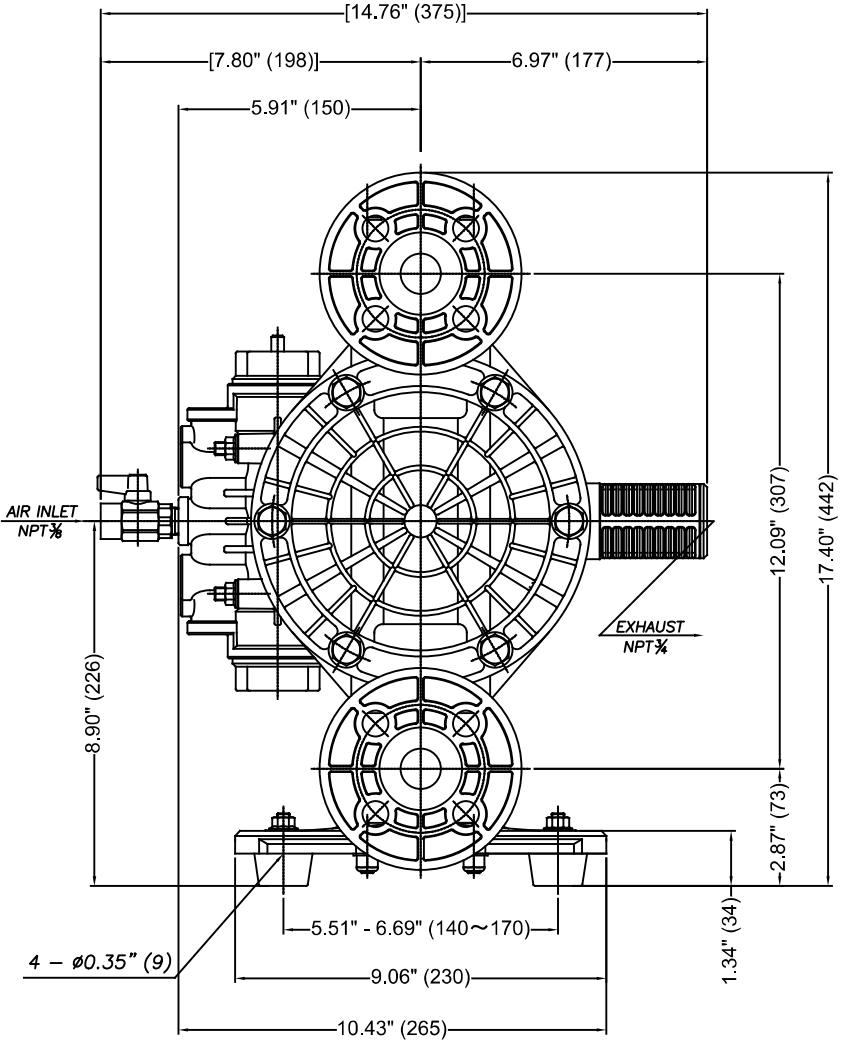
1

Materials of Construction	
PUMP BODY MATERIAL	PVDF
	T=PTFE
	H=TPEE
DIAPHRAGM MATERIAL	S=TPD
	V=FKM
	E=EPDM




AIR INLET  
NPT 3/8"

EXHAUST  
NPT 3/8"

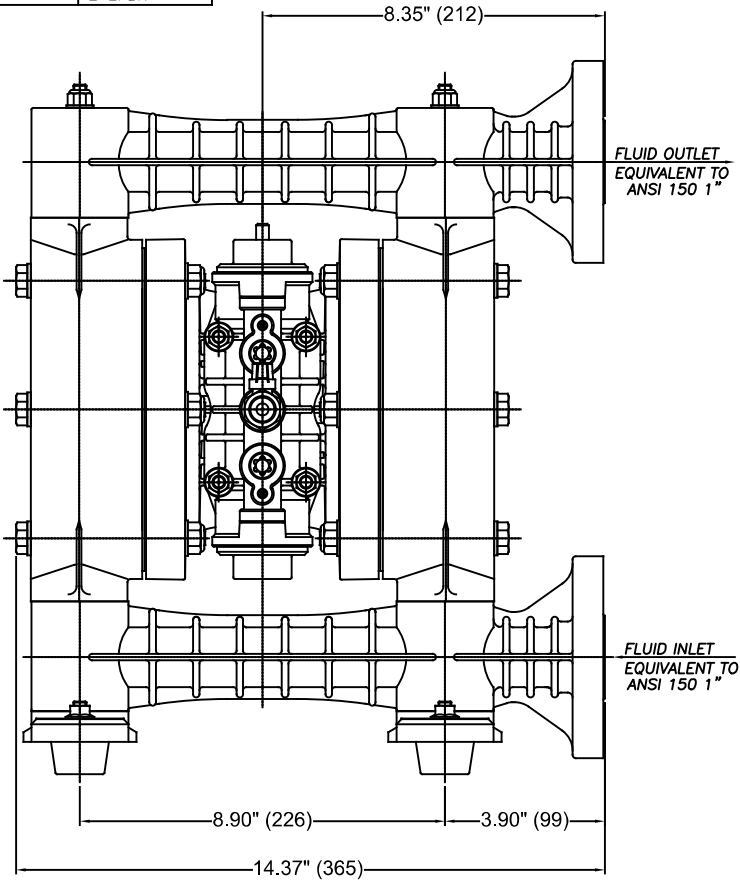


REVISIONS			
REV	DESCRIPTION	DATE	APPROVED
A	RELEASED	01/15/2026	JP

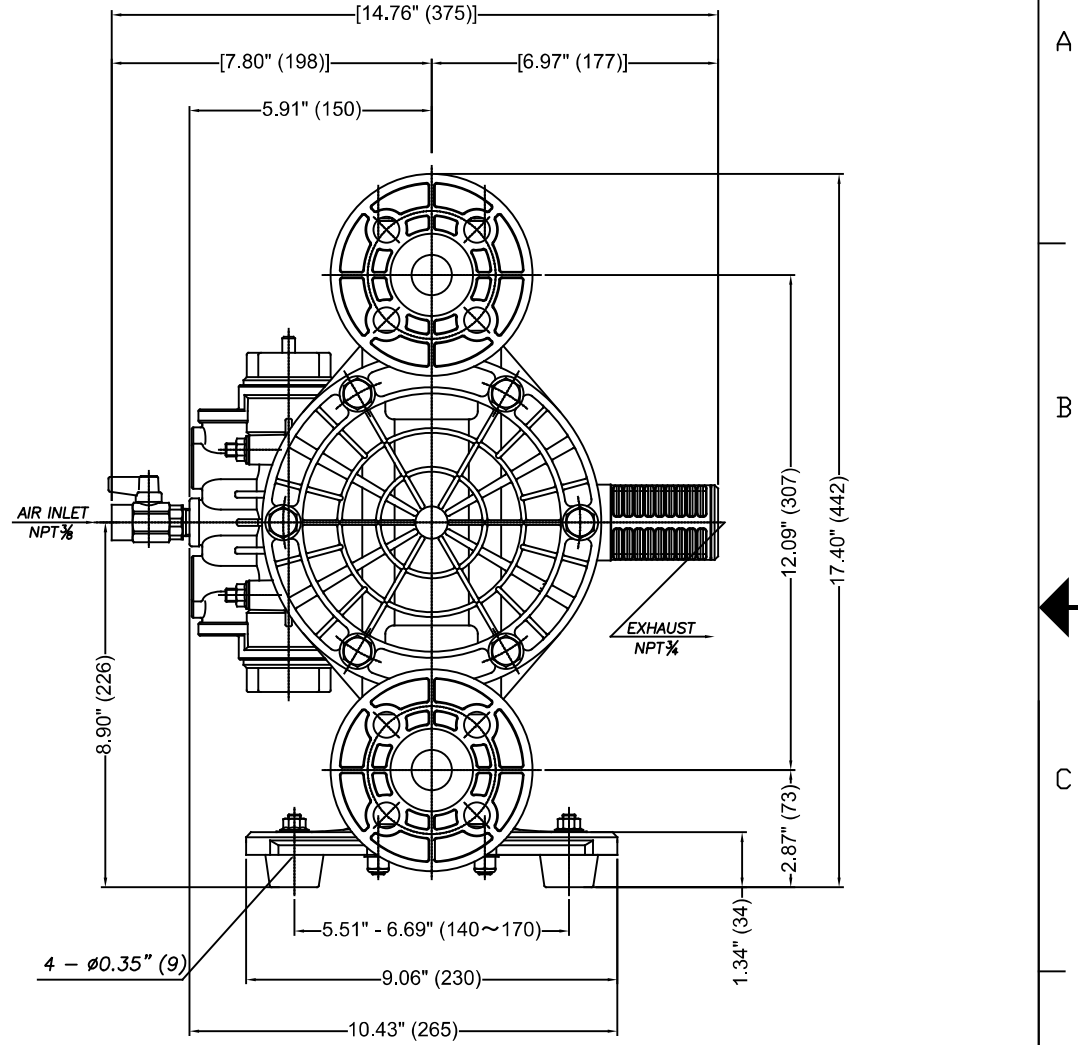
NOTES:  
1. SOME FEATURES MAY VARY SLIGHTLY.

<b>PROPRIETARY</b> THIS DRAWING CONTAINS CONFIDENTIAL INFORMATION PROPRIETARY TO IWAKI AMERICA. IT MUST NOT BE REPRODUCED OR FORWARDED TO OTHERS OR USED IN ANY OTHER WAY, IN WHOLE OR IN PART, UNLESS AUTHORIZED IN WRITING BY IWAKI AMERICA.		<b>TOLERANCES</b> DIMENSIONS IN INCHES UNLESS OTHERWISE NOTED X = .050 .XX = .010 .XXX = .00		 www.IwakiAir.com	5 Boynton Rd. Hopping Brook Park Holliston, MA 01746 (508) 429-1440	
MATERIAL SEE CHART		REBURR AND BREAK ALL SHARP EDGES				
BY BA	DATE 01/15/2026	SIZE B	DWG NO. TC-X00196	DESCRIPTION TC-X250V_A		REV A
APPROVED JP	DATE 01/15/2026	SCALE: FULL	THIRD ANGLE PROJECTION	SHEET: 1 OF 1		


Materials of Construction	
PUMP BODY MATERIAL	PPG
	C=CR
	N=NBR
	T=PTFE
DIAPHRAGM MATERIAL	H=TPEE
	S=TPD
	V=FKM
	E=EPDM



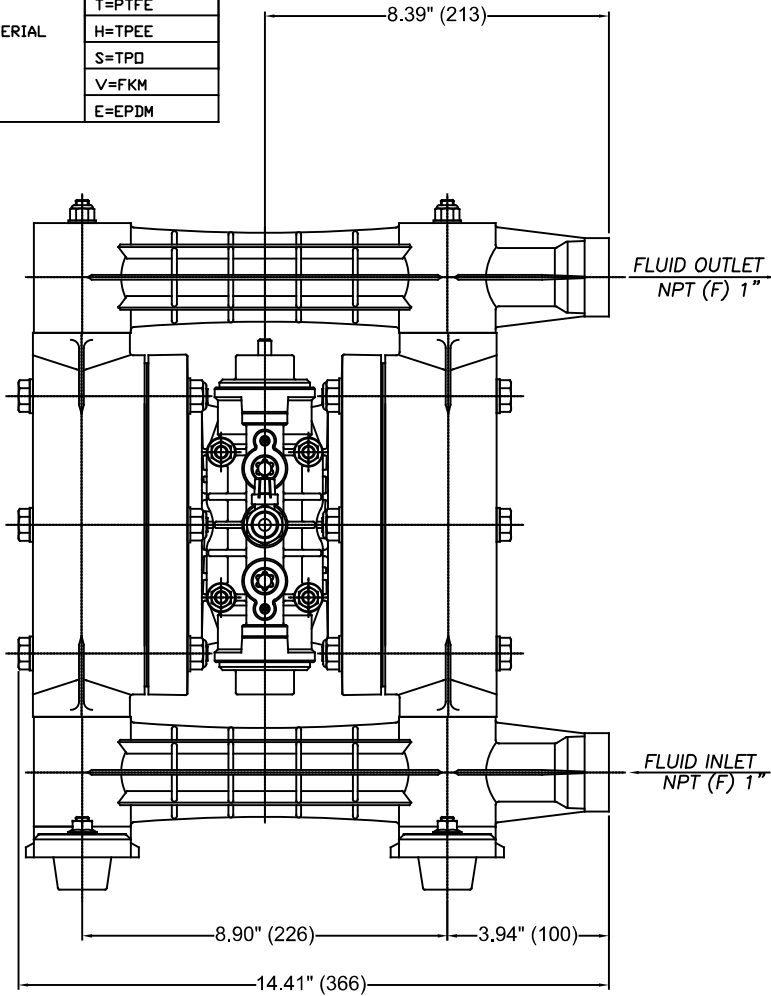
REVISIONS			
REV	DESCRIPTION	DATE	APPROVED
A	RELEASED	01/15/2026	JP



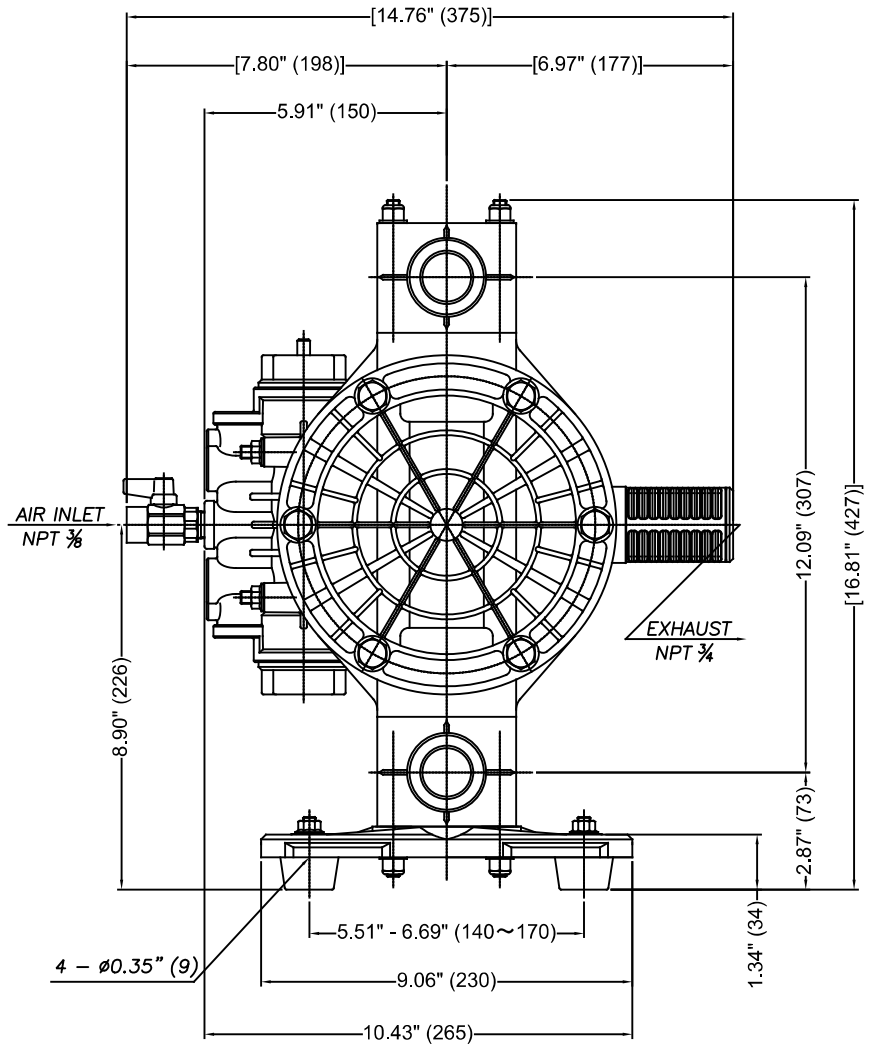
NOTES:  
1. SOME FEATURES MAY VARY SLIGHTLY.

<b>PROPRIETARY</b> THIS DRAWING CONTAINS CONFIDENTIAL INFORMATION PROPRIETARY TO IWAKI AMERICA. IT MUST NOT BE REPRODUCED OR FORWARDED TO OTHERS OR USED IN ANY OTHER WAY, IN WHOLE OR IN PART, UNLESS AUTHORIZED IN WRITING BY IWAKI AMERICA.		<b>TOLERANCES</b> DIMENSIONS IN INCHES UNLESS NOTED UNLESS OTHERWISE NOTED X = .050 .XX = .010 .XXX = .00 REBURR AND BREAK ALL SHARP EDGES		 <a href="http://www.IwakiAir.com">www.IwakiAir.com</a>		5 Boynton Rd. Hopping Brook Park Holliston, MA 01746 (508) 429-1440	
MATERIAL SEE CHART				SIZE B	DWG NO. TC-X00194	DESCRIPTION TC-X250G_A	REV A
BY BA	DATE 01/15/2026	SCALE: FULL	THIRD ANGLE PROJECTION	SHEET: 1 OF 1			


Materials of Construction	
PUMP BODY MATERIAL	PPG
DIAPHRAGM MATERIAL	C=CR
	N=NBR
	T=PTFE
	H=TPEE
	S=TPD
	V=FKM
E=EPDM	



REVISIONS			
REV	DESCRIPTION	DATE	APPROVED
A	RELEASED	01/15/2026	JP

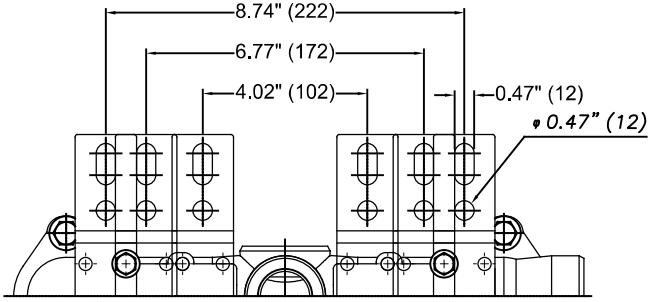
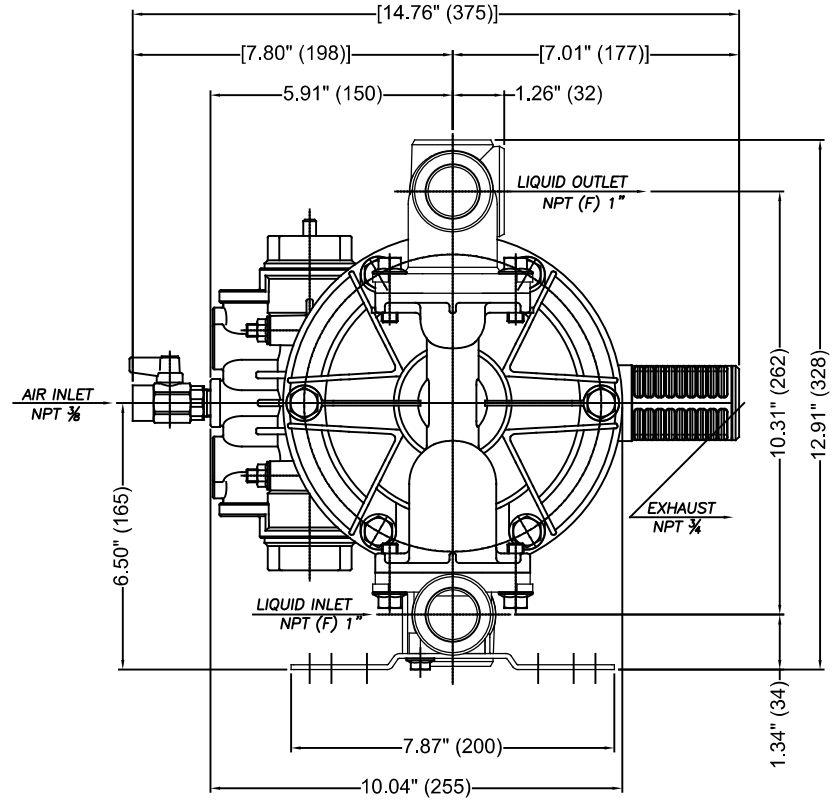
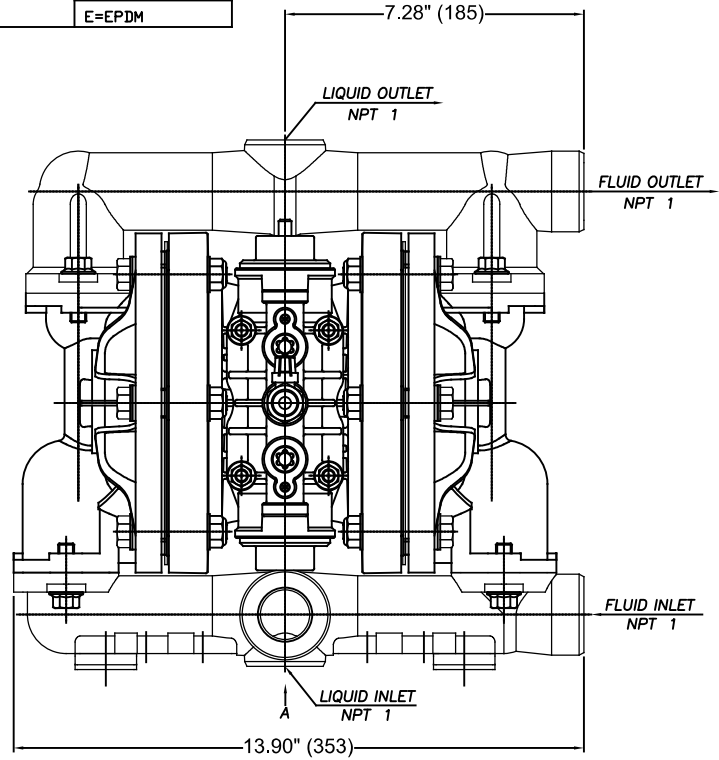


NOTES:  
1. SOME FEATURES MAY VARY SLIGHTLY.

<b>PROPRIETARY</b> THIS DRAWING CONTAINS CONFIDENTIAL INFORMATION PROPRIETARY TO IWAKI AMERICA. IT MUST NOT BE REPRODUCED OR FORWARDED TO OTHERS OR USED IN ANY OTHER WAY, IN WHOLE OR IN PART, UNLESS AUTHORIZED IN WRITING BY IWAKI AMERICA.		<b>TOLERANCES</b> DIMENSIONS IN INCHES UNLESS OTHERWISE NOTED X = .050 .XX = .010 .XXX = .00		 <a href="http://www.IwakiAir.com">www.IwakiAir.com</a>	5 Boynton Rd. Hopping Brook Park Holliston, MA 01746 (508) 429-1440
MATERIAL SEE CHART		REBURR AND BREAK ALL SHARP EDGES			
BY BA	DATE 01/15/2026	SIZE B	DWG NO. TC-X00195	DESCRIPTION TC-X250G_N	REV A
APPROVED JP	DATE 01/15/2026	SCALE: FULL	THIRD ANGLE PROJECTION	SHEET: 1 OF 1	

Materials of Construction	
PUMP BODY MATERIAL	SUS (CAST IRON)
DIAPHRAGM MATERIAL	C=CR
	N=NBR
	T=PTFE
	H=TPEE
	S=TPD
	V=FKM
	E=EPDM

REVISIONS			
REV	DESCRIPTION	DATE	APPROVED
A	RELEASED	01/15/2026	JP



NOTES:  
1. SOME FEATURES MAY VARY SLIGHTLY.

<b>PROPRIETARY</b> THIS DRAWING CONTAINS CONFIDENTIAL INFORMATION PROPRIETARY TO IWAKI AMERICA. IT MUST NOT BE REPRODUCED OR FORWARDED TO OTHERS OR USED IN ANY OTHER WAY, IN WHOLE OR IN PART, UNLESS AUTHORIZED IN WRITING BY IWAKI AMERICA.		<b>TOLERANCES</b> DIMENSIONS IN INCHES UNLESS OTHERWISE NOTED X = .050 .XX = .010 .XXX = .005 DEBURR AND BREAK ALL SHARP EDGES		 www.IwakiAir.com		5 Boynton Rd. Hopping Brook Park Holliston, MA 01746 (508) 429-1440					
MATERIAL: SEE CHART				SIZE: B		DWG NO.: TC-X00199		DESCRIPTION: TC-X250S/F_-NPT		REV: A	
BY: BA		DATE: 01/15/2026		APPROVED: JP		DATE: 01/15/2026		SCALE: FULL		THIRD ANGLE PROJECTION SHEET: 1 OF 1	