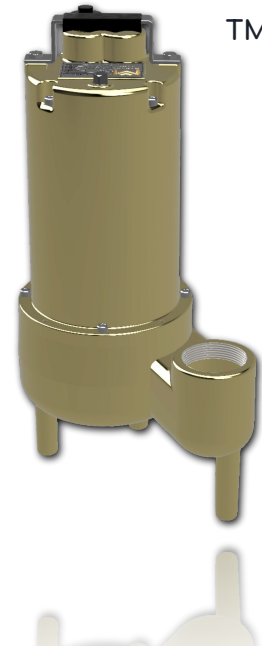
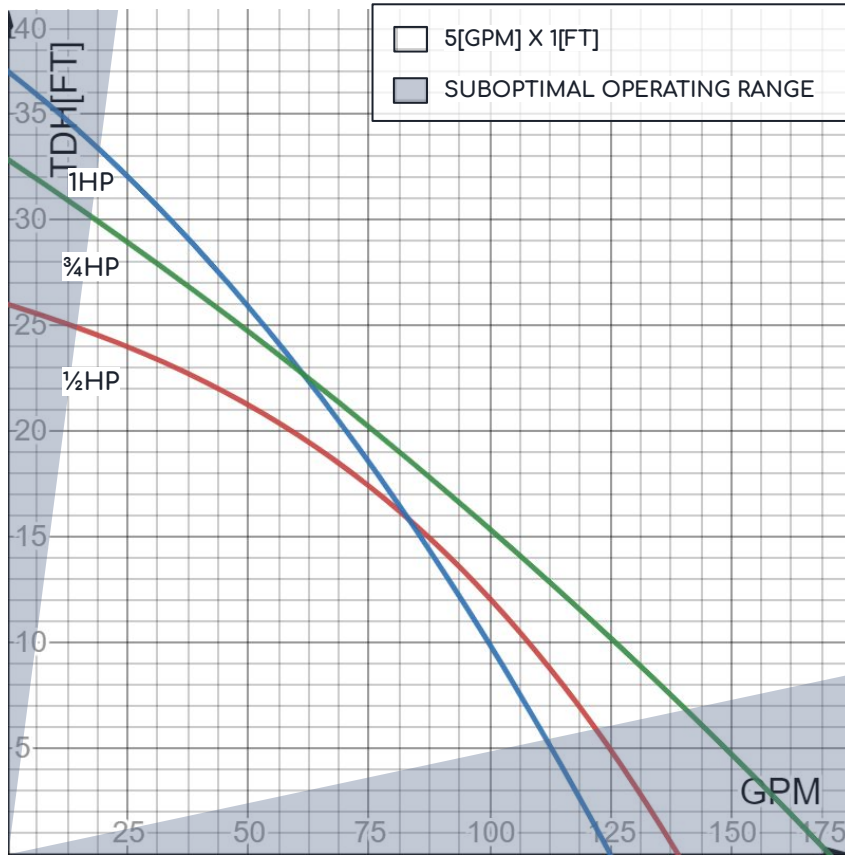




TMP SERIES - TEMPUS™

The TMP series - TEMPUS offers a line plug & play solid-handling submersible effluent pumps. These pumps have no plastic substitution in material usual to this price point and they can handle both sump and sewage applications. Available in ½, ¾, and 1HP in 1ph/115V power, the TEMPUS is ready out of the box as it is equipped with a tethered vertical float switch for all models. These pumps are perfect for elevator sump pits, residential installations and temporary pumps in commercial service.



TMP- ¾HP

Each TMP pump is shipped with a vertically mounted float switch (1PH ONLY) to accommodate tight installation. All switches are replaceable and adjustable to ensure serviceability.

TEMPUS - SUBMERSIBLE SEWAGE PUMP

Specifications

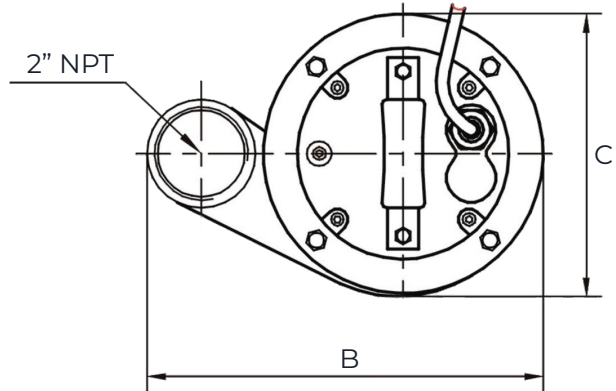
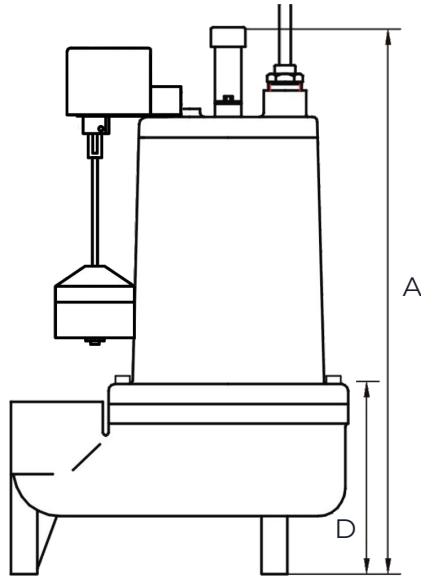
Models	TMP-½HP	TMP-¾HP	TMP-1HP
HP	½	¾	1
RPM	1750	3450	3450
Discharge	2" (3" NPT adapter included)		
Construction	Cast Iron construction, Cast Iron fitted		
Solid Handling	2"		
Rated Current [Amp] (1ph/115)	12	14	16
Rated Current [Amp] (3ph/208-230)	-	-	5
Max Operating Temperature	104°F (120°F intermittently)		200°F (210°F intermittently)
Thermal Overload	Automatic reset (1 PH ONLY)		



TMP SERIES - TEMPUS™

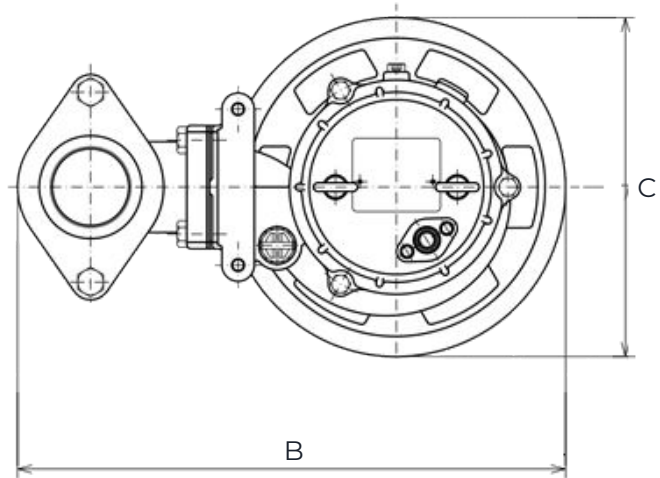
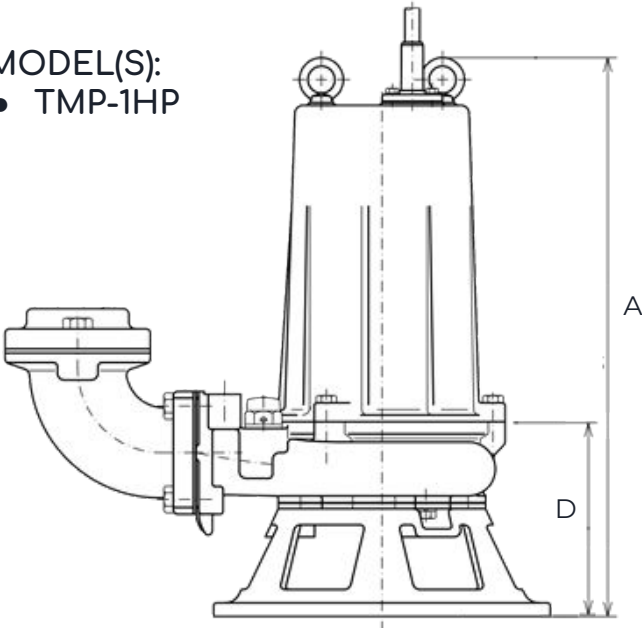
MODEL(S):

- TMP-1/2HP
- TMP-3/4HP



MODEL(S):

- TMP-1HP



TEMPUS - SUBMERSIBLE SEWAGE PUMP

Dimensions [IN]

Model(s)	A	B	C	D*
TMP-1/2HP	15	11	7	5
TMP-3/4HP	17	10	7	6
TMP-1HP	18	15	9	7

*Minimum level of liquid needed to keep the pump primed