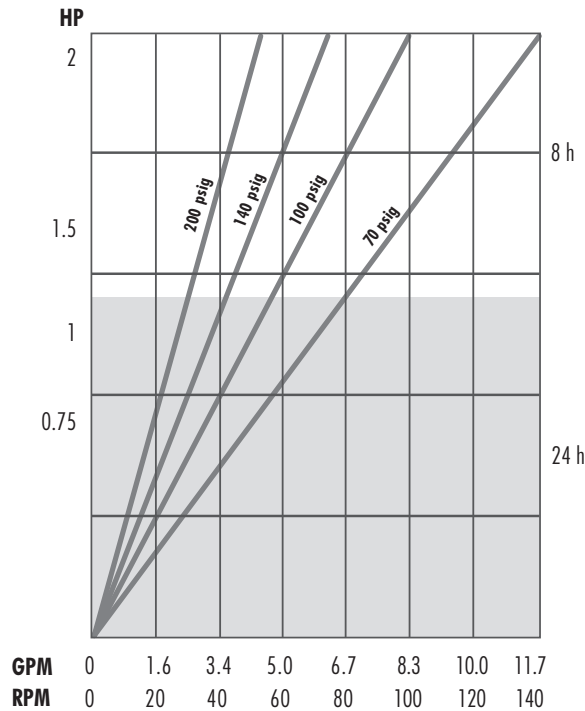


## MODEL 3005 PUMP DATA

### Performance



### Fluid Characteristics

Viscosity:	100,000 cps max.
Liquid Temperature:	180°F (82°C) max.
Solid Size:	(see page 4)
Fiber Length:	4 inch (100 mm) max.

### Specifications

Discharge Pressure:	200 psig (13.8 bar) max.
Suction Lift:	22 ft. (6.7 m)
Suction Pressure:	21 psig (1.4 bar) max.
Horsepower:*	2 max.
Hose Size:	25 x 44 x 850 mm
Displacement:	0.079 gal/rev (0.30 l/rev)
Lubrication Fluid:	1.6 quarts max.
Weight (pump only):	77 lbs. (35 kg)
Weight (with drive):	176 lbs. (80 kg)

\* Pumps are shaft driven and require a gearbox and motor.  
See Ordering Information on following page for details.

### Materials of Construction

#### Non-wetted Parts

- Casing: Aluminum
- Rotor: Cast Iron
- Rollers: Steel
- Roller Holders: Cast Iron
- Frame: Steel

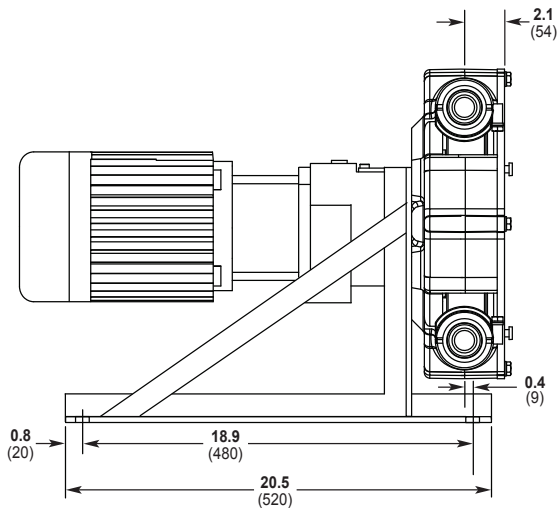
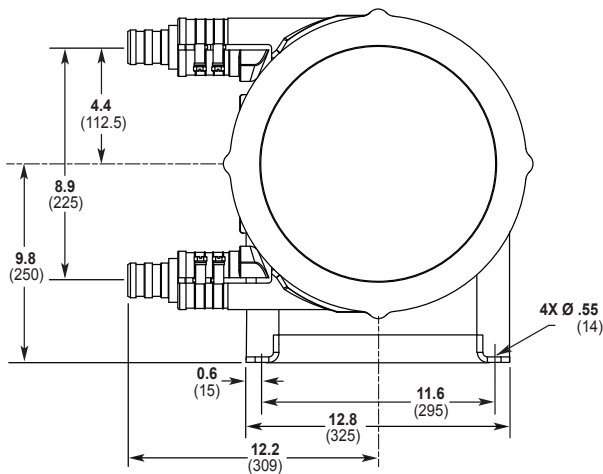
#### Wetted Parts

- Hose: FIBER BRAIDED – EPDM, Hypalon, Nitrile Rubber, Natural Rubber
- Inlet/Outlet Connections: PVC, Carbon Steel, and Stainless Steel

## Dimensional Drawings

Inches (mm)

See Ordering Information for motor and gearbox sizes.



## Model 3005 Ordering Information

A complete Vector pump order number uses a 10-character order code to identify the desired hose, fittings and drive. Select the appropriate items from the chart below and use the order code from each group to complete the pump assembly order number.

<b>1</b>	<b>2</b>	<b>3</b>	<b>4</b>	<b>5</b>	<b>6</b>	<b>7</b>	<b>8</b>	<b>9</b>	<b>10</b>
3	0	0	5	-		-		-	

Order Digit	Order Code	Description		
<b>1-4 Pump Designation</b>				
	<b>3005</b>	Model 3005 Shaft Drive Pump		
<b>5-6 Hose Material/Type</b>				
	<b>EF</b>	EPDM, fiber-braided (100 psig max.)		
	<b>HF</b>	Hypalon, fiber-braided (100 psig max.)		
	<b>MF</b>	Natural Rubber, fiber-braided, heavy-duty (200 psig max.)		
	<b>NF</b>	Natural Rubber, fiber-braided (100 psig max.)		
	<b>OF</b>	Nitrile, Oil-rated, fiber-braided, heavy-duty (200 psig max.)		
<b>7-8 Connector Material/Style</b>				
	<b>EB</b>	Carbon Steel, 1-1/4" hose barb		
	<b>EE</b>	Carbon Steel, 1-1/4" male NPT		
	<b>PV</b>	PVC, 1-1/4" hose barb		
	<b>TT</b>	316 SST, 1-1/4" MNPT		
	<b>SS</b>	316 SST, 1-1/4" hose barb		
<b>9-10 Drive</b>				
	<b>Flow GPM</b>	<b>Gear Ratio</b>	<b>Pump RPM</b>	<b>Max Psig</b>
<b>3Ø, 3/4 BHP TEFC, 230-460 VAC, 60 Hz</b>				
<b>4:1 Constant Torque Speed Range</b>				
<b>B2</b>	1.3	90:1	19	200 <sup>(1)</sup>
<b>D2</b>	1.7	69:1	25	175 <sup>(1)</sup>
<b>3Ø, 1 BHP TEFC, 230-460 VAC, 60 Hz</b>				
<b>4:1 Constant Torque Speed Range</b>				
<b>F2</b>	2.8	43:1	39	150 <sup>(1)</sup>
<b>3Ø, 2 BHP TEFC, 230-460 VAC, 60 Hz</b>				
<b>4:1 Constant Torque Speed Range</b>				
<b>H2</b>	5.7	22:1	78	100 <sup>(1)</sup>
<b>J2</b>	7.6	17:1	102	75 <sup>(1)</sup>
<b>L2</b>	9.2	14:1	123	50 <sup>(1)</sup>
<b>A</b>	No Drive			

<sup>(1)</sup> ( ) Fluid Viscosity Pressure Range  
 0-250 cps 0-75 psig  
 250-100,000 cps 0-200 psig