

WDM[®]

PUMPS

GU Frame Mount



GE Close Coupled



- Flow Rates to : 3500 GPM
- Size to 8" Discharge
- Motors to 200 HP
- Stainless Steel Impeller

- Temperatures to 225-Degree F
- Cast Iron Case-NPT thru 2"/Flanged 2.5" to 10"
- Grease for Life Bearing Design
- Premium Efficient Motors-when Provided with Pump

- Double Volute Design in Select Models
- Meets DOE Pump Standards
- Lead-free Design.



Technical Book

Series GS End Suction Pump 2022.

WDM Water Systems



www.wdmpumps.com

WDM Water Systems

WDM Pumps has expanded its brand as an international manufacturer of fluid handling pumps by consistently meeting and exceeding the needs of our customers.

Continuing a tradition of more than 50 years, WDM Pumps manufactures quality electric and engine driven pumps for diverse commercial and industrial applications. Our continued growth is based on a commitment to high standards for efficient product design, production, sales, and customer support.

Our customers rely on our world-class team of experienced WDM Pumps engineers, technicians, and product application specialists.

WDM offers pump products and related equipment for a wide variety of industries. WDM Pumps manufactured and distributed self priming, flexible coupled, close coupled, horizontal split case, vertical inline, UL/FM listed fire pumps, vertical multistage, ANSI, submersible sump and sewage and vertical turbine.

WDM Pumps plants are strategically located throughout the Americas with USA offices located in Tulsa Oklahoma.





Other factories:

- México
- Colombia
- Argentina
- Chile
- Brazil
- Panamá
- Guatemala
- Perú

INDEX



Pump Family		Content	Pag.
GS Pumps	GE - GU	Selection Charts	7-8
		End Suction Pump Selection	9-14
		Sectional GE Small Size	15
		Dimensionals GE Small Size	16-17
		Sectionals GE	18
		Dimensionals GE 2 Poles (3600 rpm)	19-21
		Dimensionals GE 4 Poles (1800 rpm)	22-25
		Sectional GU	26
		Dimensionals GU	27-28
		Dimensionals GU Frame Mounted with Motor	29-32
		Repair Kit Seal	33
		Performance Curves	34-78

GS Pumps Close Coupled

Features:

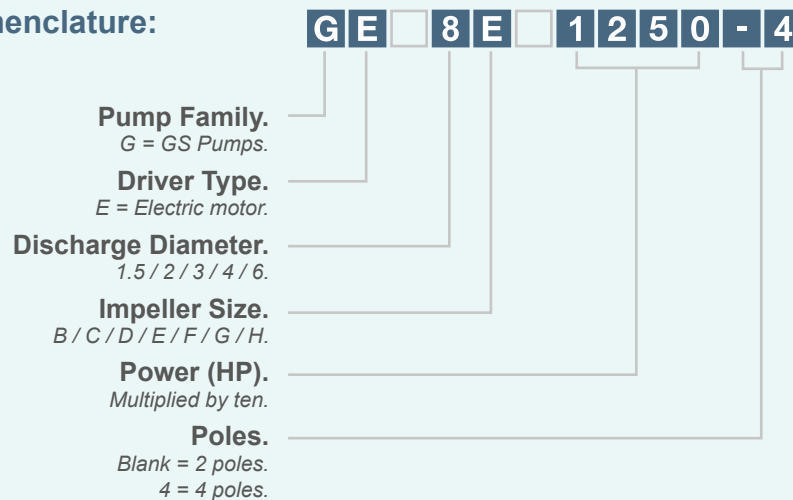
- Construction: Cast Iron.
- Suction: Up to 10"
- Discharge: Up to 8".
- Impeller: Enclosed, Stainless Steel, Dynamically Balanced.
- Mechanical Seal: Standard Ceramic/Carbon/Buna-N.
- Wear Rings: Lead Free Bronze
- Motor: 3 Phases up to 200 HP.

Benefits:

- Quick Delivery.
- Easy Set up & Installation.
- Low and Ease Maintenance.
- Long Service Life.
- Variety of Sizes.



Nomenclature:





GS Pumps Frame Mounted

Features:

- Construction: Cast Iron.
- Suction: Up to 10".
- Discharge: Up to 8".
- Impeller: Enclosed, Stainless Steel Dynamically Balanced.
- Mechanical Seal: Standard Ceramic/Carbon/Buna-N.
- Wear Rings: Lead Free Bronze.

Benefits:

- Quick Delivery.
- Easy Set Up & Installation.
- Low and Ease Maintenance.
- Long Service Life.
- Variety of Sizes.



Nomenclature:

G U **2** . **5 B** **2**

Pump Family.

G = GS Pumps.

Driver Type.

U = Flexible coupled.

Discharge Diameter.

B / C / D / E / F / G.

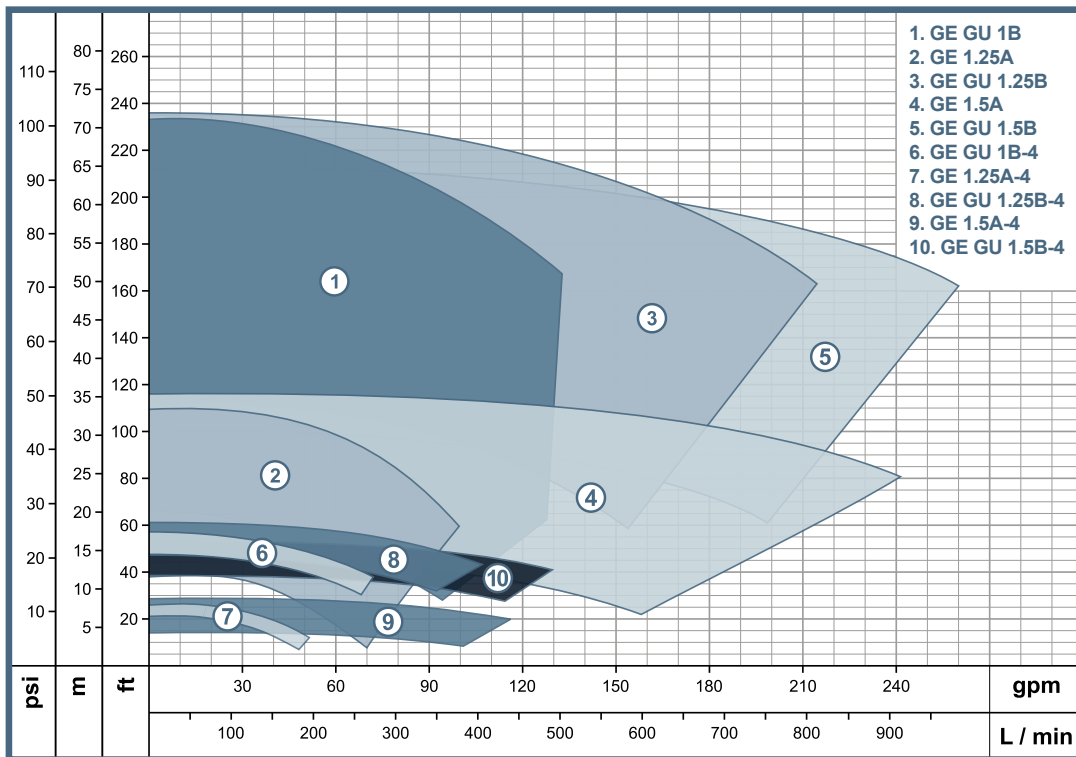
Impeller Size.

B / C / D / E / F / G.

Bearing Bracket Size.

1 / 2 / 3 / 4.

2 poles (3600 rpm)



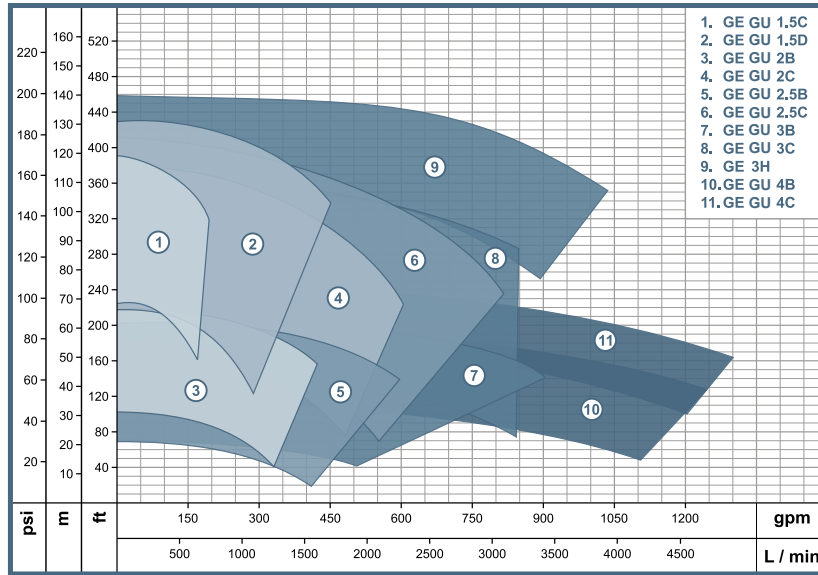
Selection Charts GE Series

GS Pumps
Close Coupled

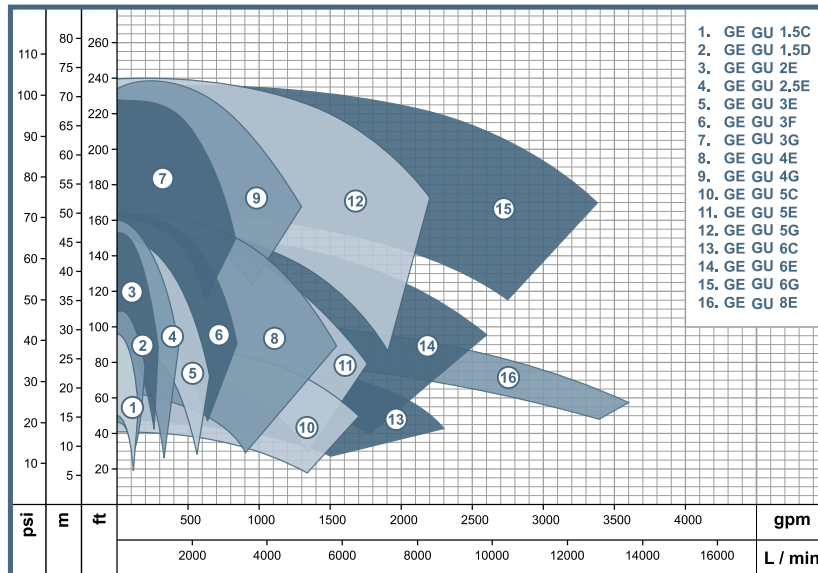


www.wdmpumps.com

2 poles (3600 rpm)



4 poles (1800 rpm)





End Suction Pump Selection Flow/Head And HP Rating 1800 RPM Selections

www.wdmpumps.com

- Refer to performance curve for exact conditions of service!
- Refer to performance curve for heads above 200 feet tdh.

FLOW RATE GPM	TDH-FT	25	40	50	75	100	125	150	175	200	FLOW RATE GPM
50	MODEL NO HP	GE2B 10-4 1HP	GE1.5C 15-4 1.5HP GE1B 10-4 1HP GE1.25B 10-4 1HP GE1.5B 15-4 1.5HP GE2B 20-4 2HP	GE1.5C 20-4 2HP GE1B 15-4 1.5HP GE1.25B 15-4 1.5HP GE1.5B 20-4 2HP GE1.5D 30-4 3HP GE2B 30-4 3HP	GE1.5C 30-4 3HP GE1.5D 30-4 3HP	GE1.5D 75-4 7.5HP	3600 RPM	3600 RPM	3600 RPM	3600 RPM	50
75	MODEL NO HP	GE1.5A 10-4 1HP GE2B 15-4 1.5HP	GE1.5C 15-4 1.5HP GE1.25B 10-4 1HP GE1.5B 15-4 1.5HP GE1.5D 20-4 2HP GE2B 20-4 2HP	GE1.5C 20-4 2HP GE1.5B 20-4 2HP GE1.5D 30-4 3HP GE2B 30-4 3HP	GE1.5C 50-4 5HP GE1.5D 50-4 5HP	GE1.5D 75-4 7.5HP	3600 RPM	3600 RPM	3600 RPM	3600 RPM	75
100	MODEL NO HP	GE 2B 15-4 1.5HP	GE 2B 20-4 2HP GE1.5B 15-4 1.5HP GE1.5C 20-4 2HP GE2B 20-4 2HP GE2C 30-4 3HP	GE1.5D 30-4 3HP GE2B 30-4 3HP GE2C 30-4 3HP GE2.5C 30-4 3HP	GE1.5C 50-4 5HP GE2C 50-4 5HP GE2.5C 50-4 5HP	GE1.5D 75-4 7.5HP GE2E 75-4 7.5HP GE2.5C 100-4 10HP	GE2E 100-4 7.5HP	3600 RPM	3600 RPM	3600 RPM	100
125	MODEL NO HP	GE 2B 15-4 1.5HP	GE 2B 20-4 2HP GE2C 30-4 3HP	GE1.5D 30-4 3HP GE1.5C 50-4 5HP GE2.5C 30-4 3HP	GE1.5D 50-4 5HP GE1.5C 50-4 5HP GE2C 75-4 7.5HP GE2.5C 75-4 7.5HP	GE1.5D 75-4 7.5HP GE2E 75-4 7.5HP GE2.5C 100-4 10HP GE2.5E 100-4 10HP	GE2E 100-4 10HP GE2.5 150-4 15HP	GE2.5E 200-4 20HP			125
150	MODEL NO HP	GE 2B 15-4 1.5HP GE3B 20-4 2HP	GE 2B 30-4 3HP GE2C 30-4 3HP GE3B 50-4 5HP	GE 2C 50-4 5HP GE1.5D 50-4 5HP GE2.5C 50-4 5HP GE3C 50-4 5HP	GE1.5D 75-4 7.5HP GE2C 75-4 7.5HP GE2.5C 75-4 7.5HP GE2.5E 75-4 7.5HP GE3C 75-4 7.5HP	GE2E 100-4 10HP GE2.5C 100-4 10HP GE2.5E 150-4 15HP	GE2E 150-4 15HP GE2.5E 200-4 20HP	GE2.5E 200-4 20HP			150
175	MODEL NO HP	GE 3B 20-4 2HP	GE 2B 30-4 3HP GE2C 30-4 3HP GE3B 50-4 5HP	GE 2C 50-4 5HP GE2.5C 50-4 5HP GE3B 50-4 5HP GE3C 50-4 5HP	GE 2C 75-4 7.5HP GE1.5D 75-4 7.5HP GE2.5C 75-4 7.5HP GE2.5E 75-4 7.5HP GE3C 75-4 7.5HP	GE 2.5E 150-4 15HP GE2E 150-4 15HP	GE 2.5E 150-4 15HP GE2E 150-4 15HP	GE2.5E 200-4 20HP			175
200	MODEL NO HP	GE 3B 20-4 2HP	GE 3B 50-4 5HP GE2C 50-4 5HP GE2.5C 50-4 5HP	GE 2C 50-4 5HP GE2.5C 75-4 7.5HP GE3B 50-4 5HP GE3C 50-4 5HP	GE 2C 75-4 7.5HP GE2.5C 75-4 7.5HP GE2.5E 100-4 10HP GE2.5E 100-4 10HP GE3C 75-4 7.5HP	GE 2.5E 100-4 10HP GE2E 100-4 10HP GE3F 150-4 15HP	GE 2.5E 150-4 15HP GE2E 150-4 15HP GE3E 150-4 15HP GE3F 200-4 20HP	GE 3F 200-4 20HP			200
225	MODEL NO HP	GE 3B 20-4 2HP	GE 2.5C 50-4 5HP GE3B 50-4 5HP	GE 2C 50-4 5HP GE2.5C 50-4 5HP GE3B 50-4 5HP GE3C 50-4 5HP	GE 2C 75-4 7.5HP GE2.5C 75-4 7.5HP GE2.5E 100-4 10HP GE3C 100-4 10HP	GE 2.5E 150-4 15HP GE2E 100-4 10HP GE2.5E 150-4 15HP GE3E 150-4 15HP GE3F 150-4 15HP	GE 2E 200-4 20HP GE 2.5E 200-4 20HP GE3E 200-4 20HP GE3F 250-4 25HP	GE3E 250-4 25HP GE3F 300-4 30HP			225
250	MODEL NO HP	GE3B 30-4 3HP	GE 2.5C 50-4 5HP GE3B 50-4 5HP	GE 2C 50-4 5HP GE2.5C 50-4 5HP GE3B 50-4 5HP GE3C 50-4 5HP	GE 3C 75-4 7.5HP GE2.5C 75-4 7.5HP GE2.5E 100-4 10HP GE3C 100-4 10HP	GE 2.5E 150-4 15HP GE2E 150-4 15HP GE3E 150-4 15HP GE3F 200-4 20HP	GE 2.5E 150-4 15HP GE3E 200-4 20HP GE3F 200-4 20HP	GE3F 300-4 30HP			250
275	MODEL NO HP	GE 3C 30-4 3HP GE3B 30-4 3HP GE4B 30-4 3HP	GE 3C 50-4 5HP GE2.5C 50-4 5HP GE3B 50-4 5HP GE4B 75-4 7.5HP	GE 3C 50-4 5HP GE2.5C 50-4 5HP GE2.5E 75-4 7.5HP GE3B 50-4 5HP	GE 3C 100-4 10HP GE2.5C 100-4 10HP GE2.5E 100-4 10HP	GE 2.5E 150-4 15HP GE3E 150-4 15HP GE3F 150-4 15HP	GE 2.5E 200-4 20HP GE3E 200-4 20HP GE3F 200-4 20HP	GE3F 300-4 30HP			275
300	MODEL NO HP	GE3B 30-4 3HP GE4B 30-4 3HP	GE 3B 50-4 5HP GE3C 30-4 3HP GE4B 75-4 7.5HP	GE 3C 50-4 5HP	GE 3C 100-4 10HP GE2.5C 100-4 10HP GE2.5E 100-4 10HP	GE 2.5E 150-4 15HP GE3E 150-4 15HP GE3F 150-4 15HP	GE 2.5E 200-4 20HP GE3E 200-4 20HP GE3F 200-4 20HP	GE3F 300-4 30HP	GE3G 300-4 30HP	GE3G 400-4 40HP	300
325	MODEL NO HP	GE3B 30-4 3HP GE4B 50-4 5HP	GE 3B 50-4 5HP GE3C 50-4 5HP GE4B 75-4 7.5HP	GE 3C 75-4 7.5HP	GE 3C 100-4 10HP GE2.5C 100-4 10HP GE2.5E 100-4 10HP	GE 2.5E 150-4 15HP GE3E 150-4 15HP GE3F 150-4 15HP	GE 2.5B 200 20HP GE3E 200-4 20HP GE3F 200-4 20HP	GE3F 300-4 30HP GE3G 250-4 25HP	GE3G 300-4 30HP	GE3G 400-4 40HP	325
350	MODEL NO HP	GE 3B 20-4 2HP GE4B 50-4 5HP	GE 3B 50-4 5HP GE3C 50-4 5HP GE4B 75-4 7.5HP	GE 3C 75-4 7.5HP	GE 3C 100-4 10HP GE2.5E 150-4 15HP	GE 2.5E 150-4 15HP GE3E 150-4 15HP GE3F 150-4 15HP	GE 2.5B 200 20HP GE3E 200-4 20HP GE3F 200-4 20HP	GE3F 300-4 30HP GE3G 250-4 25HP	GE3G 300-4 30HP	GE3G 400-4 40HP	350
	TDH-FT	25	40	50	75	100	125	150	175	200	

RFT: Refer to factory for other selections.

1200 RPM: Requires 1200 Rpm Selection. RTF

3600 RPM: Requires 3600 Rpm Selection. Refer to those tables for end suction.

Technical features are subject to change without notice.

• Refer to performance curve for exact conditions of service! • Refer to performance curve for heads above 200 feet tdh.

FLOW RATE GPM	TDH-FT	25	40	50	75	100	125	150	175	200	FLOW RATE GPM
375	MODEL NO HP	GE 4B 50-4 5HP	GE 3B 50-4 5HP GE3C 50-4 5HP GE4B 75-4 7.5HP	GE 3C 75-4 7.5HP	GE 3C 100-4 10HP GE3E 150-4 15HP	GE 2.5E 200-4 20HP GE3E 200-4 20HP GE3F 200-4 20HP	GE 2.5B 200 20HP GE3E 200-4 20HP GE3F 200-4 20HP	GE3F 300-4 30HP GE3G 250-4 25HP	GE3G 300-4 30HP	GE3G 400-4 40HP	375
400	MODEL NO HP	GE 4B 50-4 5HP	GE 4B 75-4 7.5HP	GE 3C 75-4 7.5HP GE3E 150-4 15HP GE4C 100-4 10HP	GE 3C 100-4 10HP GE3E 150-4 15HP GE4C 150-4 15HP	GE 2.5B 200 20HP GE3E 200-4 20HP GE3F 200-4 20HP	GE 2.5B 200 20HP GE3E 250-4 25HP GE3F 250-4 25HP	GE3F 300-4 30HP GE3G 250-4 25HP	GE3G 400-4 40HP	GE3G 400-4 40HP	400
425	MODEL NO HP	GE 4B 50-4 5HP	GE 4B 75-4 7.5HP GE3C 50-4 5HP GE4C 75-4 7.5HP	GE 3C 75-4 7.5HP GE4C 100-4 10HP	GE 3C 100-4 10HP GE3E 150-4 15HP GE4C 150-4 15HP	GE 3E 200-4 20HP GE3F 200-4 20HP	GE 2.5B 200 20HP GE3E 250-4 25HP GE3F 250-4 25HP	GE3F 300-4 30HP GE3G 250-4 25HP	GE3G 400-4 40HP	GE3G 400-4 40HP	425
450	MODEL NO HP	GE 4B 50-4 5HP	GE 4B 75-4 7.5HP GE4C 75-4 7.5HP	GE 3C 75-4 7.5HP GE4C 100-4 10HP	GE 3C 100-4 10HP GE3E 150-4 15HP GE4C 150-4 15HP	GE 3E 200-4 20HP GE3F 200-4 20HP	GE3F 250-4 25HP	GE3F 300-4 30HP GE3G 300-4 30HP	GE3G 400-4 40HP	GE3G 400-4 40HP	450
475	MODEL NO HP	GE 4B 50-4 5HP	GE 4B 75-4 7.5HP GE4C 100-4 10HP	GE 4C 100-4 10HP GE3E 100-4 10HP	GE 3E 150-4 15HP GE4C 150-4 15HP	GE 3E 200-4 20HP GE3F 200-4 20HP	GE3F 250-4 25HP	GE3F 300-4 30HP	GE3G 400-4 40HP	GE3G 400-4 40HP	475
500	MODEL NO HP	GE 4B 50-4 5HP	GE 4B 75-4 7.5HP GE4C 100-4 10HP	GE 4C 100-4 10HP GE3E 150-4 15HP	GE 3E 150-4 15HP GE4C 150-4 15HP	GE 3E 200-4 20HP GE3F 200-4 20HP	GE 3F 250-4 25HP	GE 3F 300-4 30HP GE4G 400-4 40HP	GE 3G 400-4 40HP GE4G 500-4 50HP	GE 3G 400-4 40HP GE4G 600-4 60HP	500
525	MODEL NO HP	GE 4B 50-4 5HP	GE 4C 100-4 10HP	GE 4C 100-4 10HP	GE 4C 150-4 15HP GE3F150-4 15HP GE4E 150-4 15HP	GE 3F 200-4 20HP GE4E 300-4 30HP	GE 3F 250-4 25HP GE4E 400-4 40HP	GE 3F 300-4 30HP GE4E 500-4 50HP GE4G 400-4 40HP	GE 3G 400-4 40HP GE4G 500-4 50HP	GE 3G 500-4 50HP GE4G 600-4 60HP	525
550	MODEL NO HP	GE 4B 50-4 5HP	GE 4C 100-4 10HP	GE 4C 100-4 10HP	GE 4C 150-4 15HP GE3F200-4 20HP GE4E 200-4 20HP	GE 3F 200-4 20HP GE4E 300-4 30HP	GE 3F 250-4 25HP GE4E 400-4 40HP	GE4E 500-4 50HP GE4G 400-4 40HP	GE 3G 400-4 40HP GE4G 500-4 50HP	GE 3G 500-4 50HP GE4G 600-4 60HP	550
575	MODEL NO HP	GE 4B 50-4 5HP	GE 4C 100-4 10HP	GE 4C 100-4 10HP	GE 4C 150-4 15HP GE3F 200-4 20HP GE4E 200-4 20HP	GE 3F 200-4 20HP GE4E 300-4 30HP	GE 3F 250-4 25HP GE4E 400-4 40HP	GE 3G 400-4 40HP GE4E 500-4 50HP GE4G 500-4 50HP	GE 3G 400-4 40HP GE4G 500-4 50HP	GE 3G 500-4 50HP GE4G 600-4 60HP	575
600	MODEL NO HP	GE 4B 75-4 7.5HP	GE 4C 100-4 10HP	GE 4C 100-4 10HP	GE 4C 150-4 15HP GE3F 200-4 20HP GE4E 200-4 20HP	GE 3F 250-4 25HP GE4E 300-4 30HP	GE 3F 300-4 30HP GE4E 400-4 40HP	GE 4E 500-4 50HP GE4G 500-4 50HP	GE 3G 400-4 40HP GE4G 500-4 50HP	GE 3G 500-4 50HP GE4G 600-4 60HP	600
625	MODEL NO HP		GE 4C 100-4 10HP	GE 4C 150-4 15HP	GE 4C 200-4 20HP GE4E 200-4 20HP	GE 4E 300-4 30HP GE3F 250-4 25HP	GE3F 300-4 30HP GE4E 400-4 40HP	GE 4E 500-4 50HP GE4G 500-4 50HP	GE 4G 500-4 50HP	GE 4G 600-4 60HP	625
650	MODEL NO HP		GE 4C 100-4 10HP	GE 4C 150-4 15HP	GE 4C 200-4 20HP GE4E 200-4 20HP GE5E 200-4 20HP	GE 4E 300-4 30HP GE3F 250-4 25HP GE5E 300-4 30HP	GE 4E 400-4 40HP GE3F 300-4 30HP GE5E 400-4 40HP	GE 4E 500-4 50HP GE4G 500-4 50HP	GE 4G 500-4 50HP	GE 4G 600-4 60HP	650
675	MODEL NO HP		GE 4C 100-4 10HP	GE 4C 150-4 15HP	GE 4C 200-4 20HP GE4E 200-4 20HP GE5E 200-4 20HP	GE 4E 300-4 30HP GE3F 250-4 25HP GE5E 300-4 30HP	GE 4E 400-4 40HP GE3F 300-4 30HP GE5E 400-4 40HP	GE 4E 500-4 50HP GE4G 500-4 50HP	GE 4G 500-4 50HP	GE 4G 600-4 60HP	675
700	MODEL NO HP		GE 4C 100-4 10HP	GE 4C 150-4 15HP	GE 4C 200-4 20HP GE4E 200-4 20HP GE5E 200-4 20HP	GE 4E 300-4 30HP GE3F 250-4 25HP GE5E 300-4 30HP	GE 4E 400-4 40HP GE3F 300-4 30HP GE5E 400-4 40HP	GE 4E 500-4 50HP GE4G 500-4 50HP	GE 4G 500-4 50HP	GE 4G 600-4 60HP	700
725	MODEL NO HP		GE 4C 100-4 10HP	GE 4C 150-4 15HP	GE 4C 200-4 20HP GE5E 200-4 20HP	GE 4E 300-4 30HP GE3F 250-4 25HP GE5E 300-4 30HP	GE 4E 400-4 40HP GE3F 300-4 30HP GE5E 400-4 40HP	GE 4E 500-4 50HP GE4G 500-4 50HP	GE 4G 500-4 50HP	GE 4G 600-4 60HP	725
750	MODEL NO HP		GE 5C 150-4 15HP GE4C 100-4 10HP	GE 4C 150-4 15HP	GE 4C 200-4 20HP GE4E 200-4 20HP GE5E 200-4 20HP	GE 4E 300-4 30HP GE3F 300-4 30HP GE5E 300-4 30HP	GE 4E 400-4 40HP GE5E 400-4 40HP	GE 4E 500-4 50HP GE4G 500-4 50HP GE5G 750-4 75HP	GE 4G 600-4 60HP GE5G 1000-4 100HP	GE 4G 750-4 75HP GE5G 1000-4 100HP	750
775	MODEL NO HP		GE 5C 150-4 15HP GE4C 100-4 10HP	GE 4C 150-4 15HP	GE 5C 200-4 20HP GE4C 200-4 20HP GE4E 250-4 25HP GE5E 250-4 25HP	GE 4E 300-4 30HP GE5E 400-4 40HP	GE 4E 400-4 40HP GE5E 400-4 40HP	GE 4E 500-4 50HP GE4G 500-4 50HP GE5G 750-4 75HP	GE 4G 600-4 60HP GE5G 1000-4 100HP	GE 4G 750-4 75HP GE5G 1000-4 100HP	775
800	MODEL NO HP		GE 5C 150-4 15HP GE4C 100-4 10HP	GE 5C 150-4 15HP GE4C 150-4 15HP	GE 4E 250-4 25HP GE5C 250-4 25HP GE5E 250-4 25HP	GE 4E 300-4 30HP GE5E 400-4 40HP	GE 4E 400-4 40HP GE5E 400-4 40HP	GE 4E 500-4 50HP GE4G 500-4 50HP GE5G 750-4 75HP	GE 4G 600-4 60HP GE5G 1000-4 100HP	GE 4G 750-4 75HP GE5G 1000-4 100HP	800
	TDH-FT	25	40	50	75	100	125	150	175	200	

RFT: Refer to factory for other selections.

1200 RPM: Requires 1200 Rpm Selection. RTF

3600 RPM: Requires 3600 Rpm Selection. Refer to those tables for end suction. Technical features are subject to change without notice.

• Refer to performance curve for exact conditions of service! • Refer to performance curve for heads above 200 feet tdh.

FLOW RATE GPM	TDH-FT	25	40	50	75	100	125	150	175	200	FLOW RATE GPM
825	MODEL NO HP		GE 5C 150-4 15HP	GE 5C 150-4 15HP	GE 4E 250-4 25HP GE5C 250-4 25HP GE5E 250-4 25HP	GE 4E 300-4 30HP GE5E 400-4 40HP	GE 4E 400-4 40HP GE5E 400-4 40HP	GE 4E 500-4 50HP GE4G 500-4 50HP	GE 4G 600-4 60HP	GE 4G 750-4 75HP	825
850	MODEL NO HP		GE 5C 150-4 15HP	GE 5C 150-4 15HP	GE 4E 250-4 25HP GE5C 250-4 25HP GE5E 250-4 25HP	GE 4E 400-4 40HP GE5E 400-4 40HP	GE 4E 400-4 40HP GE5E 400-4 40HP	GE 4E 500-4 50HP GE4G 500-4 50HP	GE 4G 600-4 60HP	GE 4G 750-4 75HP	850
875	MODEL NO HP		GE 5C 150-4 15HP	GE 5C 150-4 15HP	GE 4E 250-4 25HP GE5C 250-4 25HP GE5E 250-4 25HP	GE 4E 400-4 40HP GE5E 400-4 40HP	GE 4E 500-4 50HP GE5E 500-4 50HP	GE 4E 500-4 50HP GE5G 750-4 75HP	GE 4G 600-4 60HP GE5G 1000-4 100HP	GE 4G 750-4 75HP GE5G 1000-4 100HP	875
900	MODEL NO HP		GE 5C 150-4 15HP	GE 5C 200-4 20HP	GE 4E 250-4 25HP GE5C 250-4 25HP GE5E 250-4 25HP	GE 4E 400-4 40HP GE5E 400-4 40HP	GE 4E 500-4 50HP GE5E 500-4 50HP	GE 4E 500-4 50HP GE4G 500-4 50HP GE5G 750-4 75HP	GE 4G 600-4 60HP GE5G 1000-4 100HP	GE 4G 750-4 75HP GE5G 1000-4 100HP	900
925	MODEL NO HP		GE 5C 150-4 15HP	GE 5C 200-4 20HP	GE 4E 250-4 25HP GE5C 250-4 25HP GE5E 250-4 25HP	GE 4E 400-4 40HP GE5E 400-4 40HP	GE 4E 500-4 50HP GE5E 500-4 50HP	GE 4E 500-4 50HP GE4G 500-4 50HP GE5G 750-4 75HP	GE 4G 600-4 60HP GE5G 1000-4 100HP	GE 4G 750-4 75HP GE5G 1000-4 100HP	925
950	MODEL NO HP		GE 5C 150-4 15HP	GE 5C 200-4 20HP	GE 4E 250-4 25HP GE5C 250-4 25HP GE5E 250-4 25HP	GE 4E 400-4 40HP GE5E 400-4 40HP	GE 4E 500-4 50HP GE5E 500-4 50HP	GE 4E 500-4 50HP GE4G 500-4 50HP GE5G 750-4 75HP	GE 4G 600-4 60HP GE5G 1000-4 100HP	GE 4G 750-4 75HP GE5G 1000-4 100HP	950
975	MODEL NO HP		GE 5C 150-4 15HP	GE 5C 200-4 20HP	GE 4E 300-4 30HP GE5E 250-4 25HP	GE 4E 400-4 40HP GE5E 400-4 40HP	GE 4E 500-4 50HP GE5E 500-4 50HP	GE 4G 600-4 60HP GE5G 750-4 75HP	GE 4G 600-4 60HP GE5G 1000-4 100HP	GE 4G 750-4 75HP GE5G 1000-4 100HP	975
1000	MODEL NO HP		GE 5C 150-4 15HP	GE 5C 200-4 20HP	GE 4E 300-4 30HP GE5C 250-4 25HP GE5E 250-4 25HP	GE 4E 400-4 40HP GE5E 400-4 40HP	GE 4E 500-4 50HP GE5E 500-4 50HP	GE 4G 600-4 60HP GE5G 750-4 75HP	GE 4G 600-4 60HP GE5G 1000-4 100HP	GE 4G 750-4 75HP GE5G 1000-4 100HP	1000
	TDH-FT	25	40	50	75	100	125	150	175	200	

RTF: Refer to factory for other selections.

1200 RPM: Requires 1200 Rpm Selection. RTF

3600 RPM: Requires 3600 Rpm Selection. Refer to those tables for end suction. Technical features are subject to change without notice.

End Suction Pump Selection Flow/Head And HP Rating 1800 RPM Selections



www.wdmpumps.com

- Refer to performance curve for exact conditions of service!
- Refer to performance curve for heads above 200 feet tdh.

FLOW RATE GPM	TDH-FT	25	40	50	75	100	125	150	175	200	FLOW RATE GPM
1100	MODEL NO HP	1200 RPM	GE 5C 150-4 15HP GE6C 200-4 20HP	GE 5C 250-4 25HP GE6C 200-4 20HP	GE 5C 300-4 30HP GE4E 300-4 30HP GE5E 250-4 25HP GE6C 300-4 30HP GE6E 400-4 40HP	GE 5E 400-4 40HP GE4E 400-4 40HP GE6E 500-4 50HP	GE 5E 500-4 50HP GE4E 500-4 50HP GE6E 750-4 75HP	GE5G 750-4 75HP GE6G 1000-4 100HP	GE 5G 1000-4 100 HP GE6G 1250-4 125HP	GE 5G 1000-4 100 HP GE6G 1500-4 150HP	1100
1200	MODEL NO HP	1200 RPM	GE 5C 200-4 20HP GE6C 200-4 20HP	GE 5C 200-4 20HP GE6C 200-4 20HP	GE 5C 300-4 30HP GE4E 300-4 30HP GE5E 250-4 25HP GE6C 300-4 30HP GE6E 400-4 40HP	GE 5E 400-4 40HP GE4E 400-4 40HP GE6E 500-4 50HP	GE 5E 500-4 50HP GE4E 500-4 50HP GE6E 750-4 75HP	GE 5G 750-4 75 HP GE6G 1000-4 100HP	GE 5G 1000-4 100 HP GE6G 1250-4 125HP	GE 5G 1000-4 100 HP GE6G 1500-4 150HP	1200
1300	MODEL NO HP	1200 RPM	1200 RPM	GE 5C 200-4 20HP GE6C 250-4 25HP	GE 5C 300-4 30HP GE5E 250-4 25HP GE6C 300-4 30HP GE6E 400-4 40HP	GE 5E 400-4 40HP GE6E 500-4 50HP	GE 5G 600-4 60 HP GE6E 750-4 75HP	GE 5G 750-4 75 HP GE6G 1000-4 100HP	GE 5G 1000-4 100 HP GE6G 1250-4 125HP	GE 5G 1000-4 100 HP GE6G 1500-4 150HP	1300
1400	MODEL NO HP	1200 RPM	1200 RPM	GE 6C 250-4 25HP	GE 6C 400-4 40HP GE6E 400-4 40HP	GE 6E 600-4 60HP	GE 5G 600-4 60 HP GE6E 750-4 75HP	GE 5G 750-4 75 HP GE6G 1000-4 100HP	GE 5G 1000-4 100 HP GE6G 1250-4 125HP	GE 5G 1250-4 125 HP GE6G 1500-4 150HP	1400
1500	MODEL NO HP	1200 RPM	1200 RPM	GE 6C 250-4 25HP	GE 6C 400-4 40HP GE6E 500-4 50HP	GE 6E 600-4 60HP	GE 5G 600-4 60 HP GE6E 750-4 75HP	GE 5G 1000-4 100 HP GE6G 1000-4 100HP	GE 5G 1000-4 100 HP GE6G 1250-4 125HP	GE 5G 1250-4 125 HP GE6G 1500-4 150HP	1500
1600	MODEL NO HP	1200 RPM	1200 RPM	GE 6C 250-4 25HP	GE 6C 400-4 40HP GE6E 500-4 50HP	GE 6E 600-4 60HP	GE 6E 750-4 75HP	GE 5G 1000-4 100 HP GE6G 1000-4 100HP	GE 5G 1000-4 100 HP GE6G 1250-4 125HP	GE 5G 1250-4 125 HP GE6G 1500-4 150HP	1600
1700	MODEL NO HP	1200 RPM	1200 RPM	GE 5C 300-4 30HP	GE 6E 500-4 50HP	GE 6E 600-4 60HP	GE 6E 750-4 75HP	GE 6G 1000-4 100 HP	GE 5G 1000-4 100 HP GE6G 1250-4 125HP	GE 5G 1250-4 125 HP GE6G 1500-4 150HP	1700
1800	MODEL NO HP	1200 RPM	1200 RPM	GE 6C 300-4 30HP	GE 6E 500-4 50HP	GE 6E 600-4 60HP GE8E 1000-4 100HP	GE 6E 750-4 75HP GE8E 1000-4 100HP	GE 6G 1000-4 100 HP	GE 5G 1000-4 100 HP GE6G 1250-4 125HP	GE 5G 1250-4 125 HP GE6G 1500-4 150HP	1800
1900	MODEL NO HP	1200 RPM	1200 RPM	1200 RPM	GE 6E 500-4 50HP	GE 6E 600-4 60HP GE8E 1000-4 100HP	GE 6E 750-4 75HP GE8E 1000-4 100HP	GE 6G 1000-4 100 HP	GE 6G 1250-4 125HP	GE 6G 1500-4 150HP	1900
2000	MODEL NO HP	1200 RPM	1200 RPM	1200 RPM	GE 6E 600-4 60HP	GE 6E 600-4 60HP GE8E 1000-4 100HP	GE 6E 750-4 75HP GE8E 1000-4 100HP	GE 6G 1000-4 100 HP	GE 6G 1250-4 125HP	GE 6G 1500-4 150HP	2000
2100	MODEL NO HP	1200 RPM	1200 RPM	1200 RPM	GE 6E 600-4 60HP	GE8E 1000-4 100HP	GE 8E 1000-4 100HP	GE 6G 1000-4 100 HP	GE 6G 1250-4 125HP	GE 6G 1500-4 150HP	2100
2200	MODEL NO HP	1200 RPM	1200 RPM	1200 RPM	GE 6E 600-4 60HP	GE8E 1000-4 100HP	GE 8E 1000-4 100HP	GE 6G 1250-4 125HP	GE 6G 1250-4 125HP	GE 6G 2000-4 200HP	2200
2300	MODEL NO HP	1200 RPM	1200 RPM	1200 RPM	GE 8E 600-4 60HP	GE8E 1000-4 100HP	GE 8E 1000-4 100HP	GE 6G 1250-4 125HP	GE 6G 1500-4 150HP	GE 6G 2000-4 200HP	2300
2400	MODEL NO HP	1200 RPM	1200 RPM	1200 RPM	GE 8E 750-4 75HP	GE 8E 1000-4 100HP	GE 8E 1000-4 100HP	GE 6G 1250-4 125HP	GE 6G 1500-4 150HP	GE 6G 2000-4 200HP	2400
2500	MODEL NO HP	1200 RPM	1200 RPM	1200 RPM	GE 8E 750-4 75HP	GE 8E 1000-4 100HP	GE 8E 1250-4 125HP	GE 6G 1250-4 125HP	GE 6G 1500-4 150HP	GE 6G 2000-4 200HP	2500
2600	MODEL NO HP	1200 RPM	1200 RPM	1200 RPM	GE 8E 750-4 75HP	GE 8E 1000-4 100HP	GE 8E 1250-4 125HP	GE 6G 1250-4 125HP	GE 6G 1500-4 150HP	RTF	2600
2700	MODEL NO HP	1200 RPM	1200 RPM	1200 RPM	GE 8E 750-4 75HP	GE 8E 1000-4 100HP	GE 8E 1250-4 125HP	GE 6G 1250-4 125HP	GE 6G 1500-4 150HP	RTF	2700
2800	MODEL NO HP	1200 RPM	1200 RPM	1200 RPM	GE 8E 750-4 75HP	GE 8E 1000-4 100HP	GE 8E 1250-4 125HP	RTF	RTF	RTF	2800
2900	MODEL NO HP	1200 RPM	1200 RPM	1200 RPM	GE 8E 750-4 75HP	GE 8E 1000-4 100HP	RTF	RTF	RTF	RTF	2900
3000	MODEL NO HP	1200 RPM	1200 RPM	1200 RPM	GE 8E 750-4 75HP	GE 8E 1000-4 100HP	RTF	RTF	RTF	RTF	3000
3100	MODEL NO HP	1200 RPM	1200 RPM	1200 RPM	GE 8E 750-4 75HP	GE 8E 1000-4 100HP	RTF	RTF	RTF	RTF	3100
3200	MODEL NO HP	1200 RPM	1200 RPM	1200 RPM	GE 8E 750-4 75HP	GE 8E 1000-4 100HP	RTF	RTF	RTF	RTF	3200

RTF: Refer to factory for other selections.

1200 RPM: Requires 1200 Rpm Selection. RTF

3600 RPM: Requires 3600 Rpm Selection. Refer to those tables for end suction.

Technical features are subject to change without notice.



End Suction Pump Selection Flow/Head And HP Rating

3600 RPM Selections

www.wdmpumps.com

- Refer to performance curve for exact conditions of service!
- Refer to performance curve for heads above 225 feet tdh.

FLOW RATE GPM	TDH-FT	40	50	75	100	125	150	175	200	225	FLOW RATE GPM
50	MODEL NO HP	GE 1.25A 10 1HP	GE 1.25A 15 1.5HP	GE 1.25A 20 2HP GE 1B 30 3HP	GE 1.25A 30 3HP GE 1B 50 5HP	GE 1B 50 5HP	GE 1B 75 7.5HP	GE 1B 75 7.5HP	GE 1B 75 7.5HP		50
75	MODEL NO HP	GE 1.25A 15 1.5HP	GE 1.25A 20 2HP	GE 1.25A 30 3HP GE 1B 30 3HP	GE 1B 50 5HP	GE 1B 50 5HP	GE 1B 75 7.5HP	GE 1B 75 7.5HP	GE 1B 75 7.5HP		75
100	MODEL NO HP	GE 1.5A 20 2HP	GE 1.5A 30 3HP GE 1B 30 3HP	GE 1B 50 5HP GE 1.5A 50 5HP	GE 1.25B 75 7.5HP GE 1B 50 5HP GE 1.5A 30 3HP GE 1.5B 75 7.5HP	GE 1.25B 75 7.5HP GE 1B 30 3HP GE 1.5B 75 7.5HP	GE 1B 75 7.5HP GE 1.25B 100 10HP GE 1.5B 100 10HP	GE 1B 75 7.5HP GE 1.25B 100 10HP GE 1.5B 150 15HP	GE 1B 100 10HP GE 1.25B 150 15HP GE 1.5B 150 15HP	GE 1.5C 150 15HP	100
125	MODEL NO HP	GE 1.5A 20 2HP	GE 1.5A 30 3HP	GE 1.5A 50 5HP	GE 1.5A 50 5HP GE 1.25B 75 7.5HP GE 1.5B 75 7.5HP	GE 1.25B 75 7.5HP GE 1.5B 75 7.5HP	GE 1.25B 100 10HP GE 1.5B 100 10HP	GE 1.25B 100 10HP GE 1.5B 150 15HP	GE 1.5C 150 15HP GE 1.25B 150 15HP GE 1.5B 150 15HP	GE 1.5C 150 15HP	125
150	MODEL NO HP	GE 1.5A 30 3HP	GE 1.5A 30 3HP	GE 1.5A 50 5HP	GE 1.5A 75 7.5HP GE 1.5B 75 7.5HP GE 2B 100 10HP	GE 1.25B 100 10HP GE 1.5B 100 10HP GE 2B 150 15HP	GE 1.25B 100 10HP GE 1.5B 100 10HP GE 2B 150 15HP	GE 1.25B 100 10HP GE 1.5B 150 15HP GE 2B 200 20HP	GE 1.25B 150 15HP GE 1.5B 150 15HP GE 2B 250 25HP	GE 1.25B 150 15HP GE 1.5C 200 20HP	150
175	MODEL NO HP	GE 1.5A 30 3HP	GE 1.5A 50 5HP	GE 1.5A 75 7.5HP	GE 1.5A 75 7.5HP GE 1.5B 75 7.5HP GE 2B 100 10HP	GE 1.5B 75 7.5HP GE 2B 150 15HP	GE 1.5B 100 10HP GE 2B 150 15HP	GE 1.25B 150 15HP GE 2B 200 20HP	GE 1.25B 150 15HP GE 1.5D 250 25HP	GE 1.5C 200 20HP GE 1.5D 300 30HP	175
200	MODEL NO HP			GE 1.5A 75 7.5HP	GE 1.5A 75 7.5HP GE 2B 100 10HP GE 2.5B 150 15HP	GE 1.5B 100 10HP GE 2B 150 15HP GE 2.5B 200 20HP	GE 1.5B 150 15HP GE 2B 150 15HP	GE 1.5B 150 15HP GE 2B 200 20HP	GE 1.5D 250 25HP GE 2B 250 25HP	GE 1.5D 300 30HP GE 1.5C 200 20HP	200
225	MODEL NO HP				GE 2B 100 10HP GE 2.5B 150 15HP	GE 2B 150 15HP GE 2.5B 200 20HP	GE 2B 150 15HP	GE 2B 200 20HP GE 2.5C 300 30HP	GE 1.5D 250 25HP GE 2B 250 25HP GE 2.5C 300 30HP	GE 1.5D 300 30HP GE 2C 400 40HP GE 2.5C 400 40HP	225
250	MODEL NO HP				GE 2B 100 10HP GE 2.5B 150 15HP	GE 2B 150 15HP GE 2.5B 200 20HP	GE 2B 150 15HP GE 2C 250 25HP	GE 2B 200 20HP GE 2C 250 25HP GE 2.5C 300 30HP	GE 1.5D 250 25HP GE 2B 250 25HP GE 2C 300 30HP GE 2.5C 300 30HP	GE 1.5D 300 30HP GE 2C 400 40HP GE 2.5C 400 40HP	250
275	MODEL NO HP				GE 2B 150 15HP GE 2.5B 150 15HP	GE 2B 150 15HP GE 2.5B 200 20HP	GE 2B 150 15HP GE 2C 250 25HP	GE 2B 200 20HP GE 2C 250 25HP GE 2.5C 300 30HP	GE 1.5D 250 25HP GE 2B 250 25HP GE 2C 300 30HP GE 2.5C 300 30HP	GE 1.5D 300 30HP GE 2C 400 40HP GE 2.5C 400 40HP	275
300	MODEL NO HP				GE 2B 150 15HP GE 2.5B 150 15HP	GE 2B 150 15HP GE 2.5B 200 20HP	GE 2B 150 15HP GE 2C 250 25HP GE 3C 400 40HP	GE 2B 200 20HP GE 2C 250 25HP GE 2.5C 300 30HP GE 3C 400 40HP	GE 1.5D 300 30HP GE 2C 300 30HP GE 2.5C 300 30HP GE 3C 500 50HP	GE 1.5D 300 30HP GE 2C 400 40HP GE 2.5C 400 40HP GE 3C 600 60HP	300
325	MODEL NO HP				GE 2B 150 15HP GE 2.5B 150 15HP	GE 2B 150 15HP GE 2.5B 200 20HP	GE 2C 250 25HP GE 3C 400 40HP	GE 2C 250 25HP GE 2.5C 300 30HP GE 3C 400 40HP	GE 2C 300 30HP GE 2.5C 300 30HP GE 3C 500 50HP	GE 2C 400 40HP GE 2.5C 400 40HP GE 3C 600 60HP	325
350	MODEL NO HP			GE 3B 150 15HP	GE 2.5B 200 20HP GE 3B 150 15HP	GE 2.5B 200 20HP GE 3B 200 20HP	GE 2C 250 25HP GE 3B 300 30HP GE 3C 400 40HP	GE 2C 250 25HP GE 2.5C 300 30HP GE 3B 400 40HP GE 3C 400 40HP	GE 2C 300 30HP GE 2.5C 300 30HP GE 3B 400 40HP	GE 2C 400 40HP GE 2.5C 400 40HP GE 3C 600 60HP	350
375	MODEL NO HP			GE 3B 150 15HP	GE 2.5B 200 20HP GE 3B 150 15HP	GE 2.5B 200 20HP GE 3B 200 20HP	GE 2C 250 25HP GE 3B 300 30HP GE 3C 400 40HP	GE 2C 250 25HP GE 2.5C 300 30HP GE 3B 400 40HP GE 3C 400 40HP	GE 2C 400 40HP GE 2.5C 300 30HP GE 3B 400 40HP GE 3C 500 50HP	GE 2C 400 40HP GE 2.5C 400 40HP GE 3C 600 60HP	375
400	MODEL NO HP			GE 3B 150 15HP	GE 2.5B 200 20HP GE 3B 150 15HP	GE 2.5B 200 20HP GE 3B 200 20HP	GE 2.5B 200 20HP GE 2C 300 30HP GE 3B 300 30HP GE 3C 400 40HP	GE 2.5B 250 25HP GE 2C 300 30HP GE 2.5C 300 30HP GE 3B 400 40HP GE 3C 400 40HP	GE 2.5C 300 30HP GE 2C 400 40HP GE 3B 400 40HP GE 3C 500 50HP	GE 2.5C 400 40HP GE 2C 500 50HP GE 3C 600 60HP	400
425	MODEL NO HP			GE 3B 150 15HP	GE 2.5B 200 20HP GE 3B 150 15HP	GE 2.5B 200 20HP GE 3B 200 20HP	GE 2.5B 200 20HP GE 2C 300 30HP GE 3B 300 30HP GE 3C 400 40HP	GE 2.5B 300 30HP GE 2C 300 30HP GE 2.5C 400 40HP	GE 2.5C 400 40HP GE 2C 400 40HP GE 3B 400 40HP GE 3C 500 50HP	GE 2.5C 500 50HP GE 2C 500 50HP GE 3C 600 60HP	425
	TDH-FT	40	50	75	100	125	150	175	200	225	

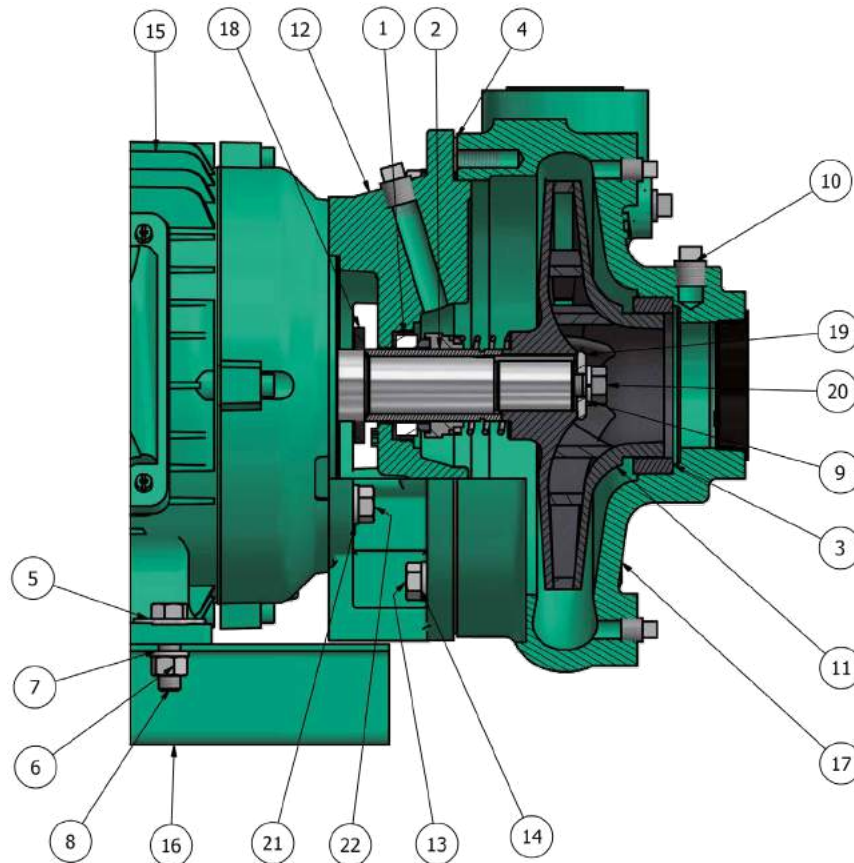
FLOW RATE GPM	TDH-FT	40	50	75	100	125	150	175	200	225	FLOW RATE GPM
450	MODEL NO HP			GE 3B 150 15HP	GE 2.5B 200 20HP GE 3B 200 20HP	GE 2.5B 200 20HP GE 3B 200 20HP	GE 2.5B 250 25HP GE 2C 300 30HP GE 3B 300 30HP GE 3C 400 40HP	GE 2.5B 300 30HP GE 2C 300 30HP GE 2.5C 400 40HP GE 3C 400 40HP	GE 2.5C 400 40HP GE 2C 400 40HP GE 3B 400 40HP GE 3C 500 50HP	GE 2.5C 400 40HP GE 2C 500 50HP GE 3C 600 60HP	450
475	MODEL NO HP			GE 3B 150 15HP	GE 3B 200 20HP GE 4B 300 30HP	GE 3B 200 20HP GE 4B 400 40HP	GE 2.5B 250 25HP GE 3B 300 30HP GE 3C 400 40HP GE 4B 400 40HP	GE 2.5B 300 30HP GE 2.5C 400 40HP GE 3B 400 40HP GE 3C 400 40HP GE 4B 500 50HP	GE 2.5C 400 40HP GE 3B 400 40HP GE 3C 500 50HP GE 4B 500 50HP	GE 2.5C 500 50HP GE 2C 500 50HP GE 3C 600 60HP	475
500	MODEL NO HP			GE 3B 150 15HP	GE 3B 200 20HP GE 4B 300 30HP	GE 3B 200 20HP GE 4B 400 40HP	GE 3B 300 30HP GE 3C 400 40HP GE 4B 400 40HP	GE 2.5C 400 40HP GE 3B 400 40HP GE 3C 500 50HP GE 4B 500 50HP	GE 2.5C 400 40HP GE 3C 600 60HP	GE 2.5C 500 50HP GE 2C 500 50HP GE 3C 600 60HP GE 4C 750 75HP	500
525	MODEL NO HP			GE 3B 150 15HP	GE 3B 200 20HP GE 4B 300 30HP	GE 3B 250 25HP GE 4B 400 40HP	GE 3B 400 40HP GE 3C 400 40HP GE 4B 400 40HP	GE 2.5C 400 40HP GE 3B 400 40HP GE 3C 500 50HP GE 4B 500 50HP GE 4C 600 60HP	GE 2.5C 400 40HP GE 3C 600 60HP GE 4C 600 60HP	GE 2.5C 500 50HP GE 2C 500 50HP GE 3C 600 60HP GE 4C 750 75HP	525
550	MODEL NO HP			GE 3B 150 15HP	GE 3B 200 20HP GE 4B 300 30HP	GE 3B 250 25HP GE 4B 400 40HP	GE 3B 400 40HP GE 3C 400 40HP GE 4B 400 40HP	GE 2.5C 400 40HP GE 3B 400 40HP GE 3C 500 50HP GE 4B 500 50HP GE 4C 600 60HP	GE 2.5C 400 40HP GE 3C 600 60HP GE 4C 600 60HP	GE 2.5C 500 50HP GE 2C 500 50HP GE 3C 600 60HP GE 4C 750 75HP	550
575	MODEL NO HP	RTF	RTF	GE 3B 200 20HP	GE 3B 200 20HP GE 4B 300 30HP	GE 3B 250 25HP GE 4B 400 40HP	GE 3B 400 40HP GE 3C 400 40HP GE 4B 400 40HP	GE 2.5C 400 40HP GE 3B 400 40HP GE 3C 500 50HP GE 4C 600 60HP	GE 2.5C 400 40HP GE 3C 600 60HP GE 4C 600 60HP	GE 2.5C 500 50HP GE 2C 500 50HP GE 3C 600 60HP GE 4C 750 75HP	575
600	MODEL NO HP	RTF	RTF	GE 3B 200 20HP	GE 3B 200 20HP GE 4B 300 30HP	GE 3B 250 25HP GE 4B 400 40HP	GE 3B 400 40HP GE 3C 500 50HP GE 4B 400 40HP	GE 2.5C 400 40HP GE 3B 400 40HP GE 3C 500 50HP GE 4C 600 60HP	GE 2.5C 400 40HP GE 3C 600 60HP GE 4C 600 60HP	GE 2.5C 500 50HP GE 2C 500 50HP GE 3C 750 75HP GE 4C 750 75HP	600
625	MODEL NO HP	RTF	RTF	GE 3B 200 20HP	GE 3B 200 20HP GE 4B 300 30HP	GE 3B 250 25HP GE 4B 400 40HP	GE 3B 400 40HP GE 3C 500 50HP GE 4B 400 40HP	GE 3B 400 40HP GE 4B 500 50HP GE 4C 600 60HP	GE 3C 600 60HP GE 4C 600 60HP	GE 3C 750 75HP GE 4C 750 75HP	625
650	MODEL NO HP	RTF	RTF	GE 3B 200 20HP	GE 3B 200 20HP GE 4B 300 30HP	GE 3B 300 30HP GE 4B 400 40HP	GE 3B 400 40HP GE 3C 500 50HP GE 4B 400 40HP	GE 3B 400 40HP GE 3C 500 50HP GE 4B 500 50HP GE 4C 600 60HP	GE 3C 600 60HP GE 4C 600 60HP	GE 3C 750 75HP GE 4C 750 75HP	650
675	MODEL NO HP	RTF	RTF	RTF	GE 4B 300 30HP	GE 4B 400 40HP	GE 3C 500 50HP GE 4B 400 40HP	GE 3C 500 50HP GE 4B 500 50HP GE 4C 600 60HP	GE 3C 600 60HP GE 4C 600 60HP	GE 3C 750 75HP GE 4C 750 75HP	675
700	MODEL NO HP	RTF	RTF	RTF	GE 4B 300 30HP	GE 4B 400 40HP	GE 3C 500 50HP GE 4B 500 50HP	GE 3C 500 50HP GE 4B 500 50HP GE 4C 600 60HP	GE 3C 600 60HP GE 4C 750 75HP	GE 3C 750 75HP GE 4C 750 75HP	700
725	MODEL NO HP	RTF	RTF	RTF	GE 4B 300 30HP	GE 4B 400 40HP	GE 3C 500 50HP GE 4B 500 50HP	GE 4B 500 50HP GE 4C 600 60HP	GE 4C 750 75HP	GE 3C 750 75HP GE 4C 750 75HP	725
750	MODEL NO HP	RTF	RTF	RTF	GE 4B 300 30HP	GE 4B 400 40HP	GE 3C 500 50HP GE 4B 500 50HP	GE 4B 500 50HP GE 4C 600 60HP	GE 4C 750 75HP	GE 4C 750 75HP	750
775	MODEL NO HP	RTF	RTF	RTF	GE 4B 300 30HP	GE 4B 400 40HP	GE 3C 500 50HP GE 4B 500 50HP	GE 4B 500 50HP GE 4C 600 60HP	GE 4C 750 75HP	GE 4C 750 75HP	775
800	MODEL NO HP	RTF	RTF	RTF	GE 4B 300 30HP	GE 4B 400 40HP	GE 3C 500 50HP GE 4B 500 50HP	GE 4B 500 50HP GE 4C 600 60HP	GE 4C 750 75HP	GE 4C 1000 100HP	800
825	MODEL NO HP	RTF	RTF	RTF	GE 4B 300 30HP	GE 4B 400 40HP	GE 4B 500 50HP	GE 4B 500 50HP GE 4C 600 60HP	GE 4C 750 75HP	GE 4C 1000 100HP	825
850	MODEL NO HP	RTF	RTF	RTF	GE 4B 300 30HP	GE 4B 400 40HP	GE 4B 500 50HP	GE 4C 600 60HP	GE 4C 750 75HP	GE 4C 1000 100HP	850
875	MODEL NO HP	RTF	RTF	RTF	GE 4B 300 30HP	GE 4B 400 40HP	GE 4B 500 50HP	GE 4C 600 60HP	GE 4C 750 75HP	GE 4C 1000 100HP	875
900	MODEL NO HP	RTF	RTF	RTF	GE 4B 400 40HP	GE 4B 500 50HP	GE 4B 500 50HP	GE 4C 600 60HP	GE 4C 750 75HP	GE 4C 1000 100HP	900
925	MODEL NO HP	RTF	RTF	RTF	GE 4B 400 40HP	GE 4B 500 50HP	GE 4B 500 50HP	GE 4C 600 60HP	GE 4C 750 75HP	GE 4C 1000 100HP	925
950	MODEL NO HP	RTF	RTF	RTF	GE 4B 400 40HP	GE 4B 500 50HP	GE 4B 500 50HP	GE 4C 600 60HP	GE 4C 750 75HP	GE 4C 1000 100HP	950
975	MODEL NO HP	RTF	RTF	RTF	GE 4B 400 40HP	GE 4B 500 50HP	GE 4B 500 50HP	GE 4C 600 60HP	GE 4C 750 75HP	GE 4C 1000 100HP	975
1000	MODEL NO HP	RTF	RTF	RTF	GE 4B 400 40HP	GE 4B 500 50HP	GE 4B 500 50HP	GE 4C 600 60HP	GE 4C 750 75HP	GE 4C 1000 100HP	1000
	TDH-FT	40	50	75	100	125	150	175	200	225	

RTF: Refer to factory for other selections.

1200 RPM: Requires 1200 Rpm Selection. RTF

3600 RPM: Requires 3600 Rpm Selection. Refer to those tables for end suction.

Technical features are subject to change without notice.



ITEM	QTY	DESCRIPTION	MATERIAL
1	1	MECHANICAL SEAL	CARBON / CERAMIC / BUNA
2	1	SHAFT SLEEVE	STAINLESS STEEL AISI 304
3	1	FRONT CASE WEAR RING	BRONZE B148
4	1	GASKET CASING	STANDARD PAPER GASKET
5	4	WASHER	CARBON STEEL
6	4	HEX NUT	CARBON STEEL
7	4	LOCK WASHER	CARBON STEEL
8	4	HEX CAP SCREW	CARBON STEEL
9	1	LOCK WASHER	STAINLESS STEEL AISI 304
10	1	PIPE PLUG	CARBON STEEL
11	1	IMPELLER	STAINLESS STEEL AISI 304

ITEM	QTY	DESCRIPTION	MATERIAL
12	1	BRACKET	CAST IRON ASTM A48
13	6	HEX CAP SCREW	CARBON STEEL
14	6	LOCK WASHER	CARBON STEEL
15	1	MOTOR	CHECK INFO WITH SUPPLIER
16	1	BASE RAIL	CARBON STEEL
17	1	CASING	CAST IRON ASTM A48
18	1	SLINGER	BUNA
19	1	WASHER, IMPELLER	STAINLESS STEEL AISI 304
20	1	HEX BOLT	STAINLESS STEEL AISI 304
21	4	LOCK WASHER	CARBON STEEL
22	4	HEX BOLT	CARBON STEEL

* This part could change depending of the reference, please contact our sales department in order to clarify any dudas.

Technical features are subject to change without notice.

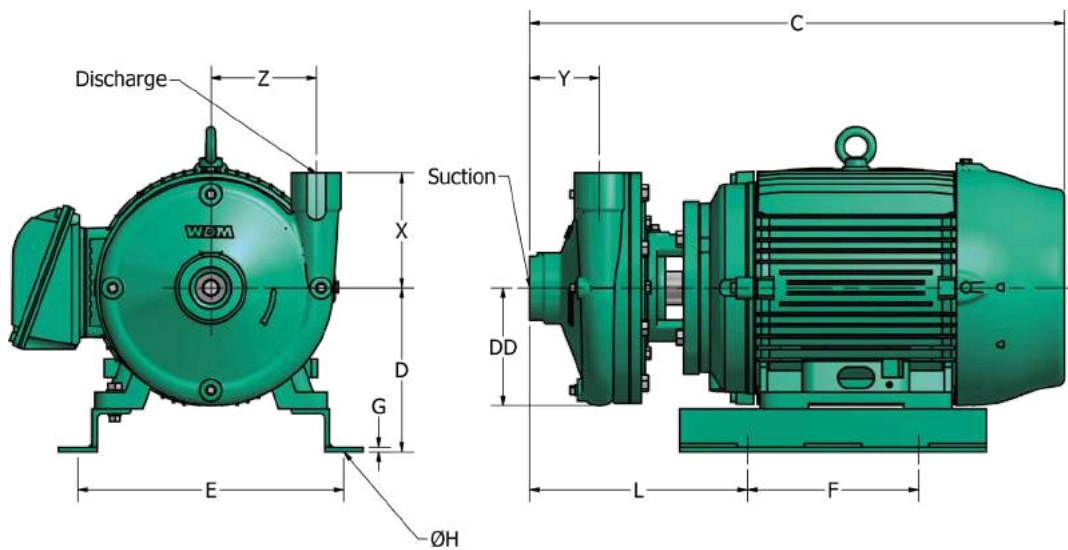
Dimensionals
GE Series
Small Size

GS Pumps
Close Coupled

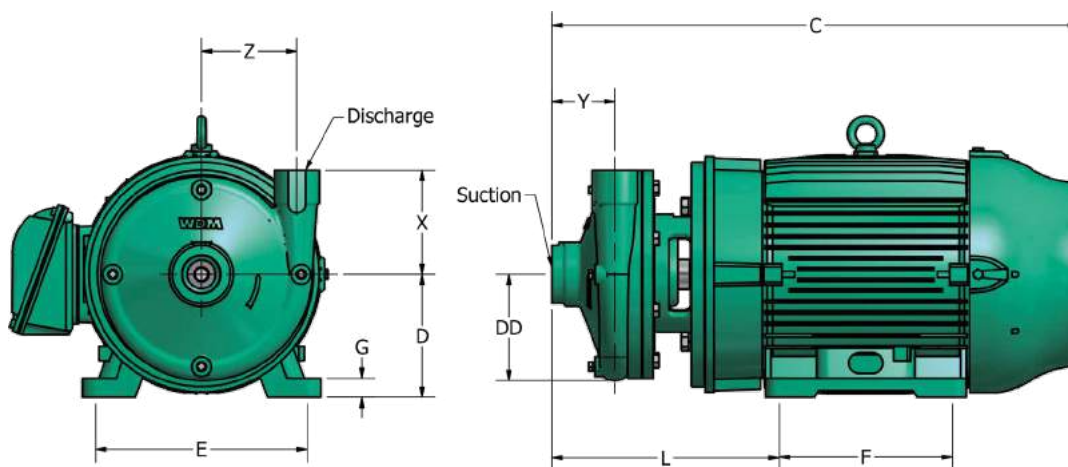


www.wdmpumps.com

Drawing 1



Drawing 2



Motor dimensions may vary by motor manufacturer.

Technical features are subject to change without notice.

Dimensions 3600 rpm - 2 poles (inches)																
Model	Ref.	Drawing	C	D	DD	E	F	G	H	L	X	Y	Z	Frame	Suc	Disc
GE 1B 20	1B0205S	1	18 1/2"	5"	4 3/8"	11 3/16"	7 1/8"	1/8"	7/16"	7 9/16"	4 1/2"	3 1/4"	4 1/16"	145JM	1 1/4"	1"
GE 1B 30	1B0206S	1	19 1/4"	6"	4 3/8"	11 11/16"	7 1/8"	1/8"	7/16"	7 1/4"	4 1/2"	3 1/4"	4 1/16"	182JM	1 1/4"	1"
GE 1B 50	1B0207S	1	20 1/4"	6 1/4"	4 3/8"	12 1/2"	7"	1/8"	7/16"	8"	4 1/2"	3 1/4"	4 1/16"	184JM	1 1/4"	1"
GE 1B 75	1B0208S	2	21 7/8"	5 1/4"	4 3/8"	9 3/4"	5 1/2"	1"	7/16"	10 3/4"	4 1/2"	3 1/4"	4 1/16"	184JM	1 1/4"	1"
GE 1B 100	1B0209S	2	23 3/8"	5 1/4"	4 3/8"	9 11/16"	7"	1"	7/16"	10 3/4"	4 1/2"	3 1/4"	4 1/16"	215JM	1 1/4"	1"

GE 1.25A 7	1B0210S	2	17 3/16"	4 1/2"	3 1/2"	4 5/8"	3 5/8"	7/16"	7/16"	4 5/8"	3 1/2"	2 1/2"	3 1/6"	56J	1 1/2"	1 1/4"
GE 1.25A 10	1B0211S	2	18 3/16"	4 1/2"	3 1/2"	4 5/8"	3 5/8"	7/16"	7/16"	5 5/8"	3 1/2"	2 1/2"	3 1/6"	56J	1 1/2"	1 1/4"
GE 1.25A 15	1B0212S	2	19 3/16"	4 1/2"	3 1/2"	4 5/8"	3 5/8"	7/16"	7/16"	6 5/8"	3 1/2"	2 1/2"	3 1/6"	56J	1 1/2"	1 1/4"
GE 1.25A 20	1B0213S	2	20 3/16"	4 1/2"	3 1/2"	4 5/8"	3 5/8"	7/16"	7/16"	7 5/8"	3 1/2"	2 1/2"	3 1/6"	56J	1 1/2"	1 1/4"
GE 1.25A 30	1B0214S	2	21 3/16"	4 1/2"	3 1/2"	4 5/8"	3 5/8"	7/16"	7/16"	8 5/8"	3 1/2"	2 1/2"	3 1/6"	56J	1 1/2"	1 1/4"

GE 1.25B 50	1B0215S	1	20 7/16"	6 1/4"	4 3/4"	12,5"	7"	1/8"	7/16"	8 9/16"	4 1/2"	3 5/16"	4 5/16"	184JM	1 1/2"	1 1/4"
GE 1.25B 75	1B0216S	2	22 7/16"	5 1/4"	4 3/4"	9 3/4"	5 1/2"	1"	7/16"	11 5/16"	4 1/2"	3 5/16"	4 5/16"	184JM	1 1/2"	1 1/4"
GE 1.25B 100	1B0217S	2	23 7/8"	5 3/16"	4 3/4"	9 3/4"	7"	1"	7/16"	11 1/4"	4 1/2"	3 5/16"	4 5/16"	215JM	1 1/2"	1 1/4"
GE 1.25B 150	1B0218S	2	27 7/8"	6 1/4"	4 3/4"	12 1/8"	8 1/4"	1"	1/2"	12 15/16"	4 1/2"	3 5/16"	4 5/16"	215JM	1 1/2"	1 1/4"

GE 1.5A 20	1B0450S	1	18 1/2"	5"	3 3/4"	11 3/16"	7 1/8"	1/8"	7/16"	7 1/6"	4"	3 1/4"	3 1/4"	145JM	2"	1 1/2"
GE 1.5A 30	1B0451S	1	19 1/4"	6"	3 3/4"	11 5/8"	7 1/8"	1/8"	7/16"	6 3/4"	4"	3 1/4"	3 1/4"	182JM	2"	1 1/2"
GE 1.5A 50	1B0452S	1	19 3/4"	6 1/4"	3 3/4"	11"	7"	1/8"	7/16"	7 1/2"	4"	3 1/4"	3 1/4"	184JM	2"	1 1/2"
GE 1.5A 75	1B0453S	2	21 7/8"	5 1/4"	3 3/4"	8 1/2"	5 1/2"	1"	7/16"	10 1/8"	4"	3 1/4"	3 1/4"	184JM	2"	1 1/2"

GE 1.5B 50	1B0454S	1	20 3/8"	6 1/4"	5"	11"	7"	1/8"	7/16"	8 1/8"	5 1/8"	3 1/8"	4 3/8"	184JM	2"	1 1/2"
GE 1.5B 75	1B0455S	2	22"	5 1/4"	5"	8 1/2"	5 1/2"	1"	7/16"	10 7/8"	5 1/8"	3 1/8"	4 3/8"	184JM	2"	1 1/2"
GE 1.5B 100	1B0456S	2	23 1/2"	5 1/4"	5"	8 1/2"	7"	1"	7/16"	10 7/8"	5 1/8"	3 1/8"	4 3/8"	215JM	2"	1 1/2"
GE 1.5B 150	1B0457S	2	27 1/2"	6 1/4"	5"	10"	8 1/4"	1"	1/2"	12 1/2"	5 1/8"	3 1/8"	4 3/8"	215JM	2"	1 1/2"

Dimensions 1800 rpm - 4 poles (inches)																
Modell	Ref.	Drawing	C	D	DD	E	F	G	H	L	X	Y	Z	Frame	Suc	Disc
GE 1B 10-4	1B0460S	1	17 13/16"	5 1/16"	4 5/16"	9 11/16"	7 1/8"	1/8"	3/8"	8 3/4"	4 1/2"	3 1/4"	4 1/16"	143JM	1 1/4"	1"
GE 1B 15-4	1B0461S	1	18 1/2"	4 15/16"	4 5/16"	9 11/16"	7 1/8"	1/8"	3/8"	7 9/16"	4 1/2"	3 1/4"	4 1/16"	145JM	1 1/4"	1"

GE 1.25A 3-4	1B0462S	2	17 3/16"	4 1/2"	3 1/2"	4 5/8"	3 5/8"	7/16"	7/16"	4 11/16"	3 1/2"	2 1/2"	3 1/8"	56J	1 1/2"	1 1/4"
GE 1.25A 5-4	1B0463S	2	17 3/16"	4 1/2"	3 1/2"	4 5/8"	3 5/8"	7/16"	7/16"	4 11/16"	3 1/2"	2 1/2"	3 1/8"	56J	1 1/2"	1 1/4"

GE 1.25B 10-4	1B0464S	1	18 1/8"	5 1/16"	4 3/4"	9 11/16"	7 1/8"	1/8"	3/8"	8 1/16"	4 1/2"	3 5/16"	4 5/16"	143JM	1 1/2"	1 1/4"
GE 1.25B 15-4	1B0465S	1	19 1/16"	5 1/16"	4 3/4"	9 11/16"	7 1/8"	1/8"	3/8"	8 1/16"	4 1/2"	3 5/16"	4 5/16"	145JM	1 1/2"	1 1/4"
GE 1.25B 20-4	1B0466S	1	19 1/16"	5 1/16"	4 3/4"	9 11/16"	7 1/8"	1/8"	3/8"	8 1/16"	4 1/2"	3 5/16"	4 5/16"	145JM	1 1/2"	1 1/4"

GE 1.5A 10-4	1B0467S	1	17	4 15/16"	3 11/16"	9 11/16"	7 1/8"	1/8"	3/8"	7 1/16"	4	3 1/4"	3 3/16"	143JM	2"	1 1/2"
--------------	---------	---	----	----------	----------	----------	--------	------	------	---------	---	--------	---------	-------	----	--------

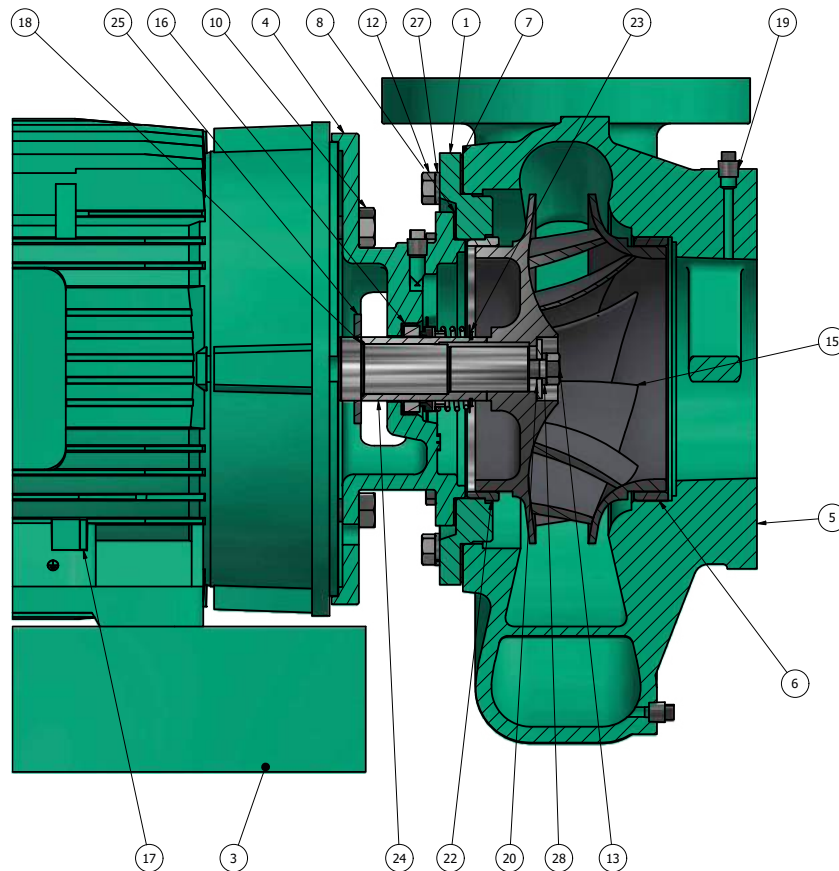
GE 1.5B 10-4	1B0468S	1	17 11/16"	5	5	9 11/16"	7 1/8"	1/8"	3/8"	7 11/16"	5 1/8"	3 1/8"	4 3/8"	143JM	2"	1 1/2"
GE 1.5B 15-4	1B0469S	1	18 5/8"	5	5	9 11/16"	7 1/8"	1/8"	3/8"	7 11/16"	5 1/8"	3 1/8"	4 3/8"	145JM	2"	1 1/2"
GE 1.5B 20-4	1B0470S	1	18 5/8"	5	5	9 11/16"	7 1/8"	1/8"	3/8"	7 11/16"	5 1/8"	3 1/8"	4 3/8"	145JM	2"	1 1/2"

Sectional GE Series

Sectional GE Series



www.wdmpumps.com



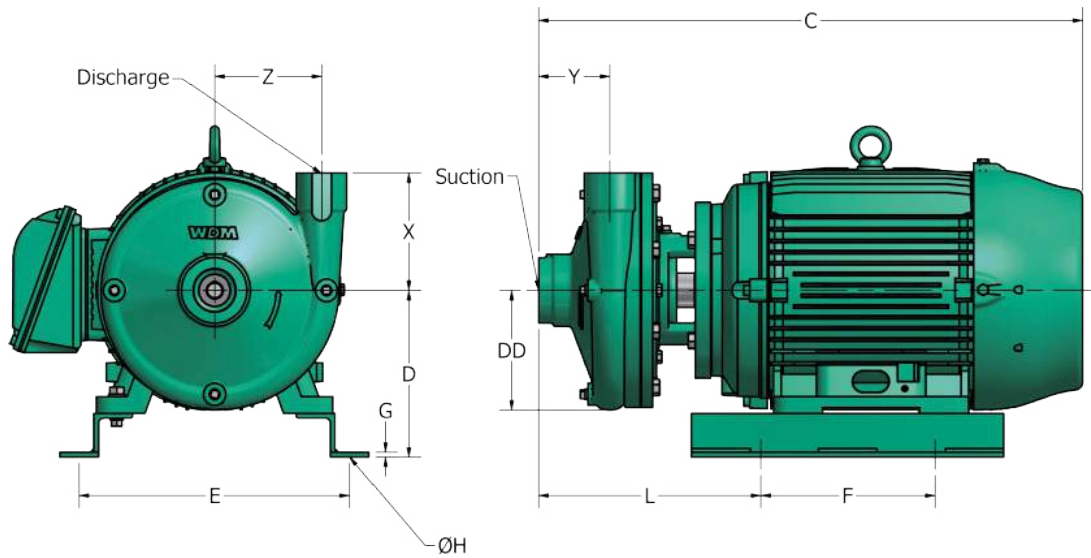
ITEM	QTY	DESCRIPTION	MATERIAL
1	1	BACKPLATE	CAST IRON ASTM A48
2	1	BASE RAIL LEFT	CARBON STEEL
3	1	BASE RAIL RIGTH	CARBON STEEL
4	1	BRACKET	CAST IRON ASTM A48
5	1	CASING	CAST IRON ASTM A48
6	1	FRONT CASE WEAR RING	BRONZE B148
7	1	GASKET	STANDARD PAPER GASKET
8	1	GASKET, CASING	STANDARD PAPER GASKET
9	4	HEX BOLT	CARBON STEEL
10	4	HEX BOLT	CARBON STEEL
11	6	HEX BOLT , BRACKET	CARBON STEEL
12	8	HEX BOLT , CASING	CARBON STEEL
13	1	HEX BOLT, IMPELLER	STAINLESS STEEL AISI 304
14	4	HEX NUT	CARBON STEEL

ITEM	QTY	DESCRIPTION	MATERIAL
15	1	IMPELLER	STAINLESS STEEL AISI 304
16	1	MECHANICAL SEAL	CARBON / CERAMIC / BUNA
17	1	MOTOR	CHECK INFO WITH SUPPLIER
18	1	O-RING	BUNA
19	8	PIPE PLUG	CARBON STEEL
20	1	PLAIN WASHER	STAINLESS STEEL AISI 304
21	4	PLAIN WASHER	CARBON STEEL
22	1	REAR WEAR RING **	BRONZE B148
23	1	RETAINING RING	STAINLESS STEEL AISI 304
24	1	SHAFT SLEEVE	STAINLESS STEEL AISI 304
25	1	SLINGER	BUNA
26	4	WASHER, LOCK	CARBON STEEL
27	8	WASHER, LOCK CASING	CARBON STEEL
28	1	WASHER, LOCK, IMPELLER	STAINLESS STEEL AISI 304

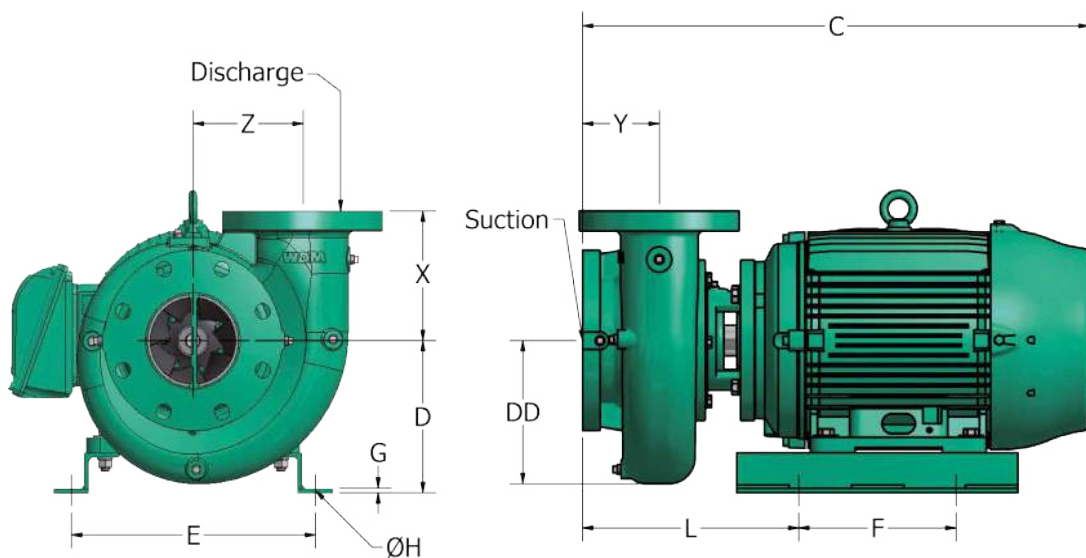
* This part could change depending of the reference, please contact our sales department in order to clarify any dudas.

Technical features are subject to change without notice.

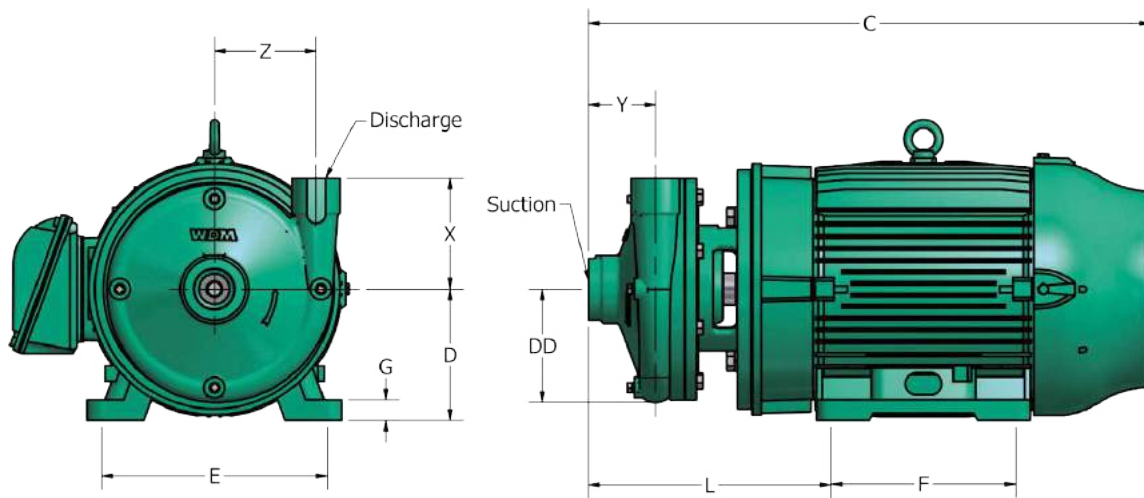
Drawing 1



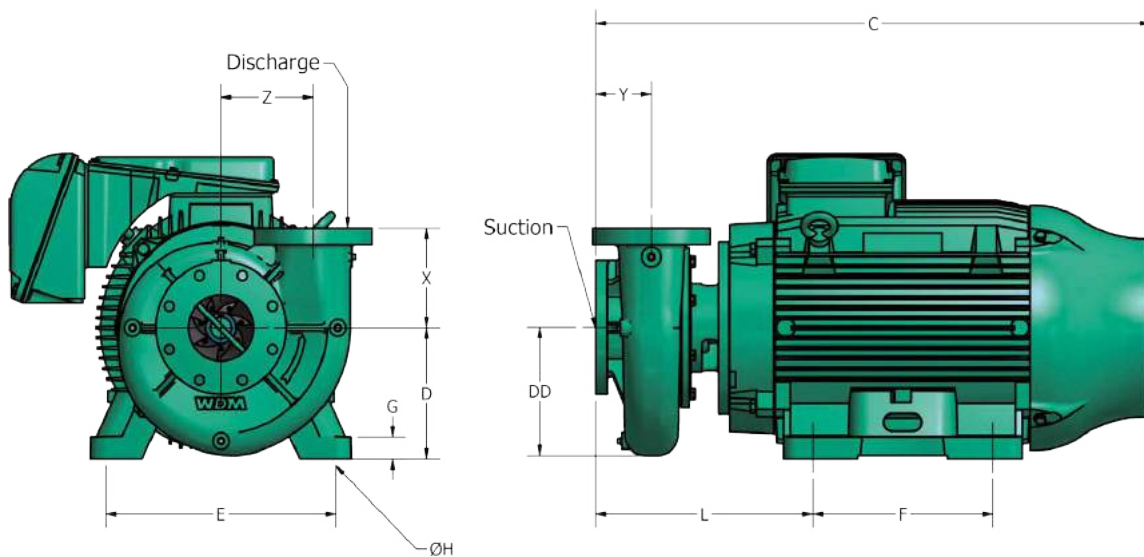
Drawing 2



Drawing 3



Drawing 4



Dimensions (inches)

Model	Ref.	Drawing	C	D	DD	E	F	G	H	L	X	Y	Z	Frame	Suc	Disc
GE 1.5C 100	1B0001S	1	22 1/4"	7"	6 3/16"	12"	7"	1/8"	7/16"	9 3/16"	6"	3 5/8"	5 1/2"	215JM	2"	1.5"
GE 1.5C 150	1B0002S	1	27 7/8"	8 9/16"	6 3/16"	13 7/8"	8 15/16"	1/4"	7/16"	11 5/16"	6"	3 5/8"	5 1/2"	254JM	2"	1.5"
GE 1.5C 200	1B0003S	1	28"	8 9/16"	6 3/16"	13 7/8"	8 15/16"	1/4"	7/16"	11 5/16"	6"	3 5/8"	5 1/2"	256JM	2"	1.5"
GE 1.5C 250	1B0004S	3	30 3/8"	7"	6 3/16"	11"	9 1/2"	1"	9/16"	13 3/8"	6"	3 5/8"	5 1/2"	284JM	2"	1.5"
GE 1.5D 200	1B0005S	1	28"	8 9/16"	6 3/16"	13 7/8"	8 15/16"	1/4"	7/16"	11 5/16"	6"	3 5/8"	5 1/2"	256JM	2"	1.5"
GE 1.5D 250	1B0006S	3	30 3/8"	7"	6 3/16"	11"	9 1/2"	1"	9/16"	13 3/8"	6"	3 5/8"	5 1/2"	284JM	2"	1.5"
GE 1.5D 300	1B0007S	3	33"	7"	6 3/16"	11"	11"	1"	1/2"	13 7/8"	6"	3 5/8"	5 1/2"	286JM	2"	1.5"
GE 1.5D 400	1B0008S	3	34 1/2"	8"	6 3/16"	12 1/2"	10 1/2"	1 5/16"	11/16"	13 7/8"	6"	3 5/8"	5 1/2"	324JM	2"	1.5"
GE 1.5D 500	1B0009S	3	38"	8"	6 3/16"	12 1/2"	12"	1 5/16"	3/4"	14 7/16"	6"	3 5/8"	5 1/2"	326JM	2"	1.5"
GE 1.5D 600	1B0010S	3	39"	9"	6 3/16"	14"	11 1/4"	1 1/2"	11/16"	14 1/2"	6"	3 5/8"	5 1/2"	364JM	2"	1.5"

Motor dimensions may vary by motor manufacturer.

Technical features are subject to change without notice.

Dimensions (inches)																
Model	Ref.	Drawing	C	D	DD	E	F	G	H	L	X	Y	Z	Frame	Suc	Disc
GE 2B 75	1B0011S	1	22 11/16"	7"	5 1/8"	12"	7"	1/8"	7/16"	9 11/16"	5 3/8"	4"	4 1/2"	213JM	2.5"	2"
GE 2B 100	1B0012S	1	24 3/16"	7"	5 1/8"	12"	7"	1/8"	7/16"	11 7/8"	5 3/8"	4"	4 1/2"	215JM	2.5"	2"
GE 2B 150	1B0013S	1	28 1/4"	8 9/16"	5 1/8"	13 7/8"	8 15/16"	1/4"	7/16"	13 5/16"	5 3/8"	4"	4 1/2"	254JM	2.5"	2"
GE 2B 200	1B0014S	1	28 1/4"	8 9/16"	5 1/8"	13 7/8"	8 15/16"	1/4"	7/16"	13 5/16"	5 3/8"	4"	4 1/2"	256JM	2.5"	2"
GE 2B 250	1B0015S	3	30 9/16"	7"	5 1/8"	11"	9 1/2"	1"	9/16"	13 1/2"	5 3/8"	4"	4 1/2"	284JM	2.5"	2"
GE 2C 200	1B0016S	1	28 5/16"	8 9/16"	6 5/8"	13 7/8"	8 15/16"	1/4"	7/16"	11 13/16"	6"	3 3/4"	5 3/4"	256JM	2.5"	2"
GE 2C 250	1B0017S	3	30 7/8"	7"	6 5/8"	11"	9 1/2"	1"	9/16"	10"	6"	3 3/4"	5 3/4"	284JM	2.5"	2"
GE 2C 300	1B0018S	3	33 7/16"	7"	6 5/8"	11"	11"	1"	1/2"	14 3/8"	6"	3 3/4"	5 3/4"	286JM	2.5"	2"
GE 2C 400	1B0019S	3	34 15/16"	8"	6 5/8"	12 1/2"	10 1/2"	1 5/16"	11/16"	14 3/8"	6"	3 3/4"	5 3/4"	324JM	2.5"	2"
GE 2C 500	1B0020S	3	37 11/16"	8"	6 5/8"	12 1/2"	12"	1 5/16"	3/4"	9 1/4"	6"	3 3/4"	5 3/4"	326JM	2.5"	2"
GE 2C 600	1B0021S	3	38 1/16"	9"	6 5/8"	14"	11 1/4"	1 1/2"	11/16"	14 1/2"	6"	3 3/4"	5 3/4"	364JM	2.5"	2"
GE 2.5B 75	1B0022S	2	23 5/16"	7"	5 3/8"	12"	7"	1/8"	7/16"	11 9/16"	5 5/8"	3 5/8"	4 1/4"	213JM	3"	2.5"
GE 2.5B 100	1B0023S	2	24 1/8"	7"	5 3/8"	12"	7"	1/8"	7/16"	11 9/16"	5 5/8"	3 5/8"	4 1/4"	215JM	3"	2.5"
GE 2.5B 150	1B0024S	2	28 1/4"	8 9/16"	5 3/8"	13 7/8"	8 15/16"	1/4"	7/16"	11 11/16"	5 5/8"	3 5/8"	4 1/4"	254JM	3"	2.5"
GE 2.5B 200	1B0025S	2	28 5/16"	8 9/16"	5 3/8"	13 7/8"	8 15/16"	1/4"	7/16"	11 11/16"	5 5/8"	3 5/8"	4 1/4"	256JM	3"	2.5"
GE 2.5B 250	1B0026S	4	30 3/4"	7"	5 3/8"	11"	9 1/2"	1"	9/16"	13 3/4"	5 5/8"	3 5/8"	4 1/4"	284JM	3"	2.5"
GE 2.5B 300	1B0027S	4	32 1/4"	7"	5 3/8"	11"	11"	1"	1/2"	13 3/4"	5 5/8"	3 5/8"	4 1/4"	286JM	3"	2.5"
GE 2.5C 200	1B0028S	2	29 1/4"	8 9/16"	6 3/4"	13 7/8"	8 15/16"	1/4"	7/16"	12 3/4"	6 3/4"	4 1/8"	6"	256JM	3"	2.5"
GE 2.5C 250	1B0029S	2	31 3/8"	10 1/4"	6 3/4"	11 1/4"	16"	1/4"	9/16"	10 7/8"	6 3/4"	4 1/8"	6"	284JM	3"	2.5"
GE 2.5C 300	1B0030S	4	31 7/8"	7"	6 3/4"	11"	11"	1"	1/2"	12"	6 3/4"	4 1/8"	6"	286JM	3"	2.5"
GE 2.5C 400	1B0031S	4	35 7/8"	8"	6 3/4"	12 1/2"	10 1/2"	1 5/16"	11/16"	12"	6 3/4"	4 1/8"	6"	324JM	3"	2.5"
GE 2.5C 500	1B0032S	4	38 5/8"	8"	6 3/4"	12 1/2"	12"	1 5/16"	3/4"	15 7/16"	6 3/4"	4 1/8"	6"	326JM	3"	2.5"
GE 2.5C 600	1B0033S	4	39 3/8"	9"	6 3/4"	14"	11 1/4"	1 1/2"	11/16"	15 7/8"	6 3/4"	4 1/8"	6"	364JM	3"	2.5"
GE 2.5C 750	1B0034S	4	40 5/16"	9"	6 3/4"	14"	12 1/4"	1 1/2"	11/16"	16 13/16"	6 3/4"	4 1/8"	6"	365JM	3"	2.5"
GE 3B 100	1B0035S	2	24 5/8"	7"	6 1/4"	12"	7"	1/8"	7/16"	18 1/2"	6"	4 1/8"	5"	215JM	4"	3"
GE 3B 150	1B0036S	2	28 3/4"	8 1/2"	6 1/4"	13 7/8"	8 15/16"	1/4"	7/16"	12 1/4"	6"	4 1/8"	5"	254JM	4"	3"
GE 3B 200	1B0037S	2	28 13/16"	8 1/2"	6 1/4"	13 7/8"	8 15/16"	1/4"	7/16"	12 1/4"	6"	4 1/8"	5"	256JM	4"	3"
GE 3B 250	1B0038S	2	31"	10 1/4"	6 1/4"	11 1/4"	16"	1/4"	9/16"	10 1/8"	6"	4 1/8"	5"	284JM	4"	3"
GE 3B 300	1B0039S	4	33 7/8"	7"	6 1/4"	11"	11"	1"	1/2"	14 13/16"	6"	4 1/8"	5"	286JM	4"	3"
GE 3B 400	1B0040S	4	33 7/8"	8"	6 1/4"	12 1/2"	10 1/2"	1 5/16"	11/16"	14 13/16"	6"	4 1/8"	5"	324JM	4"	3"
GE 3C 250	1B0041S	2	31"	10 1/4"	8"	11 1/4"	16"	1/4"	9/16"	12 3/8"	7"	4"	6 1/4"	284JM	4"	3"
GE 3C 300	1B0042S	2	33 1/2"	13 7/8"	8"	12 1/2"	11 7/16"	1 5/16"	9/16"	12 3/16"	7"	4"	6 1/4"	286JM	4"	3"
GE 3C 400	1B0043S	2	33 9/16"	12"	8"	12 1/2"	14 1/2"	5/16"	9/16"	10 3/16"	7"	4"	6 1/4"	324JM	4"	3"
GE 3C 500	1B0044S	2	37 3/4"	12"	8"	12 1/2"	14 1/2"	5/16"	9/16"	14 5/8"	7"	4"	6 1/4"	326JM	4"	3"
GE 3C 600	1B0045S	4	38"	9"	8"	14"	11 1/4"	1 1/2"	11/16"	15 3/16"	7"	4"	6 1/4"	364JM	4"	3"
GE 3C 750	1B0046S	4	40"	9"	8"	14"	12 1/4"	1 1/2"	11/16"	15 1/16"	7"	4"	6 1/4"	365JM	4"	3"
GE 3H 750	1B0144S	4	41 15/16"	9"	7 15/16"	14"	12 1/4"	1 1/2"	11/16"	18 7/16"	11"	4 7/8"	6 1/2"	365JM	5"	3"
GE 3H 1000	1B0145S	4	43 1/8"	10"	7 15/16"	16"	13 3/4"	1 13/16"	13/16"	18 7/16"	11"	4 7/8"	6 1/2"	405JP	5"	3"
GE 3H 1250	1B0146	4	44 63/64"	9-55/64"	7 57/64"	15-63/64"	12 1/4"	1 21/32"	15/16"	19 3/16"	11"	4 7/8"	6 7/16"	444JP	5"	3"
GE 4B 250	1B0047S	2	31 9/16"	10 1/4"	8"	11 1/4"	16"	1/4"	9/16"	10 11/16"	7 1/4"	4 3/8"	6 1/4"	284JM	5"	4"
GE 4B 300	1B0048S	2	34"	13 7/8"	8"	12 1/2"	11 7/16"	1 5/16"	9/16"	12 1/2"	7 1/4"	4 3/8"	6 1/4"	286JM	5"	4"
GE 4B 400	1B0049S	2	33 15/16"	13 7/8"	8"	12 1/2"	11 7/16"	1 5/16"	9/16"	12 1/2"	7 1/4"	4 3/8"	6 1/4"	324JM	5"	4"
GE 4B 500	1B0050S	4	35 1/2"	8"	8"	12 1/2"	12"	1 5/16"	3/4"	14 7/8"	7 1/4"	4 3/8"	6 1/4"	326JM	5"	4"
GE 4C 500	1B0051S	4	39 1/2"	8"	9 1/2"	12 1/2"	12"	1 5/16"	3/4"	18 1/2"	7 1/2"	4 1/4"	6 7/8"	326JM	5"	4"
GE 4C 600	1B0137S	4	42"	9"	9 1/2"	14"	11 1/4"	1 1/2"	11/16"	13 3/16"	7 1/2"	4 1/4"	6 7/8"	364JM	5"	4"
GE 4C 750	1B0052S	4	44"	9"	9 1/2"	14"	12 1/4"	1 1/2"	11/16"	18 1/2"	7 1/2"	4 1/4"	6 7/8"	365JM	5"	4"
GE 4C 1000	1B0053S	4	45"	10"	9 1/2"	16"	13 3/4"	1 13/16"	13/16"	19 1/4"	7 1/2"	4 1/4"	6 7/8"	405JP	5"	4"
GE 4C 1250	1B0054S	4	44 15/16"	10"	9 1/2"	16"	13 3/4"	1 13/16"	13/16"	19 1/16"	7 1/2"	4 1/4"	6 7/8"	404JP	5"	4"

Motor dimensions may vary by motor manufacturer.

Technical features are subject to change without notice.

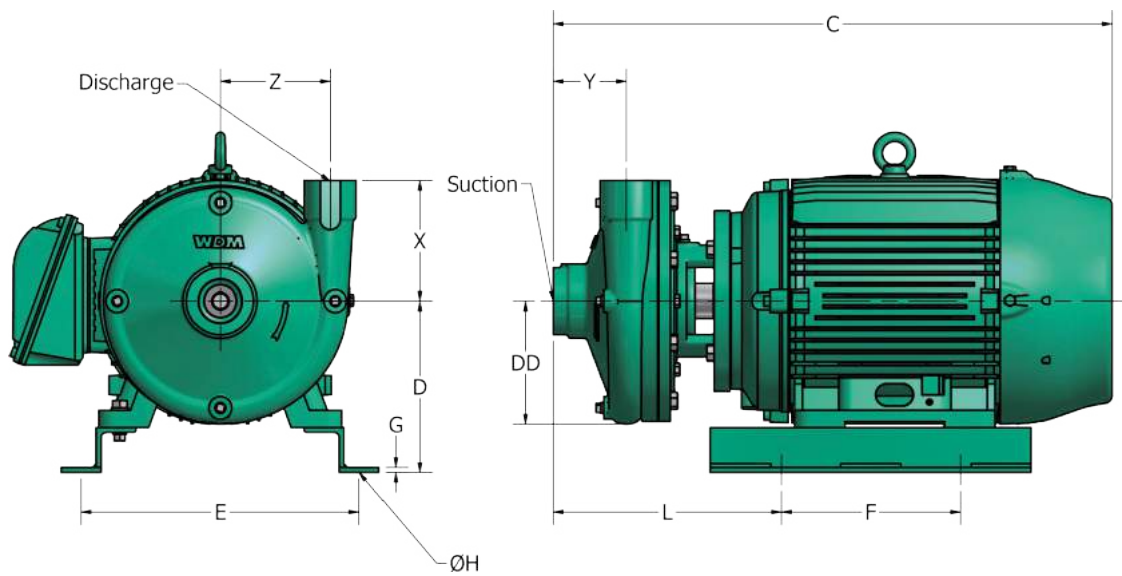
Dimensionals
GE Series
4 poles (1800 rpm)

GS Pumps
Close Coupled

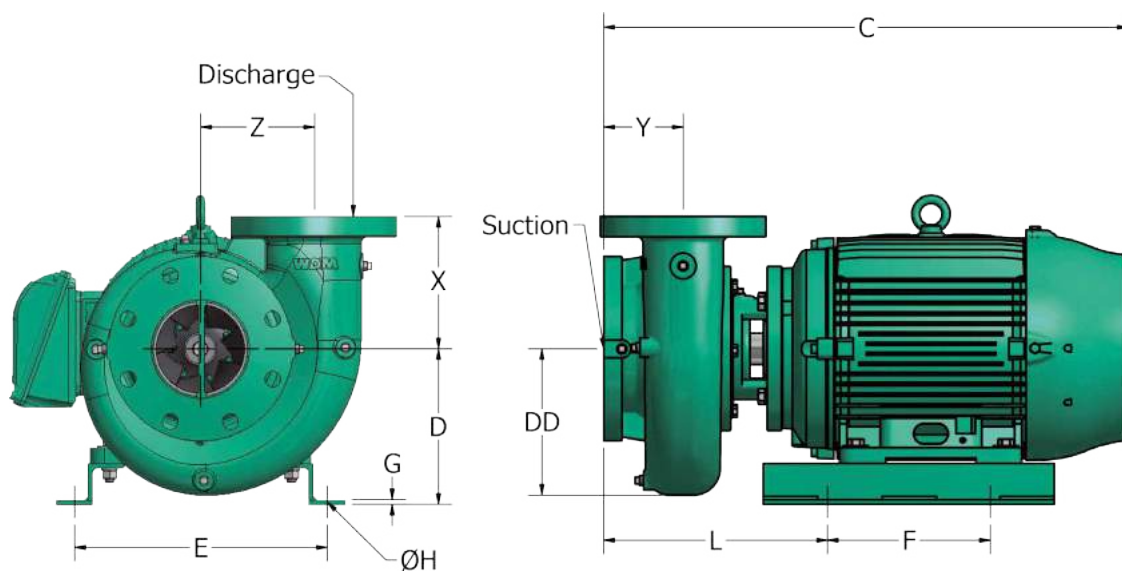


www.wdmpumps.com

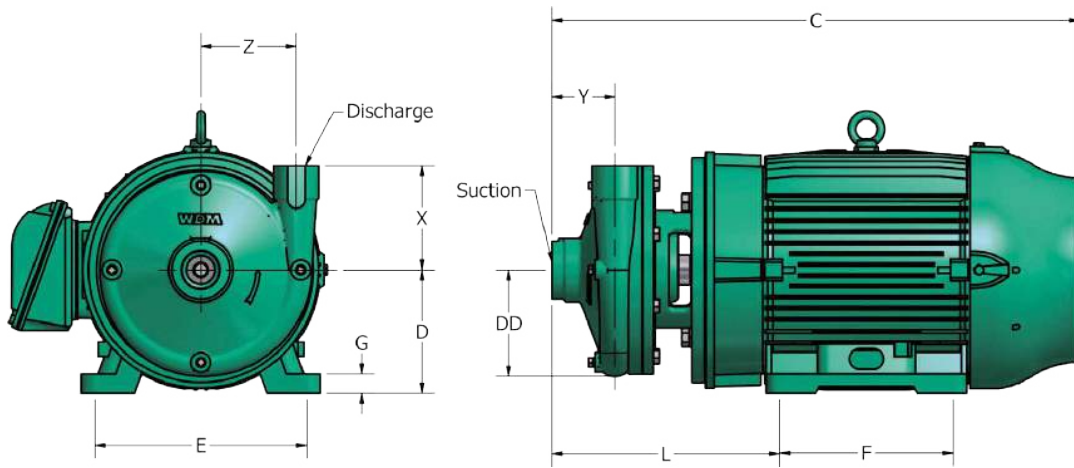
Drawing 1



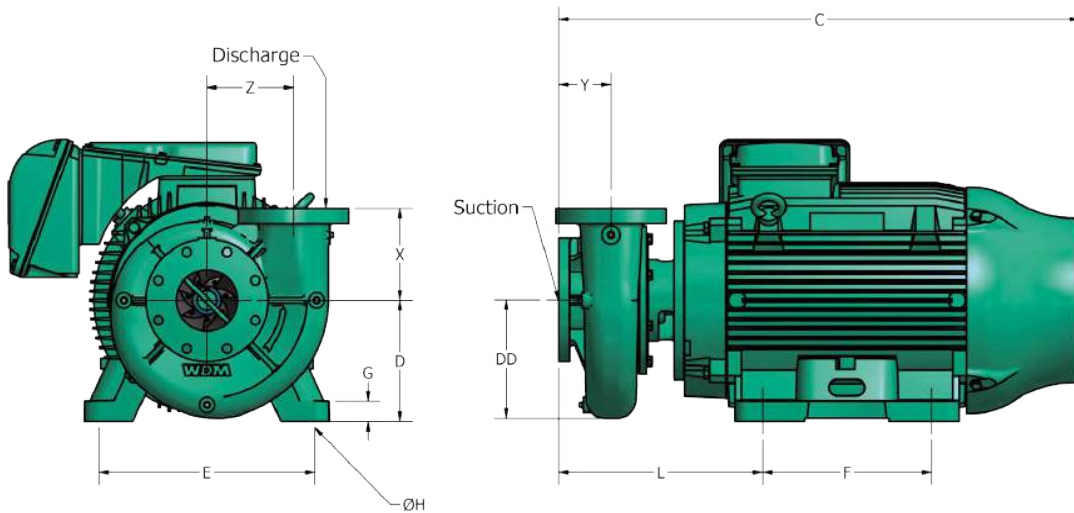
Drawing 2



Drawing 3



Drawing 4



Dimensions (inches)																
Model	Ref.	Drawing	C	D	DD	E	F	G	H	L	X	Y	Z	Frame	Suc	Disc
GE 1.5C 15-4	1B0237S	1	18"	6 1/2"	6 3/16"	5 1/2"	6"	5/16"	7/16"	7 7/8"	6"	3 5/8"	5 1/2"	145JM	2"	1.5"
GE 1.5C 20-4	1B0238S	1	18"	6 1/2"	6 3/16"	5 1/2"	6"	5/16"	7/16"	7 7/8"	6"	3 5/8"	5 1/2"	145JM	2"	1.5"
GE 1.5C 30-4	1B0239S	1	20 3/4"	6 1/4"	6 3/16"	11"	7"	1/8"	7/16"	8 1/2"	6"	3 5/8"	5 1/2"	182JM	2"	1.5"
GE 1.5C 50-4	1B0240S	1	20 3/4"	6 1/4"	6 3/16"	11"	7"	1/8"	7/16"	8 1/2"	6"	3 5/8"	5 1/2"	184JM	2"	1.5"
GE 1.5D 20-4	1B0201S	1	18"	6 1/2"	6 3/16"	5 1/2"	6"	5/16"	7/16"	7 7/8"	6"	3 5/8"	5 1/2"	145JM	2"	1.5"
GE 1.5D 30-4	1B0202S	1	20 3/4"	6 1/4"	6 3/16"	11"	7"	1/8"	7/16"	8 1/2"	6"	3 5/8"	5 1/2"	182JM	2"	1.5"
GE 1.5D 50-4	1B0203S	1	20 3/4"	6 1/4"	6 3/16"	11"	7"	1/8"	7/16"	8 1/2"	6"	3 5/8"	5 1/2"	184JM	2"	1.5"
GE 1.5D 75-4	1B0204S	1	22 1/4"	7"	6 3/16"	12"	7"	1/8"	7/16"	9 1/4"	6"	3 5/8"	5 1/2"	213JM	2"	1.5"
GE 2B 7-4	1B0220S	1	17 1/16"	6 1/2"	5 1/8"	5 1/2"	6"	5/16"	7/16"	8 5/16"	5 3/8"	4"	4 1/2"	56J	2.5"	2"
GE 2B 10-4	1B0221S	1	18 7/16"	6 1/2"	5 1/8"	5 1/2"	6"	5/16"	7/16"	8 5/16"	5 3/8"	4"	4 1/2"	143JM	2.5"	2"
GE 2B 15-4	1B0222S	1	19 5/16"	6 1/2"	5 1/8"	5 1/2"	6"	5/16"	7/16"	9 1/4"	5 3/8"	4"	4 1/2"	145JM	2.5"	2"
GE 2B 20-4	1B0223S	1	19 1/2"	6 1/2"	5 1/8"	5 1/2"	6"	5/16"	7/16"	9 1/4"	5 3/8"	4"	4 1/2"	145JM	2.5"	2"
GE 2B 30-4	1B0224S	1	21 3/16"	6 1/4"	5 1/8"	11"	7"	1/8"	7/16"	8 11/16"	5 3/8"	4"	4 1/2"	182JM	2.5"	2"

Motor dimensions may vary by motor manufacturer.
 Technical features are subject to change without notice.

Dimensions (Inches)																
Model	Ref.	Drawing	C	D	DD	E	F	G	H	L	X	Y	Z	Frame	Suc	Disc
GE 2C 20-4	1B0241S	1	18 1/2"	6 1/2"	6 5/8"	5 1/2"	6"	5/16"	7/16"	8 3/8"	6 5/8"	3 3/4"	5 3/4"	145JM	2.5"	2"
GE 2C 30-4	1B0242S	1	20 1/2"	7 1/2"	6 5/8"	7 1/2"	6"	5/16"	7/16"	9 13/16"	6 5/8"	3 3/4"	5 3/4"	182JM	2.5"	2"
GE 2C 50-4	1B0243S	1	21 1/4"	7 1/2"	6 5/8"	7 1/2"	6"	5/16"	7/16"	10 1/16"	6 5/8"	3 3/4"	5 3/4"	184JM	2.5"	2"
GE 2C 75-4	1B0244S	1	22 11/16"	7"	6 5/8"	12"	7"	1/8"	7/16"	9 11/16"	6 5/8"	3 3/4"	5 3/4"	213JM	2.5"	2"
GE 2E 50-4	1B0065S	1	21 7/8"	8 1/2"	7 1/2"	7 1/2"	8 5/16"	5/16"	7/16"	9 3/8"	8"	4"	6 3/4"	184JM	2.5"	2"
GE 2E 75-4	1B0066S	1	23 3/8"	9 1/4"	7 1/2"	8 1/2"	8 5/16"	1/4"	7/16"	10 1/16"	8"	4"	6 3/4"	213JM	2.5"	2"
GE 2E 100-4	1B0067S	1	24 7/8"	9 1/4"	7 1/2"	8 1/2"	8 5/16"	1/4"	7/16"	10 1/16"	8"	4"	6 3/4"	215JM	2.5"	2"
GE 2E 150-4	1B0068S	1	29"	8 1/2"	7 1/2"	13 7/8"	8 15/16"	1/4"	7/16"	12 1/2"	8"	4"	6 3/4"	254JM	2.5"	2"
GE 2.5B 10-4	1B0225S	2	18 3/8"	6 1/2"	5 3/8"	5 1/2"	6"	5/16"	7/16"	8 1/4"	5 5/8"	3 5/8"	4 1/2"	143JM	3"	2.5"
GE 2.5B 15-4	1B0226S	2	19 3/8"	6 1/2"	5 3/8"	5 1/2"	6"	5/16"	7/16"	9 1/4"	5 5/8"	3 5/8"	4 1/2"	145JM	3"	2.5"
GE 2.5B 20-4	1B0227S	2	19 3/8"	6 1/2"	5 3/8"	5 1/2"	6"	5/16"	7/16"	9 1/4"	5 5/8"	3 5/8"	4 1/2"	145JM	3"	2.5"
GE 2.5B 30-4	1B0228S	2	21 1/8"	7 1/2"	5 3/8"	7 1/2"	6"	5/16"	7/16"	9 3/8"	5 5/8"	3 5/8"	4 1/2"	182JM	3"	2.5"
GE 2.5C 20-4	1B0245S	2	20 7/16"	6 1/2"	6 3/4"	5 1/2"	6"	5/16"	7/16"	10 5/16"	6 3/4"	4 1/8"	6"	145JM	3"	2.5"
GE 2.5C 30-4	1B0246S	2	23"	7 1/2"	6 3/4"	7 1/2"	6"	5/16"	7/16"	11"	6 3/4"	4 1/8"	6"	182JM	3"	2.5"
GE 2.5C 50-4	1B0247S	2	23 1/16"	7 1/2"	6 3/4"	7 1/2"	6"	5/16"	7/16"	11"	6 3/4"	4 1/8"	6"	184JM	3"	2.5"
GE 2.5C 75-4	1B0248S	2	25 9/16"	8 1/4"	6 3/4"	8 1/2"	6"	5/16"	7/16"	11 3/4"	6 3/4"	4 1/8"	6"	213JM	3"	2.5"
GE 2.5E 75-4	1B0069S	2	22 7/8"	8"	7 5/8"	12"	7 1/8"	1/4"	7/16"	10 3/4"	8 3/8"	3 3/4"	7"	213JM	3"	2.5"
GE 2.5E 100-4	1B0070S	2	24 3/8"	9 1/4"	7 5/8"	8 1/2"	8 5/16"	1/4"	7/16"	9 5/8"	8 3/8"	3 3/4"	7"	215JM	3"	2.5"
GE 2.5E 150-4	1B0071S	2	28 11/16"	8 1/2"	7 5/8"	13 7/8"	8 15/16"	1/4"	7/16"	12 1/8"	8 3/8"	3 3/4"	7"	254JM	3"	2.5"
GE 2.5E 200-4	1B0072S	2	30 3/8"	8 1/2"	7 5/8"	13 7/8"	8 15/16"	1/4"	7/16"	13 13/16"	8 3/8"	3 3/4"	7"	256JM	3"	2.5"
GE 3B 15-4	1B0230S	2	18 7/8"	6 1/2"	5 7/8"	5 1/2"	6"	5/16"	7/16"	9 13/16"	6"	4 1/8"	5"	145JM	4"	3"
GE 3B 20-4	1B0231S	2	19 15/16"	6 1/2"	5 7/8"	5 1/2"	6"	5/16"	7/16"	9 7/8"	6"	4 1/8"	5"	145JM	4"	3"
GE 3B 30-4	1B0232S	2	21 11/16"	7 1/2"	5 7/8"	7 1/2"	6"	5/16"	7/16"	10 9/16"	6"	4 1/8"	5"	182JM	4"	3"
GE 3B 50-4	1B0233S	2	21 3/4"	6 1/4"	5 7/8"	11"	7"	1/8"	7/16"	11 11/16"	6"	4 1/8"	5"	184JM	4"	3"
GE 3C 30-4	1B0249S	2	21 5/16"	8 1/2"	8"	7 1/2"	8 5/16"	1/4"	7/16"	8 13/16"	7"	4"	6 1/4"	182JM	4"	3"
GE 3C 50-4	1B0250S	2	21 3/8"	8 1/2"	8"	7 1/2"	8 5/16"	1/4"	7/16"	8 13/16"	7"	4"	6 1/4"	184JM	4"	3"
GE 3C 75-4	1B0251S	2	22 9/16"	9 1/4"	8"	8 1/2"	8 5/16"	1/4"	7/16"	9 1/2"	7"	4"	6 1/4"	213JM	4"	3"
GE 3C 100-4	1B0252S	2	24 7/16"	9 1/4"	8"	8 1/2"	8 5/16"	1/4"	7/16"	9 11/16"	7"	4"	6 1/4"	215JM	4"	3"
GE 3E 100-4	1B0073S	2	24 7/8"	9 1/4"	8 3/8"	8 1/2"	8 5/16"	1/4"	7/16"	10 1/16"	8 5/8"	3 7/8"	7 1/4"	215JM	4"	3"
GE 3E 150-4	1B0074S	2	28 15/16"	8 1/2"	8 3/8"	13 7/8"	8 15/16"	1/4"	7/16"	12 7/16"	8 5/8"	3 7/8"	7 1/4"	254JM	4"	3"
GE 3E 200-4	1B0075S	2	30 11/16"	10 1/2"	8 3/8"	9 3/4"	11 13/16"	1/4"	9/16"	12 9/16"	8 5/8"	3 7/8"	7 1/4"	256JM	4"	3"
GE 3E 250-4	1B0076S	2	31 1/2"	11 1/4"	8 3/8"	10 3/4"	11 13/16"	1/4"	9/16"	13 1/16"	8 5/8"	3 7/8"	7 1/4"	284JM	4"	3"
GE 3F 150-4	1B0077S	2	28 15/16"	8 1/2"	8 3/8"	13 7/8"	8 15/16"	1/4"	7/16"	12 7/16"	8 5/8"	3 7/8"	7 1/4"	254JM	4"	3"
GE 3F 200-4	1B0078S	2	30 11/16"	10 1/2"	8 3/8"	9 3/4"	11 13/16"	1/4"	9/16"	12 9/16"	8 5/8"	3 7/8"	7 1/4"	256JM	4"	3"
GE 3F 250-4	1B0079S	2	31 1/2"	11 1/4"	8 3/8"	10 3/4"	11 13/16"	1/4"	9/16"	13 1/16"	8 5/8"	3 7/8"	7 1/4"	284JM	4"	3"
GE 3F 300-4	1B0080S	2	33"	11"	8 3/8"	11"	14 1/2"	5/16"	9/16"	10 11/16"	8 5/8"	3 7/8"	7 1/4"	286JM	4"	3"
GE 3G 200-4	1B0156S	2	32 1/8"	11 1/4"	10"	10 3/4"	11 13/16"	1/4"	9/16"	14 3/16"	9 3/4"	3 3/4"	8"	284JM	4"	3"
GE 3G 250-4	1B0157S	2	34 13/16"	11"	10"	11"	14 1/2"	5/16"	9/16"	11 5/16"	9 3/4"	3 3/4"	8"	286JM	4"	3"
GE 3G 400-4	1B0158S	2	35 13/16"	12"	10"	12 1/2"	14 1/2"	5/16"	9/16"	12 1/2"	9 3/4"	3 3/4"	8"	324JM	4"	3"
GE 3G 500-4	1B0159S	2	36 3/16"	12"	10"	12 1/2"	14 1/2"	5/16"	9/16"	12 13/16"	9 3/4"	3 3/4"	8"	326JM	4"	3"
GE 4B 30-4	1B0234S	2	21 3/4"	7 1/2"	8"	7 1/2"	6"	5/16"	7/16"	10 5/8"	7 1/4"	4 3/8"	6 1/4"	182JM	5"	4"
GE 4B 50-4	1B0235S	2	21 15/16"	7 1/2"	8"	7 1/2"	6"	5/16"	7/16"	10 5/8"	7 1/4"	4 3/8"	6 1/4"	184JM	5"	4"
GE 4B 75-4	1B0236S	2	25 9/16"	8 1/4"	8"	8 1/2"	6"	5/16"	7/16"	11 3/8"	7 1/4"	4 3/8"	6 1/4"	213JM	5"	4"
GE 4C 75-4	1B0263S	2	23 9/16"	9 1/4"	9 1/2"	8 1/2"	8 5/16"	1/4"	7/16"	10 7/16"	7 1/2"	4 1/4"	6 7/8"	213JM	5"	4"
GE 4C 100-4	1B0264S	2	25 1/16"	9 1/4"	9 1/2"	8 1/2"	8 5/16"	1/4"	7/16"	10 5/16"	7 1/2"	4 1/4"	6 7/8"	215JM	5"	4"

Motor dimensions may vary by motor manufacturer.

Technical features are subject to change without notice.

Dimensions (Inches)																
Model	Ref.	Drawing	C	D	DD	E	F	G	H	L	X	Y	Z	Frame	Suc	Disc
GE 4C 150-4	1B0265S	2	29 5/16"	10 1/2"	9 1/2"	9 3/4"	11 13/16"	1/4"	9/16"	12 3/16"	7 1/2"	4 1/4"	6 7/8"	254JM	5"	4"
GE 4C 200-4	1B0266S	2	31 1/8"	10 1/2"	9 1/2"	9 3/4"	11 13/16"	1/4"	9/16"	12 15/16"	7 1/2"	4 1/4"	6 7/8"	256JM	5"	4"
GE 4E 150-4	1B0081S	2	30 11/16"	10 1/2"	10 3/4"	9 3/4"	11 13/16"	1/4"	9/16"	13 1/2"	10"	5 1/4"	8 1/2"	254JM	5"	4"
GE 4E 200-4	1B0082S	2	32 3/8"	10 1/2"	10 3/4"	9 3/4"	11 13/16"	1/4"	9/16"	15 1/4"	10"	5 1/4"	8 1/2"	256JM	5"	4"
GE 4E 250-4	1B0253S	2	33 3/16"	11 1/4"	10 3/4"	10 3/4"	11 13/16"	1/4"	9/16"	15 3/16"	10"	5 1/4"	8 1/2"	284JM	5"	4"
GE 4E 300-4	1B0083S	2	34 11/16"	11"	10 3/4"	11"	14 1/2"	5/16"	9/16"	12 3/8"	10"	5 1/4"	8 1/2"	286JM	5"	4"
GE 4E 400-4	1B0084S	2	35 11/16"	12"	10 3/4"	12 1/2"	14 1/2"	5/16"	9/16"	12 5/16"	10"	5 1/4"	8 1/2"	324JM	5"	4"
GE 4E 500-4	1B0085S	2	37 3/16"	12"	10 3/4"	12 1/2"	14 1/2"	5/16"	9/16"	13 7/8"	10"	5 1/4"	8 1/2"	326JM	5"	4"
GE 4G 300-4	1B0160S	2	35 7/16"	12"	11 1/4"	12 1/2"	14 1/2"	5/16"	9/16"	12 1/16"	11"	4 3/8"	9"	324JM	5"	4"
GE 4G 400-4	1B0161S	2	36 15/16"	12"	11 1/4"	12 1/2"	14 1/2"	5/16"	9/16"	13 9/16"	11"	4 3/8"	9"	326JM	5"	4"
GE 4G 500-4	1B0162S	2	40 7/16"	15"	11 1/4"	14"	17 1/2"	1/4"	9/16"	11 5/8"	11"	4 3/8"	9"	364JM	5"	4"
GE 4G 600-4	1B0163S	2	43"	15"	11 1/4"	14"	17 1/2"	1/4"	9/16"	14 1/8"	11"	4 3/8"	9"	365JP	5"	4"
GE 5C 100-4	1B0055S	2	26 1/2"	11 1/4"	10 1/4"	10"	11 13/16"	1/4"	9/16"	10 5/8"	8"	5 1/4"	7 1/2"	215JM	6"	5"
GE 5C 150-4	1B0056S	2	30 5/8"	10 1/2"	10 1/4"	9 3/4"	11 13/16"	1/4"	9/16"	13 1/2"	8"	5 1/4"	7 1/2"	254JM	6"	5"
GE 5C 200-4	1B0057S	2	32 3/8"	10 1/2"	10 1/4"	9 3/4"	11 13/16"	1/4"	9/16"	15 1/4"	8"	5 1/4"	7 1/2"	256JM	6"	5"
GE 5C 250-4	1B0058S	2	33 3/16"	11 1/4"	10 1/4"	10 3/4"	11 13/16"	1/4"	9/16"	15 1/4"	8"	5 1/4"	7 1/2"	284JM	6"	5"
GE 5C 300-4	1B0059S	2	34 11/16"	11"	10 1/4"	11"	14 1/2"	5/16"	9/16"	12 3/8"	8"	5 1/4"	7 1/2"	286JM	6"	5"
GE 5E 200-4	1B0086S	2	33 1/4"	10 1/2"	9 1/2"	9 3/4"	11 13/16"	1/4"	9/16"	16 1/8"	10 1/2"	5 1/2"	8 1/2"	256JM	6"	5"
GE 5E 250-4	1B0254S	2	34 1/16"	11 1/4"	9 1/2"	10 3/4"	11 13/16"	1/4"	9/16"	16 1/16"	10 1/2"	5 1/2"	8 1/2"	284JM	6"	5"
GE 5E 300-4	1B0087S	2	35 3/16"	11"	9 1/2"	11"	14 1/2"	5/16"	9/16"	13 1/4"	10 1/2"	5 1/2"	8 1/2"	286JM	6"	5"
GE 5E 400-4	1B0088S	2	36 5/8"	12"	9 1/2"	12 1/2"	14 1/2"	5/16"	9/16"	13 1/4"	10 1/2"	5 1/2"	8 1/2"	324JM	6"	5"
GE 5E 500-4	1B0089S	2	38 1/8"	12"	9 1/2"	12 1/2"	14 1/2"	5/16"	9/16"	13 3/4"	10 1/2"	5 1/2"	8 1/2"	326JM	6"	5"
GE 5G 600-4	1B0164S	2	42 1/4"	15"	11"	14"	17 1/2"	1/4"	9/16"	13 3/8"	10"	5 3/4"	9 7/8"	364JM	6"	5"
GE 5G 750-4	1B0165S	2	43"	15"	11"	14"	17 1/2"	1/4"	9/16"	14 1/8"	10"	5 3/4"	9 7/8"	365JP	6"	5"
GE 5G 1000-4	1B0166S	2	47 13/16"	16"	11"	16"	17 1/2"	1/4"	9/16"	16 11/16"	10"	5 3/4"	9 7/8"	405JP	6"	5"
GE 5G 1250-4	1B0167S	2	47 13/16"	17"	11"	16"	17 1/2"	1/4"	9/16"	16 11/16"	10"	5 3/4"	9 7/8"	444JP	6"	5"
GE 6C 150-4	1B0060S	2	31 3/4"	12 1/4"	11"	10"	11 13/16"	1/4"	9/16"	13 1/2"	8 3/8"	6 1/8"	8 9/16"	254JM	8"	6"
GE 6C 200-4	1B0061S	2	33 1/2"	12 1/4"	11"	10"	11 13/16"	1/4"	9/16"	13 1/2"	8 3/8"	6 1/8"	8 9/16"	256JM	8"	6"
GE 6C 250-4	1B0062S	2	34 5/16"	11 1/4"	11"	10 3/4"	11 13/16"	1/4"	9/16"	16 3/8"	8 3/8"	6 1/8"	8 9/16"	284JM	8"	6"
GE 6C 300-4	1B0063S	2	35 11/16"	11"	11"	11"	14 1/2"	5/16"	9/16"	13 1/2"	8 3/8"	6 1/8"	8 9/16"	286JM	8"	6"
GE 6C 400-4	1B0064S	2	38 3/8"	12"	11"	12 1/2"	14 1/2"	5/16"	9/16"	15"	8 3/8"	6 1/8"	8 9/16"	324JM	8"	6"
GE 6E 250-4	1B0090S	2	34 3/4"	13"	12 1/2"	11"	11 13/16"	1/4"	9/16"	11 13/16"	8 7/8"	6 1/8"	9 7/8"	284JM	8"	6"
GE 6E 300-4	1B0255S	2	36 1/4"	13"	12 1/2"	11"	11 13/16"	1/4"	9/16"	14 1/2"	8 7/8"	6 1/8"	9 7/8"	286JM	8"	6"
GE 6E 400-4	1B0091S	2	37 1/8"	12"	12 1/2"	12 1/2"	14 1/2"	5/16"	9/16"	14"	8 7/8"	6 1/8"	9 7/8"	324JM	8"	6"
GE 6E 500-4	1B0256S	2	38 13/16"	14"	12 1/2"	12 1/2"	17 1/2"	1/4"	9/16"	12 7/8"	8 7/8"	6 1/8"	9 7/8"	326JM	8"	6"
GE 6E 600-4	1B0092S	2	42 3/8"	15"	12 1/2"	14"	17 1/2"	1/4"	9/16"	13 1/2"	8 7/8"	6 1/8"	9 7/8"	364JM	8"	6"
GE 6E 750-4	1B0093S	2	45 1/16"	15"	12 1/2"	14"	17 1/2"	1/4"	9/16"	16 1/4"	8 7/8"	6 1/8"	9 7/8"	365JP	8"	6"
GE 6G 1000-4	1B0168S	2	46 9/16"	16"	13 13/16"	14"	17 1/2"	1/4"	9/16"	15 3/8"	10"	6 1/4"	11 1/16"	405JP	8"	6"
GE 6G 1250-4	1B0169S	2	51 5/16"	17"	13 13/16"	18"	17 1/2"	5/16"	5/8"	19 9/16"	10"	6 1/4"	11 1/16"	444JP	8"	6"
GE 6G 1500-4	1B0170S	2	51 7/16"	17"	13 13/16"	18"	17 1/2"	5/16"	5/8"	19 9/16"	10"	6 1/4"	11 1/16"	444JP	8"	6"
GE 6G 2000-4	1B0171S	2	51 11/16"	17"	13 13/16"	18"	17 1/2"	5/16"	5/8"	19 9/16"	10"	6 1/4"	11 1/16"	445JP	8"	6"
GE 8E 600-4	1B0094S	2	43 13/16"	15"	13 3/8"	14"	17 1/2"	1/4"	9/16"	14 15/16"	13"	7"	8"	364JM	10"	8"
GE 8E 750-4	1B0095S	2	46 5/16"	15"	13 3/8"	14"	17 1/2"	1/4"	9/16"	17 1/2"	13"	7"	8"	365JP	10"	8"
GE 8E 1000-4	1B0096S	2	49 3/8"	16"	13 3/8"	14"	17 1/2"	1/4"	9/16"	18 1/4"	13"	7"	8"	405JP	10"	8"
GE 8E 1250-4	1B0097S	2	53 1/2"	17"	13 3/8"	16"	17 1/2"	1/4"	9/16"	21 11/16"	13"	7"	8"	444JP	10"	8"

Motor dimensions may vary by motor manufacturer.

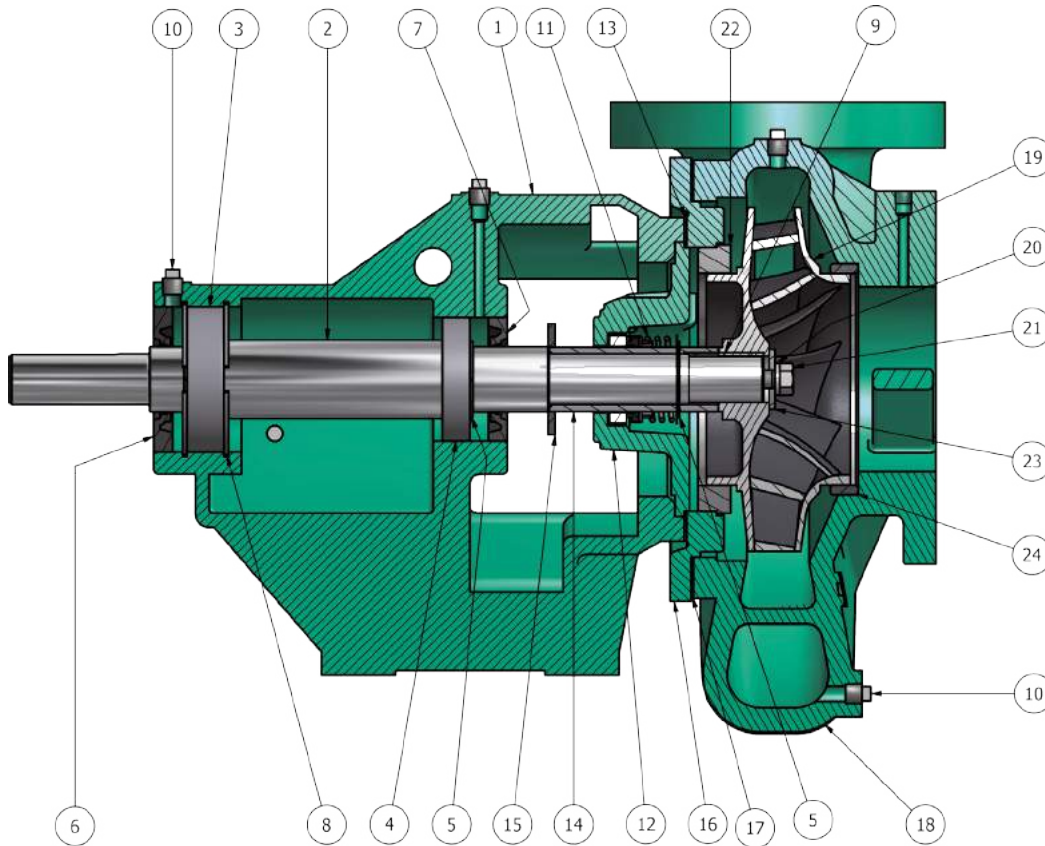
Technical features are subject to change without notice.

Sectional GU Series

GS Pumps
Frame Mounted



www.wdmpumps.com

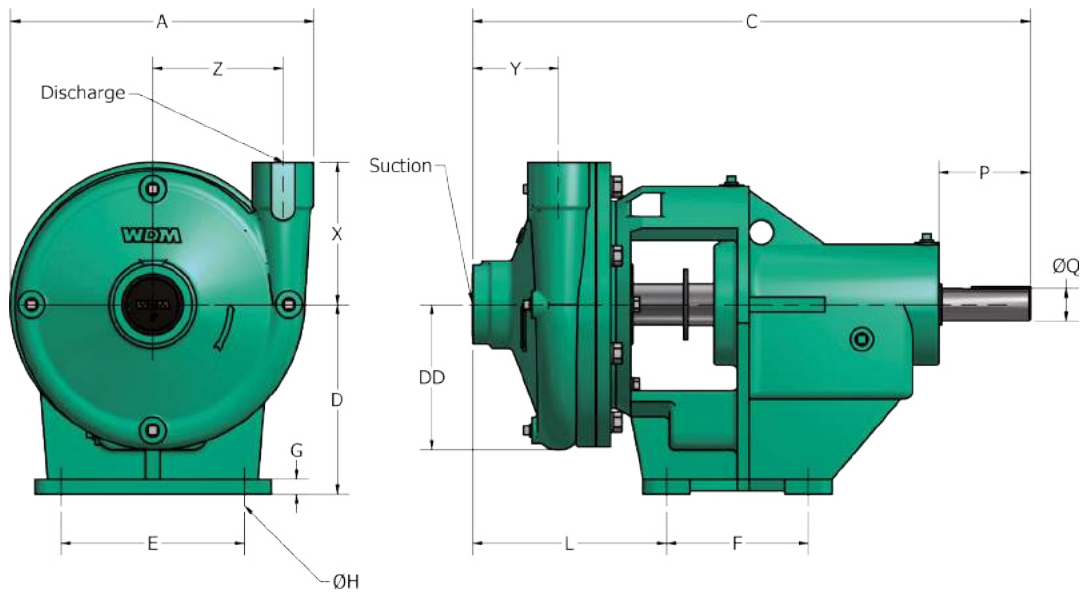


ITEM	QTY	DESCRIPTION	MATERIAL
1	1	BEARING FRAME	CAST IRON ASTM A48
2	1	SHAFT	STEEL ASTM 4140
3	1	BEARING, OUTBOARD	STEEL
4	1	BEARING, INBOARD	STEEL
5	4	RETAINING RING	RUBBER
6	1	LIP SEAL	NITRILE RUBBER
7	1	LIP SEAL	NITRILE RUBBER
8	2	SNAP RING	CARBON STEEL
9	1	KEY IMPELLER	CARBON STEEL
10	11	PLUG GREASE	CARBON STEEL
11	1	SHAFT SEAL	CARBON / CERAMIC / BUNA
12	1	SEAL HOUSING	CAST IRON ASTM A48

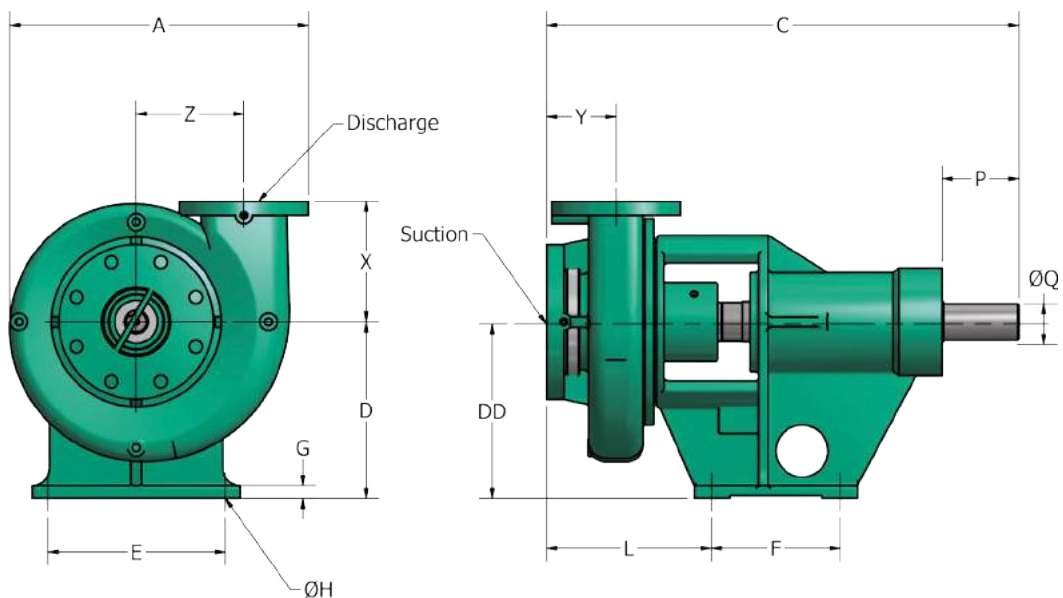
ITEM	QTY	DESCRIPTION	MATERIAL
13	1	GASKET, BACKPLATE	STANDARD PAPER GASKET
14	1	SHAFT SLEEVE	STAINLESS STEEL AISI 304
15	1	SLINGER	RUBBER
16	1	BACKPLATE	CAST IRON ASTM A48
17	1	GASKET CASING	STANDARD PAPER GASKET
18	1	CASING	CAST IRON ASTM A48
19	1	IMPELLER	STAINLESS STEEL AISI 304
20	1	LOCK WASHER	STAINLESS STEEL AISI 304
21	1	CAP SCREW, IMPELLER	STAINLESS STEEL AISI 304
22	1	BALANCE RING	BRONZE B148
23	1	WASHER, IMPELLER	TAINLESS STEEL AISI 304
24	1	CASE WEAR RING	BRONZE B148

* This part could change depending of the reference, please contact our sales department in order to clarify any dudas.
Technical features are subject to change without notice.

Drawing 1



Drawing 2

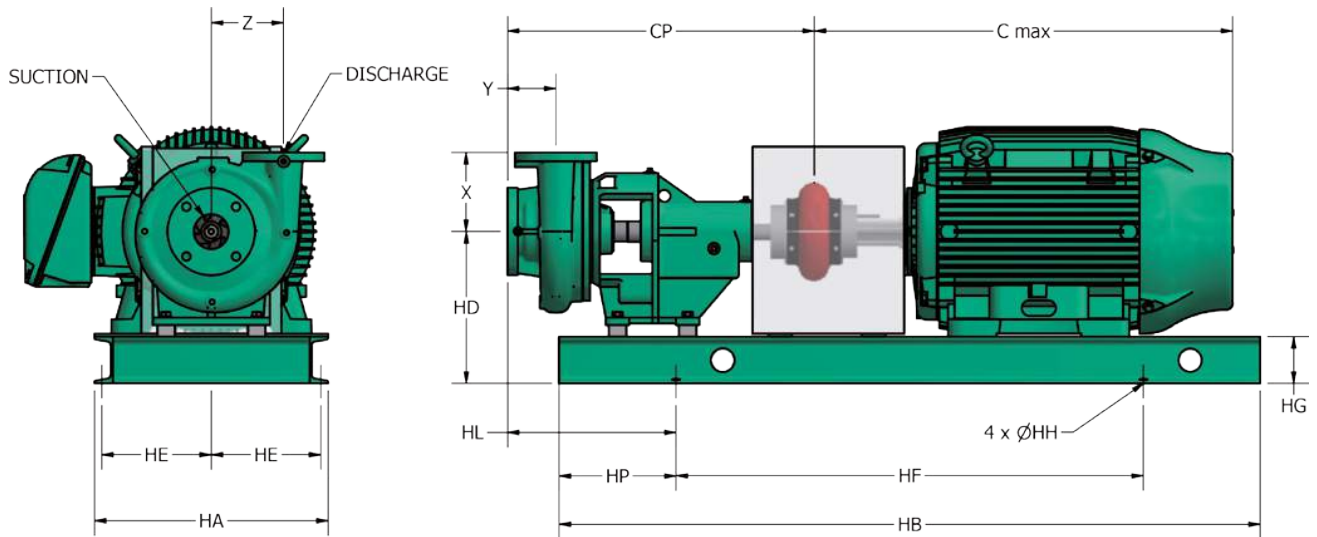


GU 3600 rpm / 2 poles (inches)																		
Model	Ref.	Drawing	A	C	D	DD	E	F	G	H	L	P	Q	X	Y	Z	Suc	Disc
GU 1.5C 2	1B0101S	1	12 7/8"	23 1/2"	8"	6 3/16"	7 3/4"	6"	5/8"	9/16"	8 1/16"	3 7/8"	1 3/8"	6"	3 5/8"	5 1/2"	2"	1/2"
GU 1.5D 2	1B0103S	1	12 7/8"	23 1/2"	8"	6 3/16"	7 3/4"	6"	5/8"	9/16"	8 1/16"	3 7/8"	1 3/8"	6"	3 5/8"	5 1/2"	2"	1/2"
GU 2B 2	1B0105S	1	11 1/4"	24"	8"	5 1/8"	7 3/4"	6"	5/8"	9/16"	8 1/2"	3 7/8"	1 3/8"	5 3/8"	4"	4 1/2"	2 1/2"	2"
GU 2C 2	1B0107S	1	13 1/2"	24"	8"	6 5/8"	7 3/4"	6"	5/8"	9/16"	8 1/8"	3 7/8"	1 3/8"	6"	3 3/4"	5 3/4"	2 1/2"	2"
GU 2.5B 2	1B0109S	2	13 1/8"	23 15/16"	8"	5 3/8"	7 3/4"	6"	5/8"	9/16"	8 1/2"	3 7/8"	1 3/8"	5 5/8"	3 5/8"	4 1/4"	3"	2 1/2"
GU 2.5C 2	1B0111S	2	16 3/16"	25"	8"	6 3/4"	7 3/4"	6"	5/8"	9/16"	9 1/4"	3 7/8"	1 3/8"	6 3/4"	4 1/8"	6"	3"	2 1/2"
GU 3B 2	1B0113S	2	14 15/16"	24 1/2"	8"	5 7/8"	7 3/4"	6"	5/8"	9/16"	9 5/16"	3 7/8"	1 3/8"	6"	4 1/8"	5"	4"	3"
GU 3C 2	1B0115S	2	17 3/8"	24 1/16"	8"	8"	7 3/4"	6"	5/8"	9/16"	8 1/2"	3 7/8"	1 3/8"	7"	4"	6 1/4"	4"	3"
GU 4B 2	1B0120S	2	17 7/16"	24 11/16"	8"	8"	7 3/4"	6"	5/8"	9/16"	9 1/8"	3 7/8"	1 3/8"	7 1/4"	4 3/8"	6 1/4"	5"	4"
GU 4C 2	1B0117S	2	19 5/16"	24 7/8"	8"	9 1/2"	7 3/4"	6"	5/8"	9/16"	9"	3 7/8"	1 3/8"	7 1/2"	4 1/4"	6 7/8"	5"	4"

GU 1800 rpm / 4 poles (inches)																		
Model	Ref.	Drawing	A	C	D	DD	E	F	G	H	L	P	Q	X	Y	Z	Suc	Disc
GU 1.5C 1	1B0100S	1	12 7/8"	18 1/4"	6 1/4"	6 3/16"	5 1/2"	4 1/2"	5/8"	7/16"	7 1/8"	2 1/4"	7/8"	6"	3 5/8"	5 1/2"	2"	1/2"
GU 1.5D 1	1B0102S	1	12 7/8"	18 1/4"	6 1/4"	6 3/16"	5 1/2"	4 1/2"	5/8"	7/16"	7 1/8"	2 1/4"	7/8"	6"	3 5/8"	5 1/2"	2"	1/2"
GU 2B 1	1B0104S	1	11 1/4"	18 3/4"	6 1/4"	5 1/8"	5 1/2"	4 1/2"	5/8"	7/16"	7 3/8"	2 1/4"	7/8"	5 3/8"	4"	4 1/2"	2 1/2"	2"
GU 2C 1	1B0106S	1	13 1/2"	18 13/16"	6 1/4"	6 5/8"	5 1/2"	4 1/2"	5/8"	7/16"	7 1/4"	2 1/4"	7/8"	6"	3 3/4"	5 3/4"	2 1/2"	2"
GU 2E 1	1B0124S	1	15 7/8"	19 1/2"	7 9/16"	7 1/2"	5 1/2"	4 1/2"	5/8"	7/16"	8 1/4"	2 1/4"	7/8"	8"	4"	6 3/4"	2 1/2"	2"
GU 2.5B 1	1B0108S	2	12 15/16"	18 3/4"	6 1/4"	5 3/8"	5 1/2"	4 1/2"	5/8"	7/16"	7 5/8"	2 1/4"	7/8"	5 5/8"	3 5/8"	4 1/4"	3"	2 1/2"
GU 2.5C 1	1B0110S	2	16 3/16"	19 3/4"	6 1/4"	6 3/4"	5 1/2"	4 1/2"	5/8"	7/16"	8 1/4"	2 1/4"	7/8"	6 3/4"	4 1/8"	6"	3"	2 1/2"
GU 2.5E 2	1B0125S	2	17 13/16"	24 1/2"	8"	7 5/8"	7 3/4"	6"	5/8"	9/16"	8 3/8"	3 7/8"	1 3/8"	8 3/8"	3 3/4"	7"	3"	2 1/2"
GU 3B 1	1B0112S	2	14 15/16"	19 1/4"	6 1/4"	5 7/8"	5 1/2"	4 1/2"	5/8"	7/16"	8 7/16"	2 1/4"	7/8"	6"	4 1/8"	5"	4"	3"
GU 3C 1	1B0114S	2	17 3/8"	18 15/16"	6 1/4"	8"	5 1/2"	4 1/2"	5/8"	7/16"	7 5/8"	2 1/4"	7/8"	7"	4"	6 1/4"	4"	3"
GU 3E 2	1B0126S	2	19 1/16"	24 5/8"	8"	8 3/8"	7 3/4"	6"	5/8"	9/16"	9"	3 7/8"	1 3/8"	8 5/8"	3 7/8"	7 1/4"	4"	3"
GU 3F 2	1B0127S	2	19 1/16"	24 5/8"	8"	8 3/8"	7 3/4"	6"	5/8"	9/16"	9"	3 7/8"	1 3/8"	8 5/8"	3 7/8"	7 1/4"	4"	3"
GU 3G 3	1B0151S	2	21 3/4"	25 1/4"	8"	10"	10 1/4"	7 1/2"	3/4"	11/16"	8 3/4"	3 7/8"	1 3/8"	9 3/4"	3 3/4"	8"	4"	3"
GU 4B 1	1B0119S	2	17 7/16"	19 1/2"	6 1/4"	8"	5 1/2"	4 1/2"	5/8"	7/16"	8 1/4"	2 1/4"	7/8"	7 1/4"	4 3/8"	6 1/4"	5"	4"
GU 4C 1	1B0116S	2	19 5/16"	19 7/8"	6 1/4"	9 1/2"	5 1/2"	4 1/2"	5/8"	7/16"	8 1/8"	2 1/4"	7/8"	7 1/2"	4 1/4"	6 7/8"	5"	4"
GU 4C 3	1B0257S	2	19 5/16"	28 1/2"	10 1/4"	9 1/2"	10 1/4"	7 1/2"	3/4"	11/16"	10 1/2"	4 1/2"	2 1/8"	7 1/2"	4 1/4"	6 7/8"	5"	4"
GU 4E 2	1B0128S	2	22"	26 5/16"	8"	10 3/4"	7 3/4"	6"	5/8"	9/16"	10 5/16"	3 7/8"	1 3/8"	10"	5 1/4"	8 1/2"	5"	4"
GU 4G 3	1B0152S	2	24 1/4"	29 7/8"	10 1/4"	11 1/4"	10 1/4"	7 1/2"	3/4"	11/16"	10 9/16"	4 1/2"	2 1/8"	11"	4 3/8"	9"	5"	4"
GU 5C 2	1B0122S	2	21 1/16"	26 1/2"	8"	10 1/4"	7 3/4"	6"	5/8"	9/16"	11"	3 7/8"	1 3/8"	8"	5 1/4"	7 1/2"	6"	5"
GU 5E 2	1B0129S	2	21 15/16"	27 3/16"	8"	9 1/2"	7 3/4"	6"	5/8"	9/16"	11"	3 7/8"	1 3/8"	10 1/2"	5 1/2"	8 1/2"	6"	5"
GU 5G 4	1B0153S	2	25 1/8"	32 5/8"	11"	11"	10 5/16"	10"	3/4"	3/4"	12 7/16"	4 1/2"	2 3/8"	10"	5 3/4"	9 7/8"	6"	5"
GU 6C 2	1B0123S	2	23 1/2"	27 3/8"	8"	11"	7 3/4"	6"	5/8"	9/16"	12 1/8"	3 7/8"	1 3/8"	8 3/8"	6 1/8"	8 9/16"	8"	6"
GU 6E 2	1B0130S	2	25 5/16"	27 15/16"	8"	12 1/2"	7 3/4"	6"	5/8"	9/16"	12 3/8"	3 7/8"	1 3/8"	8 7/8"	6 1/8"	9 7/8"	8"	6"
GU 6G 4	1B0154S	2	28 1/4"	34 1/4"	11"	13 13/16"	10 5/16"	10"	3/4"	3/4"	14 3/8"	4 1/2"	2 3/8"	10"	6 1/4"	11 1/16"	8"	6"
GU 8E 3	1B0131S	2	26 5/8"	32 3/8"	10 1/4"	13 3/8"	10 1/4"	7 1/2"	3/4"	11/16"	14 3/8"	4 1/2"	2 1/8"	13"	7"	8"	10"	8"

Motor dimensions may vary by motor manufacturer.

Technical features are subject to change without notice.



Dimensions (Inches)

Ref.	Model	Suc	Disc	Power (HP)	Frame	HE	HA	Z	HD	X	Y	CP	C MAX*	HG	HH	HF	HB	HP	HL
113475	GU 1.5C 1 15-4-WE2	1.25"	1.5"	1.5	145T	54.375"	12"	5.499"	9.25"	6"	3.625"	23.662"	13.796"	3"	9/16"	22.91"	26.91"	2"	8.72"
113476	GU 1.5C 1 20-4-WE2	1.25"	1.5"	2	145T	54.375"	12"	5.499"	9.25"	6"	3.625"	23.662"	13.796"	3"	9/16"	22.91"	26.91"	2"	8.72"
113477	GU 1.5C 1 30-4-WE3	1.25"	1.5"	3	182T	54.375"	12"	5.499"	9.25"	6"	3.625"	23.372"	16.02"	3"	9/16"	24.81"	28.81"	2"	8.72"
113478	GU 1.5C 1 50-4-WE3	1.25"	1.5"	5	184T	54.375"	12"	5.499"	9.25"	6"	3.625"	23.372"	16.02"	3"	9/16"	24.81"	28.81"	2"	8.72"
113479	GU 1.5C 2 100-WE3	1.25"	1.5"	10	215	69.375"	15"	5.499"	11"	6"	3.625"	29.722"	19.431"	3"	9/16"	32.71"	36.71"	2"	9.68"
113480	GU 1.5C 2 150-WE4	1.25"	1.5"	15	254T	69.375"	15"	5.499"	11"	6"	3.625"	29.712"	24.647"	3"	9/16"	31.11"	42.11"	5.5"	13.18"
113481	GU 1.5C 2 200-WE4	1.25"	1.5"	20	256T	69.375"	15"	5.499"	11"	6"	3.625"	29.712"	24.647"	3"	9/16"	35.11"	41.11"	3"	11.18"
113482	GU 1.5C 2 250-WE5	1.25"	1.5"	25	284TS	69.375"	15"	5.499"	11"	6"	3.625"	29.962"	26.711"	3"	9/16"	38.21"	44.21"	3"	10.68"
113483	GU 1.5D 1 20-4-WE2	1.25"	1.5"	2	145T	54.375"	12"	5.499"	9.25"	6"	3.625"	23.694"	13.796"	3"	9/16"	22.91"	26.91"	2"	8.75"
113484	GU 1.5D 1 30-4-WE3	1.25"	1.5"	3	182T	54.375"	12"	5.499"	9.25"	6"	3.625"	23.404"	16.02"	3"	9/16"	24.81"	28.81"	2"	8.75"
113485	GU 1.5D 1 50-4-WE3	1.25"	1.5"	5	184T	54.375"	12"	5.499"	9.25"	6"	3.625"	23.404"	16.02"	3"	9/16"	24.81"	28.81"	2"	8.75"
113486	GU 1.5D 1 75-4-WE3	1.25"	1.5"	7.5	213T	64.375"	14"	5.499"	9.25"	6"	3.625"	23.404"	19.431"	3"	9/16"	25.51"	32.51"	3.5"	10.25"
113487	GU 1.5D 2 200-WE4	1.25"	1.5"	20	256T	69.375"	15"	5.499"	11"	6"	3.625"	29.712"	24.647"	3"	9/16"	34.11"	42.11"	4"	11.68"
113488	GU 1.5D 2 250-WE5	1.25"	1.5"	25	284TS	69.375"	15"	5.499"	11"	6"	3.625"	29.962"	26.711"	3"	9/16"	38.21"	44.21"	3"	10.68"
113489	GU 1.5D 2 300-WE5	1.25"	1.5"	30	286TS	69.375"	15"	5.499"	11"	6"	3.625"	29.962"	26.711"	3"	9/16"	38.21"	44.21"	3"	10.68"
113490	GU 1.5D 2 400-WE10	1.25"	1.5"	40	324TS	84.375"	18"	5.499"	12"	6"	3.625"	29.967"	29.775"	4"	9/16"	40.38"	47.38"	3.5"	11.11"
113491	GU 1.5D 2 500-WE10	1.25"	1.5"	50	326TS	84.375"	18"	5.499"	12"	6"	3.625"	29.967"	29.775"	4"	9/16"	40.38"	47.38"	3.5"	11.11"
113492	GU 1.5D 2 600-WE10	1.25"	1.5"	60	364TS	99.375"	21"	5.499"	12"	6"	3.625"	29.967"	33.673"	4"	9/16"	46.08"	50.08"	2"	9.61"
113494	GU 2B 1 10-4-WE2	1.5"	2"	1	143T	54.375"	12"	4.467"	9.25"	5.304"	4.001"	23.879"	13.796"	3"	9/16"	22.91"	26.91"	2"	8.83"
113495	GU 2B 1 15-4-WE2	1.5"	2"	1.5	145T	54.375"	12"	4.467"	9.25"	5.304"	4.001"	23.879"	13.796"	3"	9/16"	22.91"	26.91"	2"	8.93"
113496	GU 2B 1 20-4-WE2	1.5"	2"	2	145T	54.375"	12"	4.467"	9.25"	5.304"	4.001"	23.879"	13.796"	3"	9/16"	22.91"	26.91"	2"	8.93"
113497	GU 2B 1 30-4-WE3	1.5"	2"	3	182T	54.375"	12"	4.467"	9.25"	5.304"	4.001"	23.589"	16.02"	3"	9/16"	24.81"	28.81"	2"	8.83"
113498	GU 2B 2 75-WE3	1.5"	2"	7.5	213T	69.375"	15"	4.467"	11"	5.304"	4.001"	30.036"	19.431"	3"	9/16"	32.71"	36.71"	2"	10"
113499	GU 2B 2 100-WE3	1.5"	2"	10	215T	69.375"	15"	4.467"	11"	5.304"	4.001"	30.036"	19.431"	3"	9/16"	32.71"	36.71"	2"	10"

Ref.	Model	Dimensions (Inches)																	
		Suc	Disc	Power (HP)	Frame	HE	HA	Z	HD	X	Y	CP	C MAX*	HG	HH	HF	HB	HP	HL
113500	GU 2B 2 150-WE4	1.5"	2"	15	254T	69.375"	15"	4.467"	11"	5.304"	4.001"	30.026"	24.647"	3"	9/16"	31.11"	42.11"	5.5"	13.5"
113501	GU 2B 2 200-WE4	1.5"	2"	20	256T	69.375"	15"	4.467"	11"	5.304"	4.001"	30.026"	24.647"	3"	9/16"	31.11"	42.11"	5.5"	13.5"
113502	GU 2B 2 250-WE5	1.5"	2"	25	284TS	69.375"	15"	4.467"	11"	5.304"	4.001"	30.276"	26.711"	3"	9/16"	38.21"	44.21"	3"	11"
113503	GU 2C 1 20-4-WE2	1.5"	2"	2	145T	54.375"	12"	5.688"	9.25"	5.304"	3.75"	24.129"	13.796"	3"	9/16"	22.91"	26.91"	2"	9.18"
113504	GU 2C 1 30-4-WE3	1.5"	2"	3	182T	54.375"	12"	5.688"	9.25"	5.304"	3.75"	23.839"	16.02"	3"	9/16"	24.81"	28.81"	2"	9.18"
113505	GU 2C 1 50-4-WE3	1.5"	2"	5	184T	54.375"	12"	5.688"	9.25"	5.304"	3.75"	23.839"	16.02"	3"	9/16"	24.81"	28.81"	2"	9.18"
113506	GU 2C 1 75-4-WE3	1.5"	2"	7.5	213T	64.375"	14"	5.688"	9.25"	5.304"	3.75"	23.839"	19.431"	3"	9/16"	25.51"	32.51"	3.5"	10.68"
113507	GU 2C 2 200-WE4	1.5"	2"	20	256T	69.375"	15"	5.688"	11"	6"	3.75"	30.167"	24.647"	3"	9/16"	31.11"	42.11"	5.5"	13.64"
113508	GU 2C 2 250-WE5	1.5"	2"	25	284TS	69.375"	15"	5.688"	11"	6"	3.75"	30.417"	26.711"	3"	9/16"	38.21"	44.21"	3"	11.14"
113509	GU 2C 2 300-WE5	1.5"	2"	30	286TS	69.375"	15"	5.688"	11"	6"	3.75"	30.417"	26.711"	3"	9/16"	38.21"	44.21"	3"	11.14"
113510	GU 2C 2 400-WE10	1.5"	2"	40	324TS	84.375"	18"	5.688"	12"	6"	3.75"	30.422"	29.775"	4"	9/16"	40.38"	47.38"	3.5"	11.57"
113511	GU 2C 2 500-WE10	1.5"	2"	50	326TS	84.375"	18"	5.688"	12"	6"	3.75"	30.422"	29.775"	4"	9/16"	40.38"	47.38"	3.5"	11.57"
113512	GU 2C 2 600-WE10	1.5"	2"	60	364TS	99.375"	21"	5.688"	12"	6"	3.75"	30.422"	33.673"	4"	9/16"	46.08"	50.08"	2"	10.17"
113513	GU 2E 1 50-4-WE3	1.5"	2"	5	184T	54.375"	12"	6.75"	9.25"	8"	4"	24.534"	16.02"	3"	9/16"	24.81"	26.81"	1"	9.88"
113514	GU 2E 1 75-4-WE3	1.5"	2"	7.5	213T	64.375"	14"	6.75"	9.25"	8"	4"	24.534"	19.431"	3"	9/16"	25.51"	32.51"	3.5"	11.38"
113515	GU 2E 1 100-4-WE4	1.5"	2"	10	215T	64.375"	14"	6.75"	9.25"	8"	4"	24.534"	19.431"	3"	9/16"	28.51"	32.51"	2"	9.88"
113516	GU 2E 1 150-4-WE5	1.5"	2"	15	254T	69.375"	15"	6.75"	9.25"	8"	4"	24.774"	24.023"	3"	9/16"	32.51"	36.51"	2"	9.88"
113517	GU 2.5B 1 10-4-WE2	2"	2.5"	1	143T	54.375"	12"	4.25"	9.25"	5.625"	3643"	24.083"	13.796"	3"	9/16"	22.91"	26.91"	2"	9.14"
113518	GU 2.5B 1 15-4-WE2	2"	2.5"	1.5	145T	54.375"	12"	4.25"	9.25"	5.625"	3643"	24.083"	13.796"	3"	9/16"	22.91"	26.91"	2"	9.14"
113519	GU 2.5B 1 20-4-WE2	2"	2.5"	2	145T	54.375"	12"	4.25"	9.25"	5.625"	3643"	24.083"	13.796"	3"	9/16"	22.91"	26.91"	2"	9.14"
113520	GU 2.5B 1 30-4-WE3	2"	2.5"	3	182T	54.375"	12"	4.25"	9.25"	5.625"	3643"	23.793"	16.02"	3"	9/16"	24.81"	28.81"	2"	9.14"
113521	GU 2.5B 2 75-WE3	2"	2.5"	7.5	213T	69.375"	15"	4.25"	11"	5.625"	3643"	30.086"	19.431"	3"	9/16"	29.71"	36.71"	3.5"	11.55"
113522	GU 2.5B 2 100-WE3	2"	2.5"	10	215T	69.375"	15"	4.25"	11"	5.625"	3643"	30.086"	19.431"	3"	9/16"	29.71"	36.71"	3.5"	11.55"
113523	GU 2.5B 2 150-WE4	2"	2.5"	15	254T	69.375"	15"	4.25"	11"	5.625"	3643"	30.076"	24.647"	3"	9/16"	33.11"	42.11"	4.5"	12.55"
113524	GU 2.5B 2 200-WE4	2"	2.5"	20	256T	69.375"	15"	4.25"	11"	5.625"	3643"	30.076"	24.647"	3"	9/16"	33.11"	42.11"	4.5"	12.55"
113525	GU 2.5B 2 250-WE5	2"	2.5"	25	284TS	69.375"	15"	4.25"	11"	5.625"	3643"	30.326"	26.711"	3"	9/16"	38.21"	44.21"	3"	11.05"
113526	GU 2.5B 2 300-WE5	2"	2.5"	30	286TS	69.375"	15"	4.25"	11"	5.625"	3643"	30.326"	26.711"	3"	9/16"	38.21"	44.21"	3"	11.05"
113527	GU 2.5C 1 20-4-WE2	2"	2.5"	2	145T	54.375"	12"	6.188"	9.25"	6.75"	4125"	24.935"	13.796"	3"	9/16"	22.91"	26.81"	1.95"	9.99"
113528	GU 2.5C 1 30-4-WE3	2"	2.5"	3	182T	54.375"	12"	6.188"	9.25"	6.75"	4125"	24.645"	16.02"	3"	9/16"	24.81"	28.81"	2"	9.99"
113529	GU 2.5C 1 50-4-WE3	2"	2.5"	5	184T	54.375"	12"	6.188"	9.25"	6.75"	4125"	24.645"	16.02"	3"	9/16"	24.81"	28.81"	2"	9.99"
113530	GU 2.5C 1 75-4-WE3	2"	2.5"	7.5	213T	64.375"	14"	6.188"	9.25"	6.75"	4125"	24.645"	19.431"	3"	9/16"	28.51"	32.51"	2"	9.99"
113531	GU 2.5C 2 200-WE4	2"	2.5"	20	256T	69.375"	15"	6.188"	11"	6.938"	4125"	30.928"	24.647"	3"	9/16"	33.11"	42.11"	4.5"	13.4"
113532	GU 2.5C 2 250-WE5	2"	2.5"	25	284TS	69.375"	15"	6.188"	11"	6.938"	4125"	31.178"	26.711"	3"	9/16"	35.21"	44.21"	4.5"	13.4"
113533	GU 2.5C 2 300-WE5	2"	2.5"	30	286TS	69.375"	15"	6.188"	11"	6.938"	4125"	31.178"	26.711"	3"	9/16"	35.21"	44.21"	4.5"	13.4"
113534	GU 2.5C 2 400-WE10	2"	2.5"	40	324TS	84.375"	18"	6.188"	12"	6.938"	4125"	31.183"	29.775"	4"	9/16"	40.38"	47.38"	3.5"	12.33"
113535	GU 2.5C 2 500-WE10	2"	2.5"	50	326TS	84.375"	18"	6.188"	12"	6.938"	4125"	31.183"	29.775"	4"	9/16"	40.38"	47.38"	3.5"	12.33"
113536	GU 2.5C 2 600-WE10	2"	2.5"	60	364TS	99.375"	21"	6.188"	12"	6.938"	4125"	31.183"	33.673"	4"	9/16"	46.08"	50.08"	2"	10.83"
113537	GU 2.5C 2 750-WE10	2"	2.5"	75	365TS	99.375"	21"	6.188"	12"	6.938"	4125"	31.183"	33.673"	4"	9/16"	46.08"	50.08"	2"	10.83"
113538	GU 2.5E 2 75-4-WE3	2"	2.5"	7.5	213T	69.375"	15"	6.875"	11"	8.375"	3.85"	30.716"	19.431"	3"	9/16"	29.71"	36.71"	3.5"	12.18"
113539	GU 2.5E 2 100-4-WE4	2"	2.5"	10	215T	69.375"	15"	6.875"	11"	8.375"	3.85"	30.716"	19.431"	3"	9/16"	29.71"	36.71"	3.5"	12.18"
113540	GU 2.5E 2 150-4-WE4	2"	2.5"	15	254T	69.375"	15"	6.875"	11"	8.375"	3.85"	30.706"	24.647"	3"	9/16"	33.11"	42.11"	4.5"	13.18"
113541	GU 2.5E 2 200-4-WE4	2"	2.5"	20	256T	69.375"	15"	6.875"	11"	8.375"	3.85"	30.706"	24.647"	3"	9/16"	33.11"	42.11"	4.5"	13.18"
113542	GU 3B 1 15-4-WE2	2.5"	3"	1.5	145T	54.375"	12"	4.875"	9.25"	6"	4125"	24.645"	13.796"	3"	9/16"	22.91"	26.91"	2"	9.7"
113543	GU 3B 1 20-4-WE2	2.5"	3"	2	145T	54.375"	12"	4.875"	9.25"	6"	4125"	24.645"	13.796"	3"	9/16"	22.91"	26.91"	2"	9.7"
113544	GU 3B 1 30-4-WE3	2.5"	3"	3	182T	54.375"	12"	4.875"	9.25"	6"	4125"	24.355"	16.02"	3"	9/16"	24.81"	28.81"	2"	9.7"
113545	GU 3B 1 50-4-WE3	2.5"	3"	5	184T	54.375"	12"	4.875"	9.25"	6"	4125"	24.355"	16.02"	3"	9/16"	24.81"	28.81"	2"	9.7"
113546	GU 3B 2 100-WE3	2.5"	3"	10	215T	69.375"	15"	4.875"	11"	6"	4125"	30.648"	19.431"	3"	9/16"	29.71"	36.71"	3.5"	12.11"
113547	GU 3B 2 150-WE4	2.5"	3"	15	254T	69.375"	15"	4.875"	11"	6"	4125"	30.638"	24.647"	3"	9/16"	33.11"	42.11"	4.5"	13.11"
113548	GU 3B 2 200-WE4	2.5"	3"	20	256T	69.375"	15"	4.875"	11"	6"	4125"	30.638"	24.647"	3"	9/16"	33.11"	42.11"	4.5"	13.11"
113549	GU 3B 2 250-WE5	2.5"	3"	25	284TS	69.375"	15"	4.875"	11"	6"	4125"	30.888"	26.711"	3"	9/16"	35.21"	44.21"	4.5"	13.11"
113550	GU 3B 2 300-WE5	2.5"	3"	30	286TS	69.375"	15"	4.875"	11"	6"	4125"	30.888"	26.711"	3"	9/16"	35.21"	44.21"	4.5"	13.11"
113551	GU 3B 2 400-WE10	2.5"	3"	40"	324TS"	84.375"	18"	4.875"	12"	6"	4125"	30.893"	29.775"	4"	9/16"	40.38"	47.38"	3.5"	3.5"

Dimensions (Inches)																			
Ref.	Model	Suc	Disc	Power (HP)	Frame	HE	HA	Z	HD	X	Y	CP	C MAX"	HG	HH	HF	HB	HP	HL
113552	GU 3C 1 30-4-WE3	2.5"	3"	3	182T	54.375"	12"	6.188"	9.25"	7"	4"	23.897"	16.02"	3"	9/16"	24.81"	28.81"	2"	9.24"
113553	GU 3C 1 50-4-WE3	2.5"	3"	5	184T	54.375"	12"	6.188"	9.25"	7"	4"	23.897"	16.02"	3"	9/16"	24.81"	28.81"	2"	9.24"
113554	GU 3C 1 75-4-WE3	2.5"	3"	7.5	213T	64.375"	14"	6.188"	9.25"	7"	4"	23.897"	19.431"	3"	9/16"	28.51"	32.51"	2"	9.24"
113555	GU 3C 1 100-4-WE4	2.5"	3"	10	215T	64.375"	14"	6.188"	9.25"	7"	4"	23.897"	19.431"	3"	9/16"	28.51"	32.51"	2"	9.24"
113556	GU 3C 2 250-WE5	2.5"	3"	25	284TS	69.375"	15"	6.188"	11"	7"	4"	29.521"	26.711"	3"	9/16"	35.21"	44.21"	4.5"	11.74"
113557	GU 3C 2 300-WE5	2.5"	3"	30	286TS	69.375"	15"	6.188"	11"	7"	4"	29.521"	26.711"	3"	9/16"	35.21"	44.21"	4.5"	11.74"
113558	GU 3C 2 400-WE10	2.5"	3"	40	324TS	84.375"	18"	6.188"	12"	7"	4"	29.526"	29.775"	4"	9/16"	40.38"	47.38"	3.5"	10.67"
113559	GU 3C 2 500-WE10	2.5"	3"	50	326TS	84.375"	18"	6.188"	12"	7"	4"	29.526"	29.775"	4"	9/16"	40.38"	47.38"	3.5"	10.67"
113560	GU 3C 2 600-WE10	2.5"	3"	60	364TS	99.375"	21"	6.188"	12"	7"	4"	29.526"	33.673"	4"	9/16"	46.08"	50.08"	2"	9.17"
113561	GU 3C 2 750-WE10	2.5"	3"	75	365TS	99.375"	21"	6.188"	12"	7"	4"	29.526"	33.673"	4"	9/16"	46.08"	50.08"	2"	9.17"
113562	GU 3E 2 100-4-WE4	2.5"	3"	10	215T	69.375"	15"	7.25"	11"	8.625"	3.875"	30.866"	19.431"	3"	9/16"	29.71"	36.71"	3.5"	12.33"
113563	GU 3E 2 150-4-WE4	2.5"	3"	15	254T	69.375"	15"	7.25"	11"	8.625"	3.875"	30.856"	24.647"	3"	9/16"	33.11"	42.11"	4.5"	13.33"
113564	GU 3E 2 200-4-WE4	2.5"	3"	20	256T	69.375"	15"	7.25"	11"	8.625"	3.875"	30.856"	24.647"	3"	9/16"	33.11"	42.11"	4.5"	13.33"
113565	GU 3E 2 250-4-WE10	2.5"	3"	25	284T	74.375"	16"	7.25"	11"	8.625"	3.875"	31.106"	28.083"	3"	9/16"	39.61"	45.61"	3"	11.83"
113566	GU 3F 2 150-4-WE5	2.5"	3"	15	254T	69.375"	15"	7.25"	11"	8.625"	3.875"	30.856"	24.647"	3"	9/16"	33.11"	42.11"	4.5"	13.33"
113567	GU 3F 2 200-4-WE5	2.5"	3"	20	256T	69.375"	15"	7.25"	11"	8.625"	3.875"	30.856"	24.647"	3"	9/16"	38.11"	42.11"	2"	10.83"
113568	GU 3F 2 250-4-WE10	2.5"	3"	25	284T	74.375"	16"	7.25"	11"	8.625"	3.875"	31.106"	28.083"	3"	9/16"	39.61"	45.61"	3"	11.83"
113569	GU 3F 2 300-4-WE10	2.5"	3"	30	286T	74.375"	16"	7.25"	11"	8.625"	3.875"	31.106"	28.083"	3"	9/16"	39.61"	45.61"	3"	11.83"
113625	GU 3G 3 250-4-WE10	2.5"	3"	25	284T	84.375"	18"	8"	14.25"	9.75"	3.75"	35.877"	28.088"	4"	9/16"	44.18"	48.18"	2"	12.62"
113626	GU 3G 3 300-4-WE10	2.5"	3"	30	286T	84.375"	18"	8"	14.25"	9.75"	3.75"	35.877"	28.088"	4"	9/16"	44.18"	48.18"	2"	12.62"
113627	GU 3G 3 400-4-WE20	2.5"	3"	40	324T	94.375"	20"	8"	14.25"	9.75"	3.75"	36.322"	31.72"	4"	9/16"	48.28"	52.28"	2"	12.62"
113628	GU 3G 3 500-4-WE20	2.5"	3"	50	326T	94.375"	20"	8"	14.25"	9.75"	3.75"	36.322"	31.72"	4"	9/16"	48.28"	52.28"	2"	12.62"
113570	GU 4B 1 30-4-WE3	3"	4"	3	182T	54.375"	12"	6.25"	9.25"	7.25"	4.375"	24.274"	16.02"	3"	9/16"	24.81"	28.81"	2"	9.62"
113571	GU 4B 1 50-4-WE3	3"	4"	5	184T	54.375"	12"	6.25"	9.25"	7.25"	4.375"	24.274"	16.02"	3"	9/16"	24.81"	28.81"	2"	9.62"
113572	GU 4B 1 75-4-WE3	3"	4"	7.5	213T	64.375"	14"	6.25"	9.25"	7.25"	4.375"	24.274"	19.431"	3"	9/16"	28.51"	32.51"	2"	9.62"
113573	GU 4B 2 250-WE5	3"	4"	25	284TS	69.375"	15"	6.25"	11"	7.25"	4.375"	30.807"	26.711"	3"	9/16"	35.21"	44.21"	4.5"	13.03"
113574	GU 4B 2 300-WE5	3"	4"	30	286TS	69.375"	15"	6.25"	11"	7.25"	4.375"	30.807"	26.711"	3"	9/16"	35.21"	44.21"	4.5"	13.03"
113575	GU 4B 2 400-WE10	3"	4"	40	324TS	84.375"	18"	6.25"	12"	7.25"	4.375"	30.812"	29.775"	4"	9/16"	40.38"	47.38"	3.5"	11.96"
113576	GU 4B 2 500-WE10	3"	4"	50	326TS	84.375"	18"	6.25"	12"	7.25"	4.375"	30.812"	29.775"	4"	9/16"	40.38"	47.38"	3.5"	11.96"
113577	GU 4C 1 75-4-WE4	3"	4"	7.5	213T	64.375"	14"	7.051"	10.25"	7.5"	4.25"	24.747"	19.421"	4"	9/16"	28.48"	32.48"	2"	10.03"
113578	GU 4C 1 100-4-WE4	3"	4"	10	215T	64.375"	14"	7.051"	10.25"	7.5"	4.25"	24.747"	19.421"	4"	9/16"	28.48"	32.48"	2"	10.03"
113579	GU 4C 1 150-4-WE5	3"	4"	15	254T	69.375"	15"	7.051"	10.25"	7.5"	4.25"	24.997"	24.897"	4"	9/16"	34.48"	38.48"	2"	10.03"
113580	GU 4C 1 200-4-WE5	3"	4"	20	256T	69.375"	15"	7.051"	10.25"	7.5"	4.25"	24.997"	24.897"	4"	9/16"	34.48"	38.48"	2"	10.03"
113581	GU 4C 2 500-WE10	3"	4"	50	326TS	84.375"	18"	7.051"	12"	7.5"	4.25"	31.299"	29.775"	4"	9/16"	40.38"	47.38"	3.5"	12.44"
113582	GU 4C 2 600-WE10	3"	4"	60	364TS	99.375"	21"	7.051"	12"	7.5"	4.25"	31.299"	33.673"	4"	9/16"	46.08"	50.08"	2"	10.94"
113583	GU 4C 2 750-WE10	3"	4"	75	365TS	99.375"	21"	7.051"	12"	7.5"	4.25"	31.299"	33.673"	4"	9/16"	46.08"	50.08"	2"	10.94"
113584	GU 4C 2 1000-WE20	3"	4"	100	405TS	104.375"	22"	7.051"	14"	7.5"	4.25"	31.744"	38.082"	6"	9/16"	51.66"	55.66"	2"	10.63"
113585	GU 4C 2 1250-WE20	3"	4"	125	444TS	129.375"	27"	7.051"	14"	7.5"	4.25"	31.744"	42.793"	6"	9/16"	56.36"	60.36"	2"	10.63"
113586	GU 4E 2 150-4-WE5	3"	4"	15	254T	69.375"	15"	8.375"	11"	10"	5.25"	32.335"	24.647"	3"	9/16"	38.11"	42.11"	2"	12.3"
113587	GU 4E 2 200-4-WE5	3"	4"	20	256T	69.375"	15"	8.375"	11"	10"	5.25"	32.335"	24.647"	3"	9/16"	38.11"	42.11"	2"	12.3"
113588	GU 4E 2 250-4-WE10	3"	4"	25	284T	74.375"	16"	8.375"	11"	10"	5.25"	32.585"	28.083"	3"	9/16"	36.61"	45.61"	4.5"	14.8"
113589	GU 4E 2 300-4-WE10	3"	4"	30	286T	74.375"	16"	8.375"	11"	10"	5.25"	32.585"	28.083"	3"	9/16"	36.61"	45.61"	4.5"	14.8"
113590	GU 4E 2 400-4-WE20	3"	4"	40	324T	84.375"	18"	8.375"	12"	10"	5.25"	33035"	31.72"	4"	9/16"	45.78"	49.78"	2"	12.23"
113591	GU 4E 2 500-4-WE20	3"	4"	50	326T	84.375"	18"	8.375"	12"	10"	5.25"	33035"	31.72"	4"	9/16"	45.78"	49.78"	2"	12.23"
113592	GU 4G 3 400-4-WE20	3"	4"	40	324T	94.375"	20"	8.948"	14.25"	11"	4.375"	37.08"	31.72"	4"	9/16"	48.28"	52.28"	2"	13.38"
113593	GU 4G 3 500-4-WE20	3"	4"	50	326T	94.375"	20"	8.948"	14.25"	11"	4.375"	37.08"	31.72"	4"	9/16"	48.28"	52.28"	2"	13.38"
113594	GU 4G 3 600-4-WE30	3"	4"	60	364TS	94.375"	20"	8.948"	14.25"	11"	4.375"	372.245"	342.625"	4"	9/16"	47.68"	53.68"	3"	14.38"
113595	GU 4G 3 750-4-WE30	3"	4"	75	365TS	94.375"	20"	8.948"	14.25"	11"	4.375"	372.245"	342.625"	4"	9/16"	47.68"	53.68"	3"	14.38"
113596	GU 5C 2 100-4-WE4	4"	5"	10	215T	69.375"	15"	7.625"	11"	8"	5.25"	32.624"	19.431"	3"	9/16"	29.71"	36.71"	3.5"	14.08"
113597	GU 5C 2 150-4-WE5	4"	5"	15	254T	69.375"	15"	7.625"	11"	8"	5.25"	32.614"	24.647"	3"	9/16"	38.11"	42.11"	2"	12.58"
113598	GU 5C 2 200-4-WE5	4"	5"	20	256T	69.375"	15"	7.625"	11"	8"	5.25"	32.614"	24.647"	3"	9/16"	38.11"	42.11"	2"	12.58"
113599	GU 5C 2 250-4-WE10	4"	5"	25	284T	74.375"	16"	7.625"	11"	8"	5.25"	32.864"	28.083"	3"	9/16"	36.61"	45.61"	4.5"	15.08"

Ref.	Model	Suc	Disc	Power (HP)	Dimensions (Inches)														
					Frame	HE	HA	Z	HD	X	Y	CP	C MAX"	HG	HH	HF	HB	HP	HL
113600	GU 5C 2 300-4-WE10	4"	5"	30	286T	74.375"	16"	7.625"	11"	8"	5.25"	32.864"	28.083"	3"	9/16"	36.61"	45.61"	4.5"	15.08"
113601	GU 5E 2 200-4-WE5	4"	5"	20	256T	69.375"	15"	83.125"	11"	10.5"	5.5"	33.381"	24.647"	3"	9/16"	38.11"	42.11"	2"	13.35"
113602	GU 5E 2 250-4-WE10	4"	5"	25	284T	74.375"	16"	83.125"	11"	10.5"	5.5"	33.631"	28.083"	3"	9/16"	36.61"	45.61"	4.5"	15.85"
113603	GU 5E 2 300-4-WE10	4"	5"	30	286T	74.375"	16"	83.125"	11"	10.5"	5.5"	33.631"	28.083"	3"	9/16"	36.61"	45.61"	4.5"	15.85"
113604	GU 5E 2 400-4-WE20	4"	5"	40	324T	84.375"	18"	83.125"	12"	10.5"	5.5"	34.081"	31.72"	4"	9/16"	45.78"	49.78"	2"	13.28"
113605	GU 5E 2 500-4-WE20	4"	5"	50	326T	84.375"	18"	83.125"	12"	10.5"	5.5"	34.081"	31.72"	4"	9/16"	42.78"	49.78"	3.5"	14.78"
113629	GU 5G 4 250-4-WE20	4"	5"	25	284T	84.375"	18"	9.875"	15"	10"	5.75"	39.176"	28533"	4"	9/16"	46.78"	50.78"	2"	14.57"
113630	GU 5G 4 300-4-WE20	4"	5"	30	286T	84.375"	18"	9.875"	15"	10"	5.75"	39.176"	28533"	4"	9/16"	46.78"	50.78"	2"	14.57"
113631	GU 5G 4 400-4-WE20	4"	5"	40	324T	94.375"	20"	9.875"	15"	10"	5.75"	39.176"	31.72"	4"	9/16"	49.98"	53.98"	2"	14.57"
113632	GU 5G 4 500-4-WE20	4"	5"	50	326T	94.375"	20"	9.875"	15"	10"	5.75"	39.176"	31.72"	4"	9/16"	49.98"	53.98"	2"	14.57"
113633	GU 5G 4 600-4-WE30	4"	5"	60	364TS	99.375"	21"	9.875"	15"	10"	5.75"	393.205"	342.625"	4"	9/16"	51.48"	55.48"	2"	14.57"
113634	GU 5G 4 750-4-WE30	4"	5"	75	365TS	99.375"	21"	9.875"	15"	10"	5.75"	393.205"	342.625"	4"	9/16"	51.48"	55.48"	2"	14.57"
113635	GU 5G 4 1000-4-WE40	4"	5"	100	405TS	104.375"	22"	9.875"	15"	10"	5.75"	39.406"	38.312"	4"	9/16"	51.08"	60.08"	4.5"	17.07"
113606	GU 6C 2 150-4-WE5	5"	6"	15	254T	79.375"	17"	8.56"	14"	8.375"	6.125"	33.873"	24.647"	6"	9/16"	38.18"	42.18"	2"	13.63"
113607	GU 6C 2 200-4-WE5	5"	6"	20	256T	79.375"	17"	8.56"	14"	8.375"	6.125"	33.873"	24.647"	6"	9/16"	38.18"	42.18"	2"	13.63"
113608	GU 6C 2 250-4-WE10	5"	6"	25	284T	79.375"	17"	8.56"	14"	8.375"	6.125"	34.128"	28.088"	6"	9/16"	41.68"	45.68"	2"	13.63"
113609	GU 6C 2 300-4-WE10	5"	6"	30	286T	79.375"	17"	8.56"	14"	8.375"	6.125"	34.128"	28.088"	6"	9/16"	41.68"	45.68"	2"	13.63"
113610	GU 6C 2 400-4-WE20	5"	6"	40	324T	84.375"	18"	8.56"	14"	8.375"	6.125"	34.573"	31.72"	6"	9/16"	45.06"	50.06"	2.5"	14.13"
113611	GU 6E 2 250-4-WE10	5"	6"	25	284T	74.375"	16"	9.688"	14"	8.875"	6.125"	34.198"	28.088"	6"	9/16"	41.96"	45.96"	2"	13.7"
113612	GU 6E 2 300-4-WE10	5"	6"	30	286T	74.375"	16"	9.688"	14"	8.875"	6.125"	34.198"	28.088"	6"	9/16"	41.96"	45.96"	2"	13.7"
113613	GU 6E 2 400-4-WE20	5"	6"	40	324T	84.375"	18"	9.688"	14"	8.875"	6.125"	34.643"	31.72"	6"	9/16"	45.06"	50.06"	2.5"	14.2"
113614	GU 6E 2 500-4-WE20	5"	6"	50	326T	84.375"	18"	9.688"	14"	8.875"	6.125"	34.643"	31.72"	6"	9/16"	45.06"	50.06"	2.5"	14.2"
113615	GU 6E 2 600-4-WE30	5"	6"	60	364TS	99.375"	21"	9.688"	14"	8.875"	6.125"	347.875"	342.625"	6"	9/16"	42.46"	51.46"	4.5"	16.06"
113616	GU 6E 2 750-4-WE30	5"	6"	75	365TS	99.375"	21"	9.688"	14"	8.875"	6.125"	347.875"	342.625"	6"	9/16"	42.46"	51.46"	4.5"	16.06"
113617	GU 6G 4 1000-4-WE40	5"	6"	100	405TS	104.375"	22"	11.062"	15"	10"	6.125"	40.554"	38.312"	4"	9/16"	51.08"	60.08"	4.5"	18.22"
113618	GU 6G 4 1250-4-WE40	5"	6"	125	444TS	114.375"	24"	11.062"	15"	10"	6.125"	40.554"	44.023"	4"	9/16"	61.28"	65.28"	2"	15.72"
113619	GU 6G 4 1500-4-WE40	5"	6"	150	445TS	114.375"	24"	11.062"	15"	10"	6.125"	40.554"	44.023"	4"	9/16"	61.28"	65.28"	2"	15.72"
113620	GU 6G 4 2000-4-WE60	5"	6"	200	445TS	114.375"	24"	11.062"	15"	10"	6.125"	41.074"	43.543"	4"	9/16"	61.78"	65.78"	2"	15.72"
113621	GU 8E 3 600-4-WE30	6"	8"	60	364TS	94.375"	20"	7.875"	14.25"	13"	7"	397.255"	342.625"	4"	9/16"	43.68"	53.68"	5"	18.88"
113622	GU 8E 3 750-4-WE30	6"	8"	75	365TS	94.375"	20"	7.875"	14.25"	13"	7"	397.255"	342.625"	4"	9/16"	43.68"	53.68"	5"	18.88"
113623	GU 8E 3 1000-4-WE40	6"	8"	100	405TS	104.375"	22"	7.875"	16.25"	13"	7"	39.811"	38.312"	6"	9/16"	54.66"	58.66"	2"	15.59"
113624	GU 8E 3 1250-4-WE40	6"	8"	125	444TS	129.375"	27"	7.875"	16.25"	13"	7"	39.811"	43.023"	6"	9/16"	59.36"	63.36"	2"	15.59"

Complete	Repair Kit Seal
1B0205S	0B0205SRK
1B0206S	0B0206SRK
1B0207S	0B0207SRK
1B0208S	0B0208SRK
1B0208PS	0B0208PSRK
1B0209S	0B0209SRK
1B0210S	0B0210SRK
1B0211S	0B0211SRK
1B0212S	0B0212SRK
1B0213S	0B0213SRK
1B0214S	0B0214SRK
1B0215S	0B0215SRK
1B0216S	0B0216SRK
1B0216PS	0B0216PSRK
1B0217S	0B0217SRK
1B0218S	0B0218SRK
1B0218PS	0B0218PSRK
1B0450S	0B0450SRK
1B0451S	0B0451SRK
1B0452S	0B0452SRK
1B0453S	0B0453SRK
1B0453PS	0B0453PSRK
1B0454S	0B0454SRK
1B0455S	0B0455SRK
1B0455PS	0B0455PSRK
1B0456S	0B0456SRK
1B0457S	0B0457SRK
1B0457PS	0B0457PSRK
1B0460S	0B0460SRK
1B0461S	0B0461SRK
1B0462S	0B0462SRK
1B0463S	0B0463SRK
1B0464S	0B0464SRK
1B0465S	0B0465SRK
1B0466S	0B0466SRK
1B0467S	0B0467SRK
1B0468S	0B0468SRK
1B0469S	0B0469SRK
1B0470S	0B0470SRK
1B0001S	0B0001SRK
1B0002S	0B0002SRK
1B0003S	0B0003SRK

Complete	Repair Kit Seal
1B0004S	0B0004SRK
1B0005S	0B0005SRK
1B0006S	0B0006SRK
1B0007S	0B0007SRK
1B0008S	0B0008SRK
1B0009S	0B0009SRK
1B0010S	0B0010SRK
1B0011S	0B0011SRK
1B0012S	0B0012SRK
1B0013S	0B0013SRK
1B0014S	0B0014SRK
1B0015S	0B0015SRK
1B0016S	0B0016SRK
1B0017S	0B0017SRK
1B0018S	0B0018SRK
1B0019S	0B0019SRK
1B0020S	0B0020SRK
1B0021S	0B0021SRK
1B0022S	0B0022SRK
1B0023S	0B0023SRK
1B0024S	0B0024SRK
1B0025S	0B0025SRK
1B0026S	0B0026SRK
1B0027S	0B0027SRK
1B0028S	0B0028SRK
1B0029S	0B0029SRK
1B0030S	0B0030SRK
1B0031S	0B0031SRK
1B0032S	0B0032SRK
1B0033S	0B0033SRK
1B0034S	0B0034SRK
1B0035S	0B0035SRK
1B0036S	0B0036SRK
1B0037S	0B0037SRK
1B0038S	0B0038SRK
1B0039S	0B0039SRK
1B0040S	0B0040SRK
1B0041S	0B0041SRK
1B0042S	0B0042SRK
1B0043S	0B0043SRK
1B0044S	0B0044SRK
1B0045S	0B0045SRK

Complete	Repair Kit Seal
1B0046S	0B0046SRK
1B0047S	0B0047SRK
1B0048S	0B0048SRK
1B0049S	0B0049SRK
1B0050S	0B0050SRK
1B0051S	0B0051SRK
1B0052S	0B0052SRK
1B0053S	0B0053SRK
1B0054S	0B0054SRK
1B0055S	0B0055SRK
1B0056S	0B0056SRK
1B0057S	0B0057SRK
1B0058S	0B0058SRK
1B0059S	0B0059SRK
1B0060S	0B0060SRK
1B0061S	0B0061SRK
1B0062S	0B0062SRK
1B0063S	0B0063SRK
1B0064S	0B0064SRK
1B0065S	0B0065SRK
1B0066S	0B0066SRK
1B0067S	0B0067SRK
1B0068S	0B0068SRK
1B0069S	0B0069SRK
1B0070S	0B0070SRK
1B0071S	0B0071SRK
1B0072S	0B0072SRK
1B0073S	0B0073SRK
1B0074S	0B0074SRK
1B0075S	0B0075SRK
1B0076S	0B0076SRK
1B0077S	0B0077SRK
1B0078S	0B0078SRK
1B0079S	0B0079SRK
1B0080S	0B0080SRK
1B0081S	0B0081SRK
1B0082S	0B0082SRK
1B0083S	0B0083SRK
1B0084S	0B0084SRK
1B0085S	0B0085SRK
1B0086S	0B0086SRK
1B0087S	0B0087SRK

Complete	Repair Kit Seal
1B0088S	0B0088SRK
1B0089S	0B0089SRK
1B0090S	0B0090SRK
1B0091S	0B0091SRK
1B0092S	0B0092SRK
1B0093S	0B0093SRK
1B0094S	0B0094SRK
1B0095S	0B0095SRK
1B0096S	0B0096SRK
1B0097S	0B0097SRK
1B0137S	0B0137SRK
1B0144S	0B0144SRK
1B0145S	0B0145SRK
1B0146S	0B0146SRK
1B0220S	0B0220SRK
1B0221S	0B0221SRK
1B0222S	0B0222SRK
1B0223S	0B0223SRK
1B0224S	0B0224SRK
1B0225S	0B0225SRK
1B0226S	0B0226SRK
1B0227S	0B0227SRK
1B0228S	0B0228SRK
1B0230S	0B0230SRK
1B0231S	0B0231SRK
1B0232S	1B0232SRK
1B0233S	0B0233SRK
1B0234S	0B0234SRK
1B0235S	0B0235SRK
1B0236S	0B0236SRK
1B0237S	0B0237SRK
1B0238S	0B0238SRK
1B0239S	0B0239SRK
1B0240S	0B0240SRK
1B0241S	0B0241SRK
1B0242S	0B0242SRK
1B0243S	0B0243SRK
1B0244S	0B0244SRK
1B0245S	0B0245SRK
1B0246S	0B0246SRK
1B0247S	0B0247SRK
1B0248S	0B0248SRK

Complete	Repair Kit Seal
1B0249S	0B0249SRK
1B0250S	0B0250SRK
1B0251S	0B0251SRK
1B0252S	0B0252SRK
1B0253S	0B0253SRK
1B0254S	0B0254SRK
1B0255S	0B0255SRK
1B0256S	0B0256SRK
1B0100S	0B0100SRK
1B0101S	0B0101SRK
1B0102S	0B0102SRK
1B0103S	0B0103SRK
1B0104S	0B0104SRK
1B0105S	0B0105SRK
1B0106S	0B0106SRK
1B0107S	0B0107SRK
1B0108S	0B0108SRK
1B0109S	0B0109SRK
1B0110S	0B0110SRK
1B0111S	0B0111SRK
1B0112S	0B0112SRK
1B0113S	0B0113SRK
1B0114S	0B0114SRK
1B0115S	0B0115SRK
1B0116S	0B0116SRK
1B0117S	0B0117SRK
1B0118S	0B0118SRK
1B0119S	0B0119SRK
1B0120S	0B0120SRK
1B0121S	0B0121SRK
1B0122S	0B0122SRK
1B0123S	0B0123SRK
1B0124S	0B0124SRK
1B0125S	0B0125SRK
1B0126S	0B0126SRK
1B0127S	0B0127SRK
1B0128S	0B0128SRK
1B0129S	0B0129SRK
1B0130S	0B0130SRK
1B0131S	0B0131SRK
1B0257S	0B0257SRK

GS Pumps

- GE 1B 20
- GE 1B 30
- GE 1B 50
- GE 1B 75
- GE 1B 100
- GU 1B 100

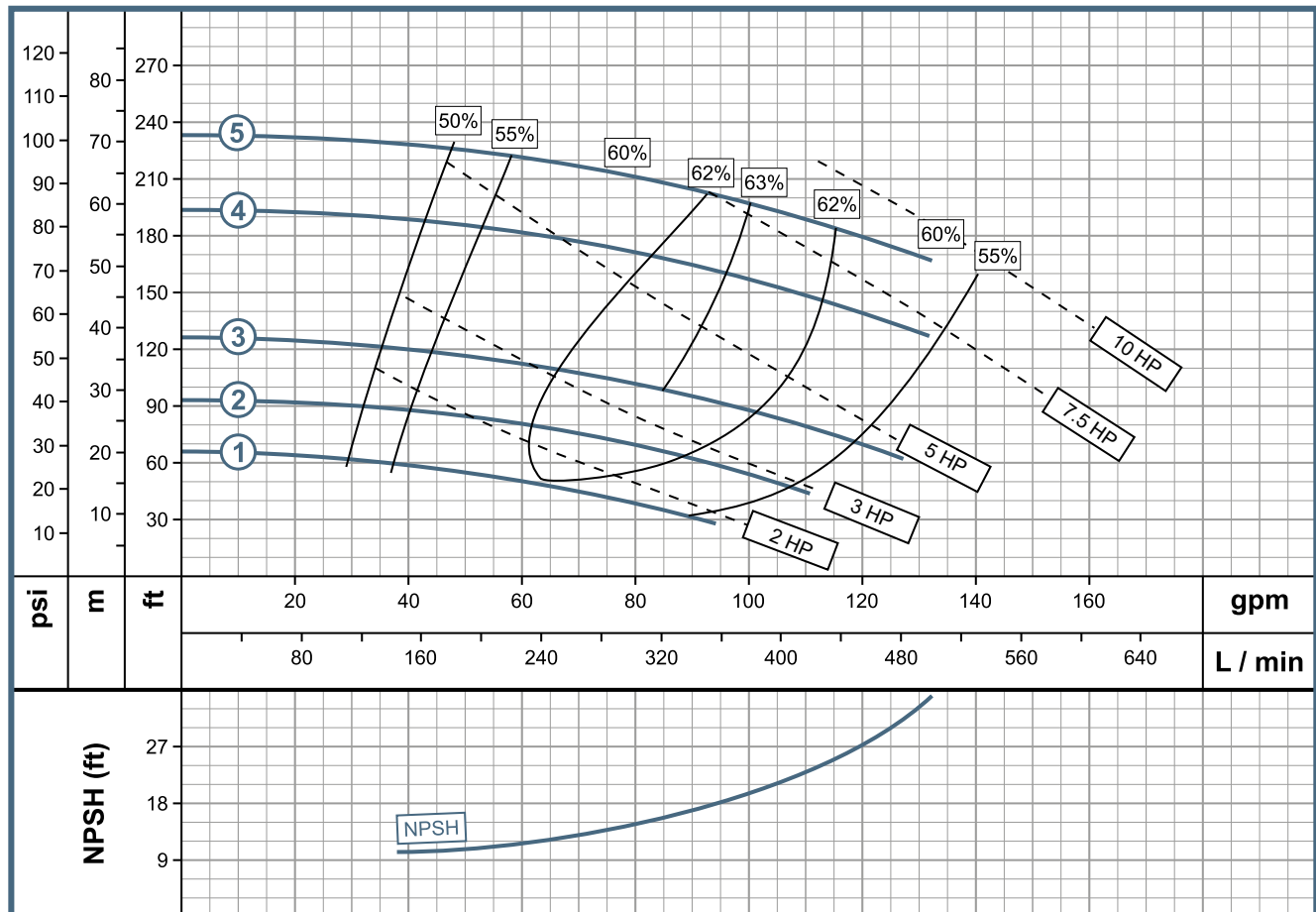


www.wdmpumps.com

Pump Features					
Pump Type		Design		Impeller	
End suction		Close coupled / Frame Mounted		Enclosed, Stainless Steel. *	
Stages		Mechanical Seal		Fluid temperature range	
1		1 1/4" T1		26.6°F to 225°F	
Model	Reference	Ø Suction	Ø Discharge	Ø Impeller	
1	GE 1B 20	1B0205S	1 1/4" NPT	1" NPT 4.250"	
2	GE 1B 30	1B0206S	1 1/4" NPT	1" NPT 4.900"	
3	GE 1B 50	1B0207S	1 1/4" NPT	1" NPT 5.500"	
4	GE 1B 75	1B0208S	1 1/4" NPT	1" NPT 6.500"	
5	GE 1B 100	1B0209S	1 1/4" NPT	1" NPT 7.100"	
5	GU 1B 100	1B0185S	1 1/4" NPT	1" NPT 7.100"	

Motor Features			
Drive		Speed (rpm)	Frequency (Hz)
Electric		3600 (nominal)	60
Power (HP)	Phase	Voltage (V)	Frame
2	3	230/460	145JM
3	3	230/460	182JM
5	3	230/460	184JM
7.5	3	230/460	184JM
10	3	230/460	215JM
Frame Mounted			

Performance Curve

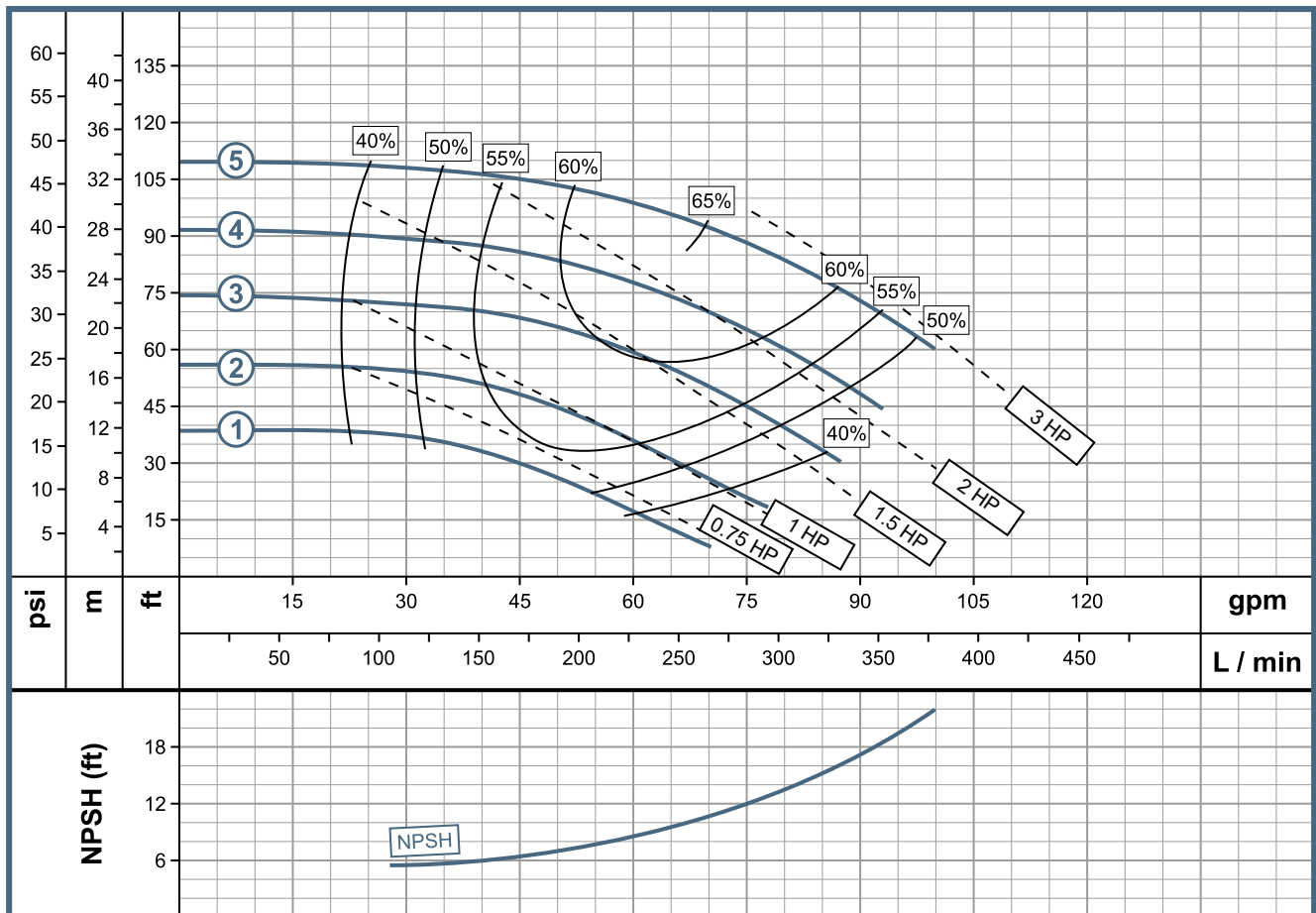


TEFC Enclosure as standard configuration
 Technical features are subject to change without notice.

Pump Features					
Pump Type		Design		Impeller	
End Suction		Close Coupled		Enclosed, Stainless Steel. *	
Stages		Mechanical Seal		Fluid temperature range	
1		5/8" T6		26.6°F to 225°F	
Model	Reference	Ø Suction	Ø Discharge	Ø Impeller	
1	GE 1.25A 7	1B0210S	1 1/2" NPT	1 1/4" NPT 3.250"	
2	GE 1.25A 10	1B0211S	1 1/2" NPT	1 1/4" NPT 3.750"	
3	GE 1.25A 15	1B0212S	1 1/2" NPT	1 1/4" NPT 4.250"	
4	GE 1.25A 20	1B0213S	1 1/2" NPT	1 1/4" NPT 4.750"	
5	GE 1.25A 30	1B0214S	1 1/2" NPT	1 1/4" NPT 5.130"	

Motor Features			
Drive		Speed (rpm)	Frequency (Hz)
Electric		3600 (nominal)	60
Power (HP)	Phase	Voltage (V)	Frame
0.7	3	230/460	56J
1	3	230/460	56J
1.5	3	230/460	56J
2	3	230/460	56J
3	3	230/460	56J

Performance Curve



TEFC Enclosure as standard configuration
 Technical features are subject to change without notice.

GS Pumps

- GE 1.25B 50
- GE 1.25B 75
- GE 1.25B 100
- GE 1.25B 150
- GU 1.5B

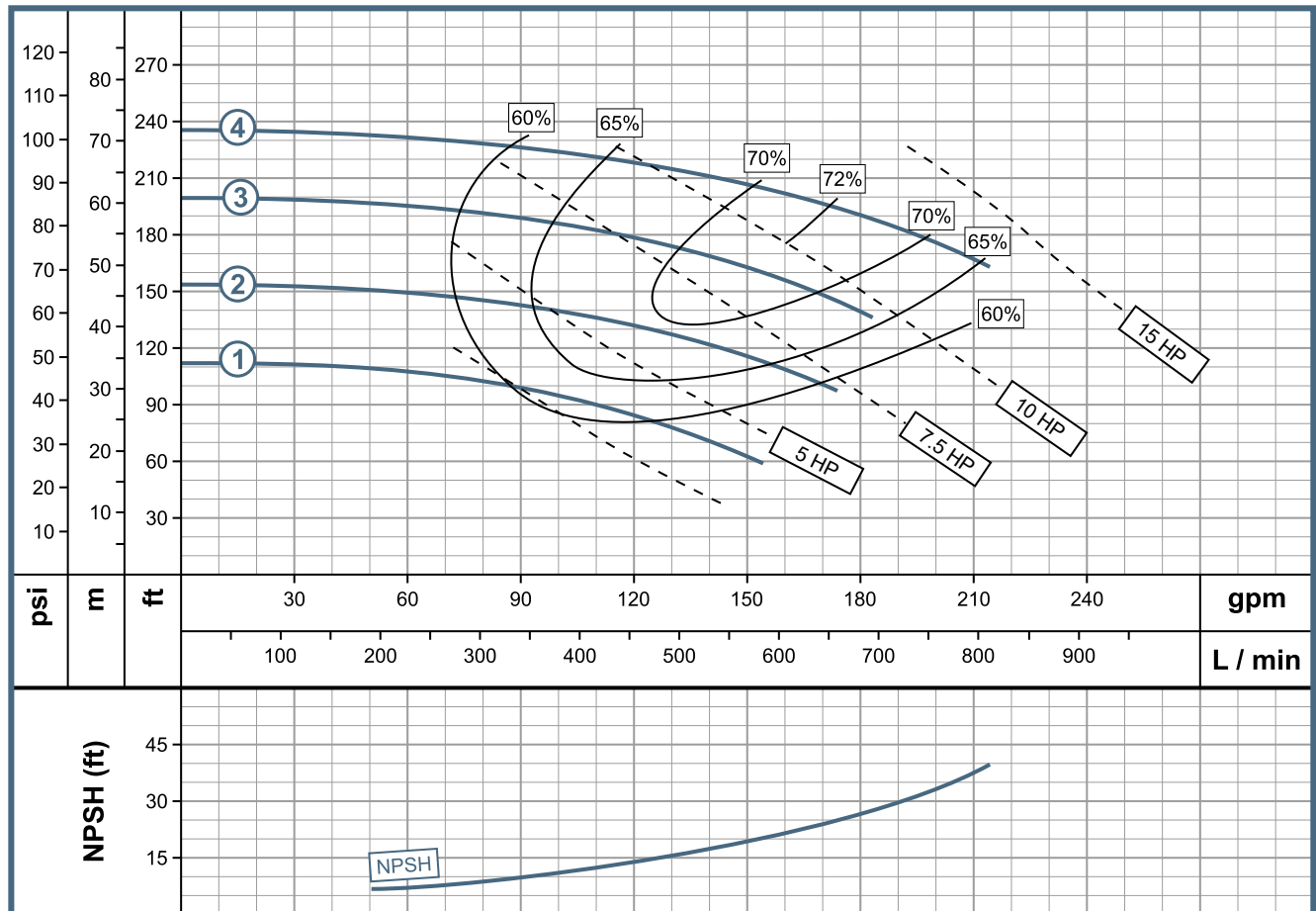


www.wdmpumps.com

Pump Features					
Pump Type		Design		Impeller	
End Suction		Close Coupled / Frame Mounted		Enclosed, Stainless Steel. *	
Stages		Mechanical Seal		Fluid Temperature Range	
1		1 1/4" T1		26.6°F to 225°F	
Model	Reference	Ø Suction	Ø Discharge	Ø Impeller	
1	GE 1.25B 50	1B0215S	1 1/2" NPT	1 1/4" NPT 5.000"	
2	GE 1.25B 75	1B0216S	1 1/2" NPT	1 1/4" NPT 5.750"	
3	GE 1.25B 100	1B0217S	1 1/2" NPT	1 1/4" NPT 6.500"	
4	GE 1.25B 150	1B0218S	1 1/2" NPT	1 1/4" NPT 7.100"	
4	GU 1.25B	1B0186S	1 1/2" NPT	1 1/4" NPT 7.100"	

Motor Features			
Drive		Speed (rpm)	Frequency (Hz)
Electric		3600 (nominal)	60
Power (HP)	Phase	Voltage (V)	Frame
5	3	230/460	184JM
7.5	3	230/460	184JM
10	3	230/460	215JM
15	3	230/460	215JM
Frame Mounted			

Performance Curve

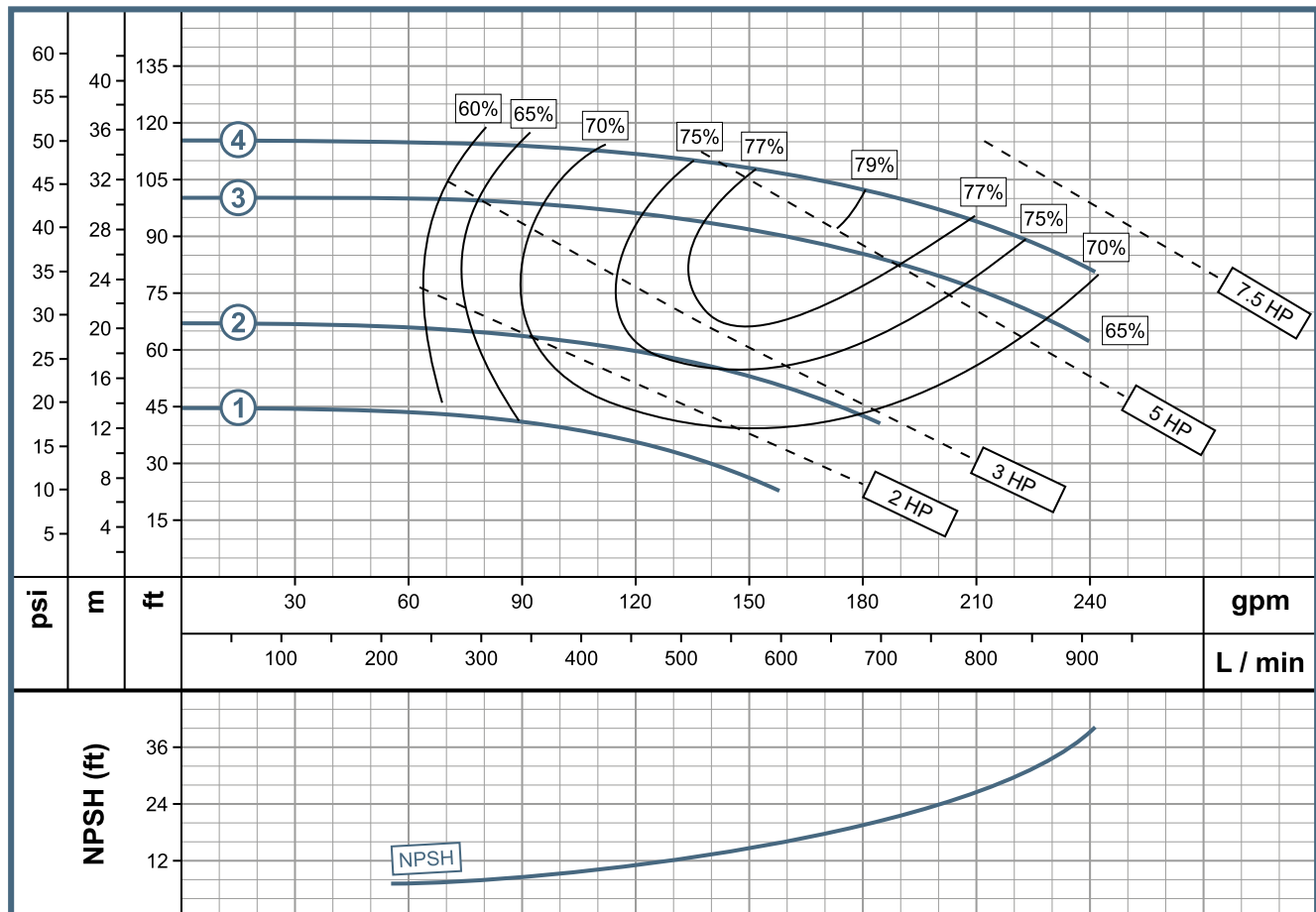


TEFC Enclosure as standard configuration
 Technical features are subject to change without notice.

Pump Features					
Pump Type	Design		Impeller		
End Suction	Close Coupled		Enclosed, Stainless Steel. *		
Stages	Mechanical Seal		Fluid Temperature Range		
1	1 1/4" T1		26.6°F to 225°F		
Model	Reference	Ø Suction	Ø Discharge	Ø Impeller	
1	GE 1.5A 20	1B0450S	2" NPT	1 1/2" NPT	3.380"
2	GE 1.5A 30	1B0451S	2" NPT	1 1/2" NPT	4.000"
3	GE 1.5A 50	1B0452S	2" NPT	1 1/2" NPT	4.750"
4	GE 1.5A 75	1B0453S	2" NPT	1 1/2" NPT	5.000"

Motor Features				
Drive		Speed (rpm)	Frequency (Hz)	
Electric		3600 (nominal)	60	
Power (HP)	Phase	Voltage (V)	Frame	
2	3	230/460	145JM	
3	3	230/460	182JM	
5	3	230/460	184JM	
7.5	3	230/460	184JM	

Performance Curve



GS Pumps

- GE 1.5B 50
- GE 1.5B 75
- GE 1.5B 100
- GE 1.5B 150
- GU 1.5B

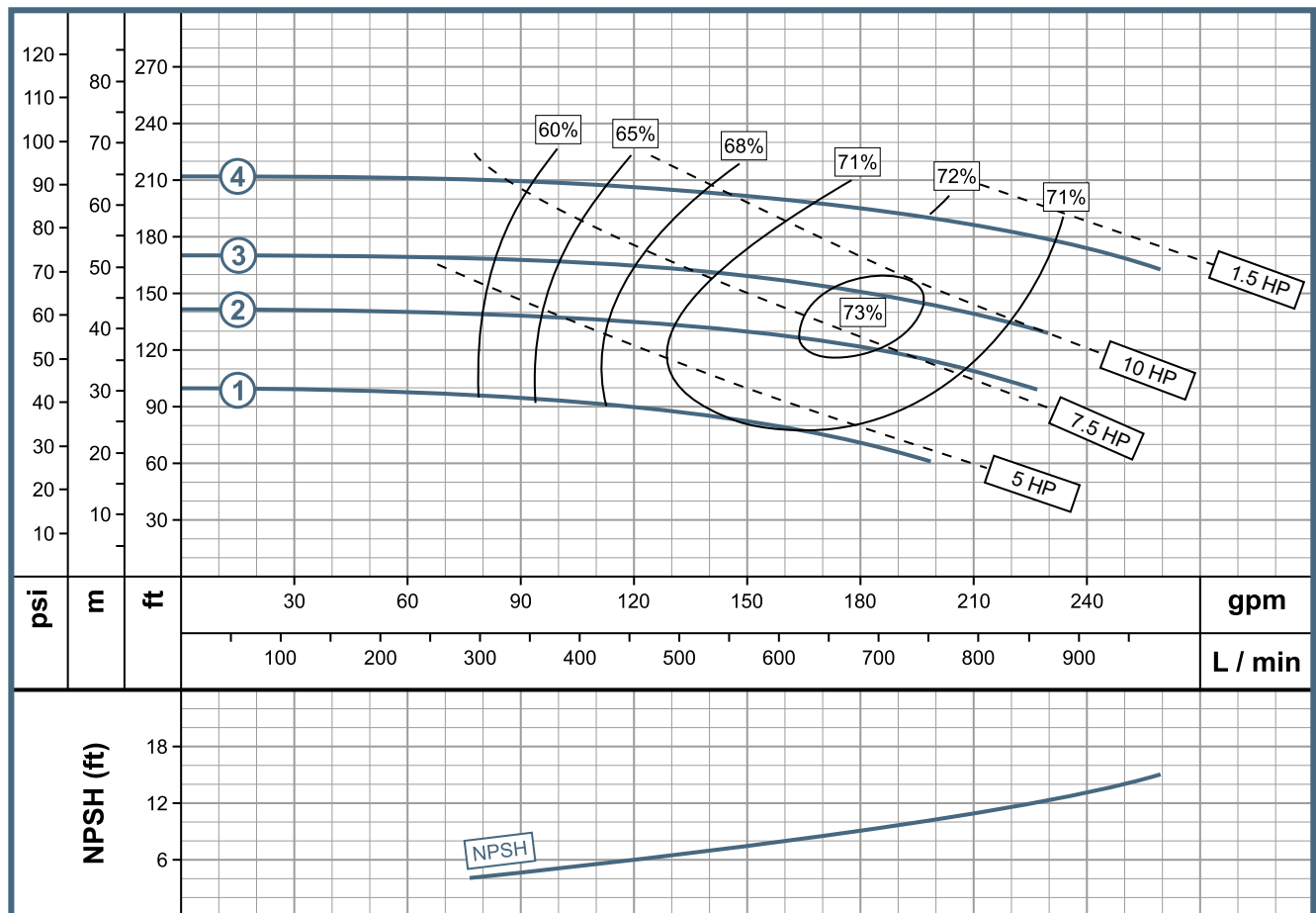


www.wdmpumps.com

Pump Features					
Pump Type		Design		Impeller	
End Suction		Close Coupled / Frame Mounted		Enclosed, Stainless Steel. *	
Stages		Mechanical Seal		Fluid Temperature Range	
1		1 1/4" T1		26.6°F to 225°F	
Model	Reference	Ø Suction	Ø Discharge	Ø Impeller	
1	GE 1.5B 50	1B0454S	2" NPT	1 1/2" NPT 5.000"	
2	GE 1.5B 75	1B0455S	2" NPT	1 1/2" NPT 5.870"	
3	GE 1.5B 100	1B0456S	2" NPT	1 1/2" NPT 6.370"	
4	GE 1.5B 150	1B0457S	2" NPT	1 1/2" NPT 7.100"	
4	GU 1.5B	1B0187S	2" NPT	1 1/2" NPT 7.100"	

Motor Features			
Drive		Speed (rpm)	Frequency (Hz)
Electric		3600 (nominal)	60
Power (HP)	Phase	Voltage (V)	Frame
5	3	230/460	184JM
7.5	3	230/460	184JM
10	3	230/460	215JM
15	3	230/460	215JM
Frame Mounted			

Performance Curve

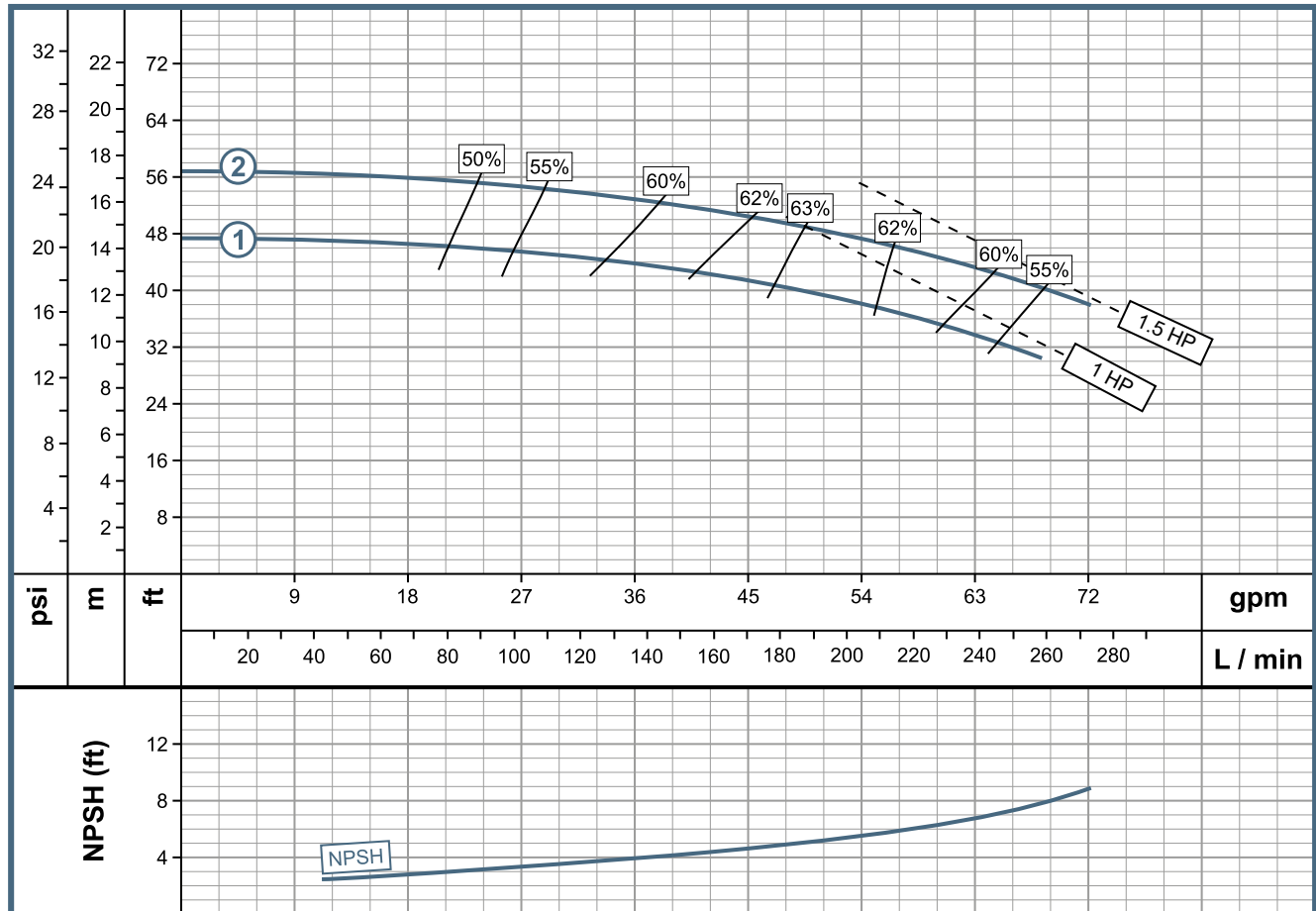


TEFC Enclosure as standard configuration
 Technical features are subject to change without notice.

Pump Features					
Pump Type		Design		Impeller	
End Suction		Close Coupled / Frame Mounted		Enclosed, Stainless Steel. *	
Stages		Mechanical Seal		Fluid Temperature Range	
1		1 1/4" T1		26.6°F to 225°F	
Modelo	Referencia	Ø Succión	Ø Descarga	Ø Impulsor	
1	GE 1B 10-4	1B0460S	1 1/4" NPT	1" NPT 7.100"	
2	GE 1B 15-4	1B0461S	1 1/4" NPT	1" NPT 6.500"	
2	GU 1B	1B0185S	1 1/4" NPT	1" NPT 6.500"	

Motor Features				
Drive		Speed (rpm)	Frequency (Hz)	
Electric		1800 (nominal)	60	
Power (HP)	Phase	Voltage (V)	Frame	
1.0	3	230/460	143JM	
1.5	3	230/460	145JM	
Frame Mounted				

Curva de rendimiento



Bombas GS

GE 1.25A 3-4
GE 1.25A 5-4

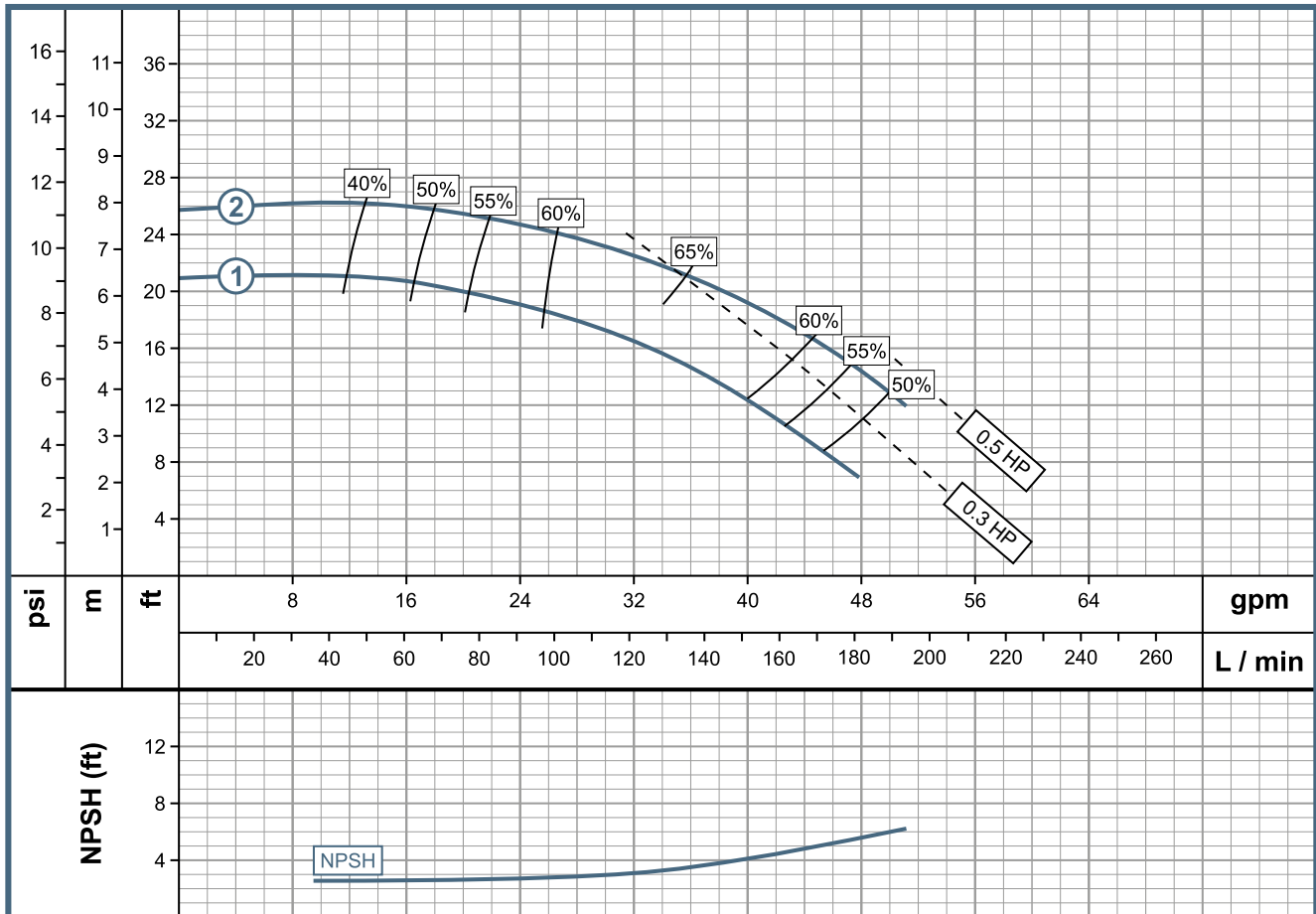


www.wdmpumps.com

Pump Features					
Pump Type	Design	Impeller			
End Suction	Close Coupled	Enclosed, Stainless Steel. *			
Stages	Mechanical Seal	Fluid Temperature Range			
1	5/8" T6	26.6°F to 225°F			
Model	Reference	Ø Suction	Ø Discharge	Ø Impeller	
1	GE 1.25A 3-4	1B0462S	1 1/2" NPT	1 1/4" NPT	5.130"
2	GE 1.25A 5-4	1B0461S	1 1/2" NPT	1 1/4" NPT	4.750"

Motor Features			
Drive	Speed (rpm)	Frequency (Hz)	
Electric	1800 (nominal)	60	
Power (HP)	Phase	Voltage (V)	Frame
0.3	3	230/460	56J
0.5	3	230/460	56J

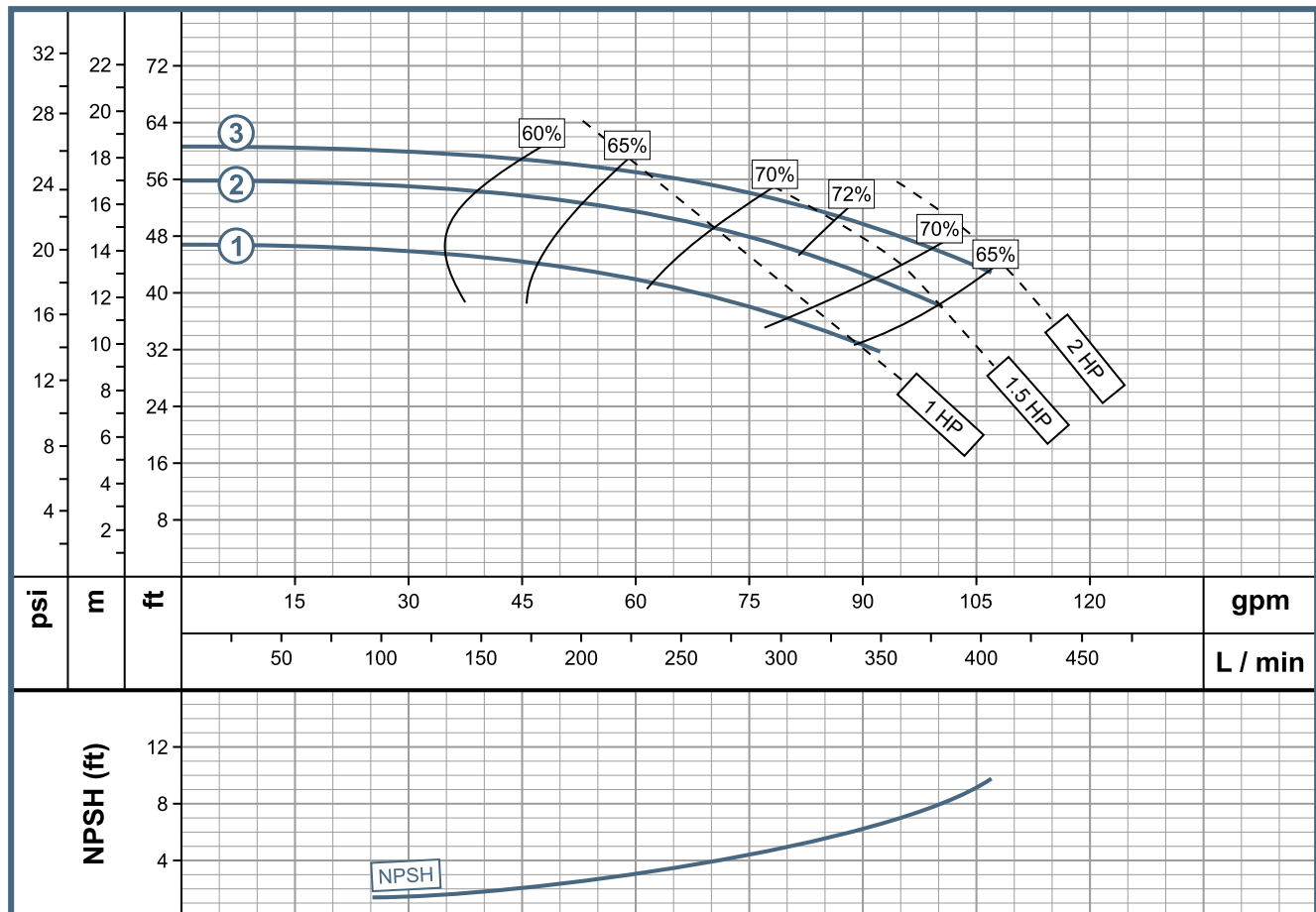
Curva de rendimiento



Pump Features					
Pump Type		Design		Impeller	
End Suction		Close Coupled / Frame Mounted		Enclosed, Stainless Steel. *	
Stages		Mechanical Seal		Fluid Temperature Range	
1		1 1/4" T1		26.6°F to 225°F	
Modelo	Referencia	Ø Succión	Ø Descarga	Ø Impulsor	
1	GE 1.25B 10-4	1B0464S	1 1/2" NPT	1 1/4" NPT	6.250"
2	GE 1.25B 15-4	1B0465S	1 1/2" NPT	1 1/4" NPT	6.750"
3	GE 1.25B 20-4	1B0466S	1 1/2" NPT	1 1/4" NPT	7.100"
3	GU 1.25B	1B0186S	1 1/2" NPT	1 1/4" NPT	7.100"

Motor Features			
Drive		Speed (rpm)	Frequency (Hz)
Electric		1800 (nominal)	60
Power (HP)	Phase	Voltage (V)	Frame
1	3	230/460	143JM
1.5	3	230/460	145JM
2	3	230/460	145JM
Frame Mounted			

Curva de rendimiento



Bombas GS

GE 1.5A 10-4

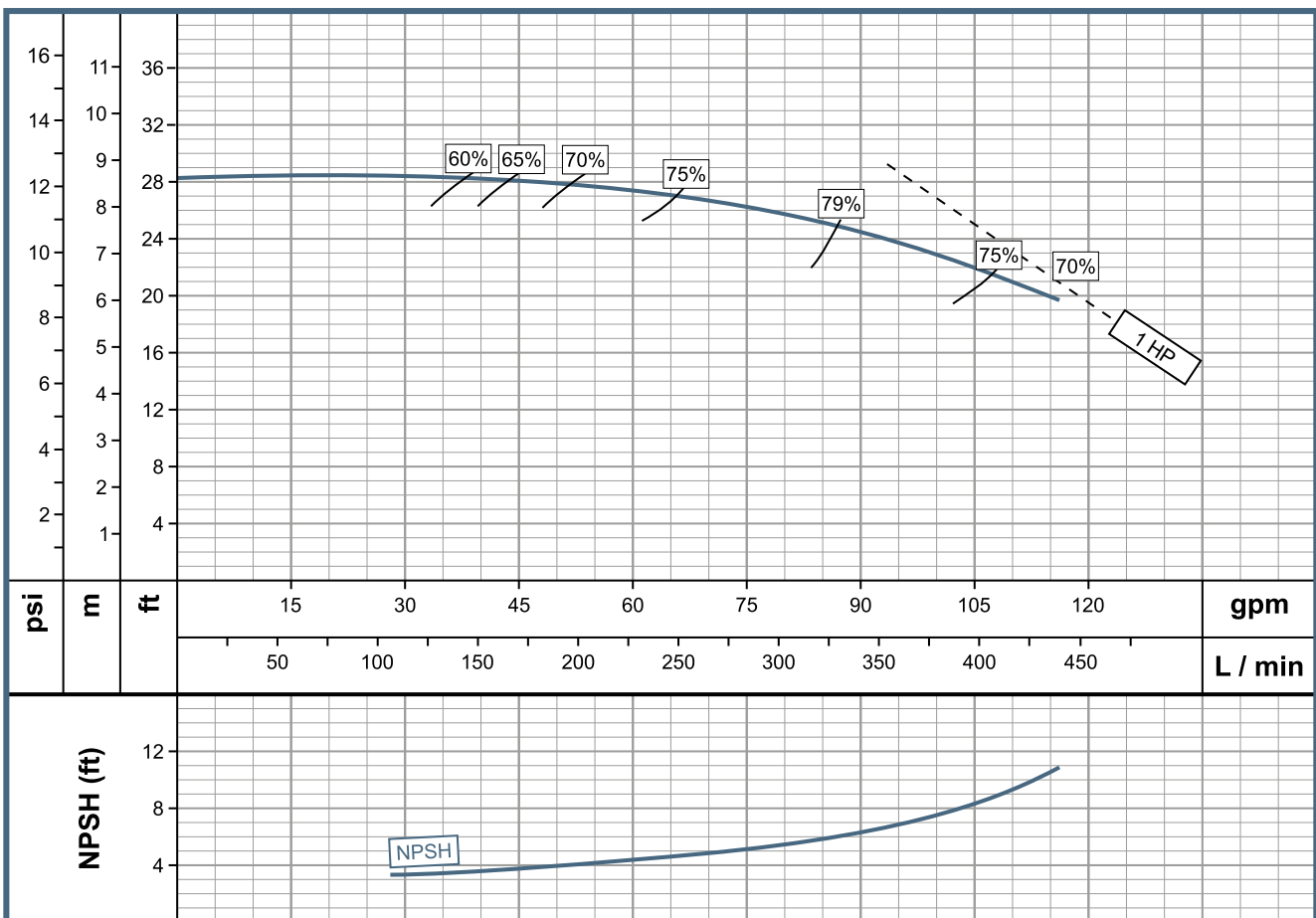


www.wdmpumps.com

Pump Features				
Pump Type	Design	Impeller		
End Suction	Close Coupled	Enclosed, Stainless Steel. *		
Stages	Mechanical Seal	Fluid Temperature Range		
1	1 1/4" T1	26.6°F to 225°F		
Model	Reference	Ø Suction	Ø Discharge	Ø Impeller
GE 1.5A 10-4	1B0467S	2" NPT	1 1/2" NPT	5.000"

Motor Features			
Drive	Speed (rpm)	Frequency (Hz)	
Electric	1800 (nominal)	60	
Power (HP)	Phase	Voltage (V)	Frame
1	3	230/460	143JM

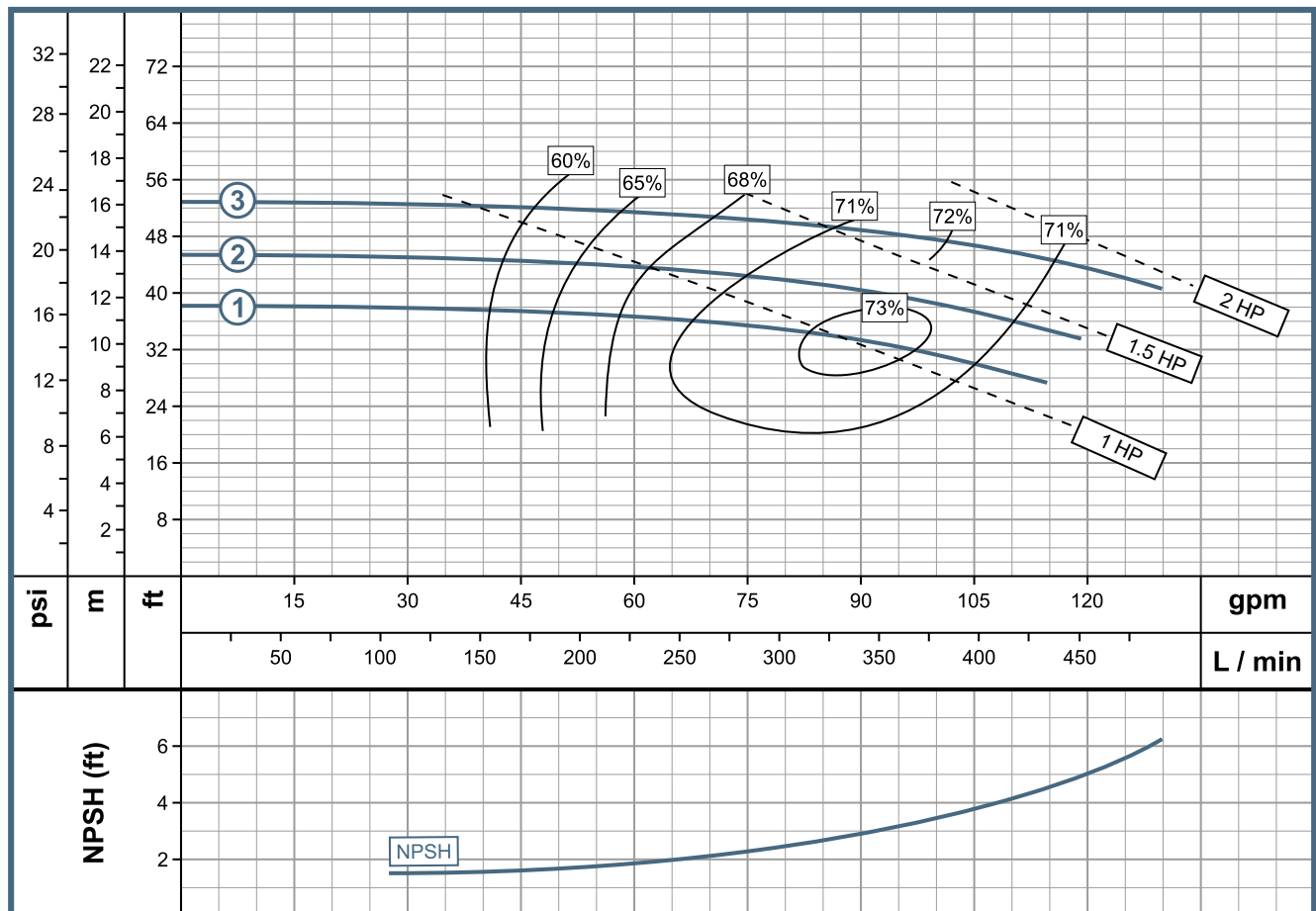
Curva de rendimiento



Pump Features					
Pump Type		Design		Impeller	
End Suction		Close Coupled / Frame Mounted		Enclosed, Stainless Steel. *	
Stages		Mechanical Seal		Fluid Temperature Range	
1		1 1/4" T1		26.6°F to 225°F	
Modelo	Referencia	Ø Succión	Ø Descarga	Ø Impulsor	
1	GE 1.5B 10-4	1B0468S	2" NPT	1 1/2" NPT 6.000"	
2	GE 1.5B 15-4	1B0469S	2" NPT	1 1/2" NPT 6.500"	
3	GE 1.5B 20-4	1B0470S	2" NPT	1 1/2" NPT 7.100"	
3	GU 1.5B	1B0187S	2" NPT	1 1/2" NPT 7.100"	

Motor Features			
Drive		Speed (rpm)	Frequency (Hz)
Electric		1800 (nominal)	60
Power (HP)	Phase	Voltage (V)	Frame
1	3	230/460	143JM
1.5	3	230/460	145JM
2	3	230/460	145JM
Frame Mounted			

Curva de rendimiento



GS Pumps

- GE 1.5C 100
- GE 1.5C 150
- GE 1.5C 200
- GE 1.5C 250
- GU 1.5C 2

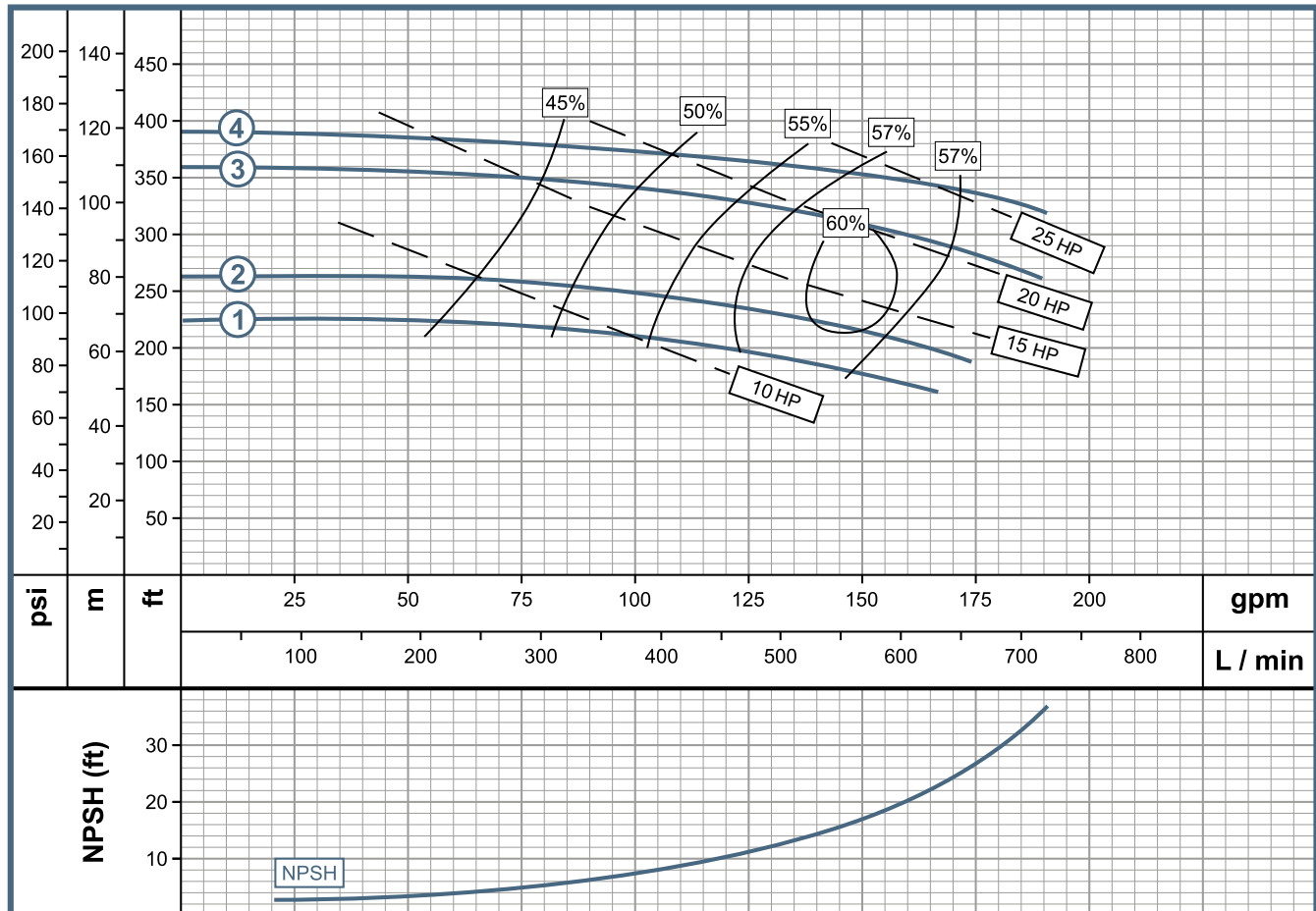


www.wdmpumps.com

Pump Features					
Pump Type	Design		Impeller		
End Suction	Close Coupled / Frame Mounted		Enclosed, Stainless Steel. *		
Stages	Mechanical Seal		Fluid Temperature Range		
1	1 1/4" T21 (1,2) / 1 3/4" T21 (3,4)		26.6°F to 225°F		
Model	Reference	Ø Suction	Ø Discharge	Ø Impeller	
1	GE 1.5C 100	1B0001S	2" NPT	1 1/2" NPT	7.500"
2	GE 1.5C 150	1B0002S	2" NPT	1 1/2" NPT	8.500"
3	GE 1.5C 200	1B0003S	2" NPT	1 1/2" NPT	9.000"
4	GE 1.5C 250	1B0004S	2" NPT	1 1/2" NPT	9.600"
4	GU 1.5C 2	1B0101S	2" NPT	1 1/2" NPT	9.600"

Motor Features			
Drive		Speed (rpm)	Frequency (Hz)
Electric		3600 (nominal)	60
Power (HP)	Phase	Voltage (V)	Frame
10	3	230/460	215JM
15	3	230/460	254JM
20	3	230/460	256JM
25	3	230/460	284JM
Frame Mounted			

Performance Curve

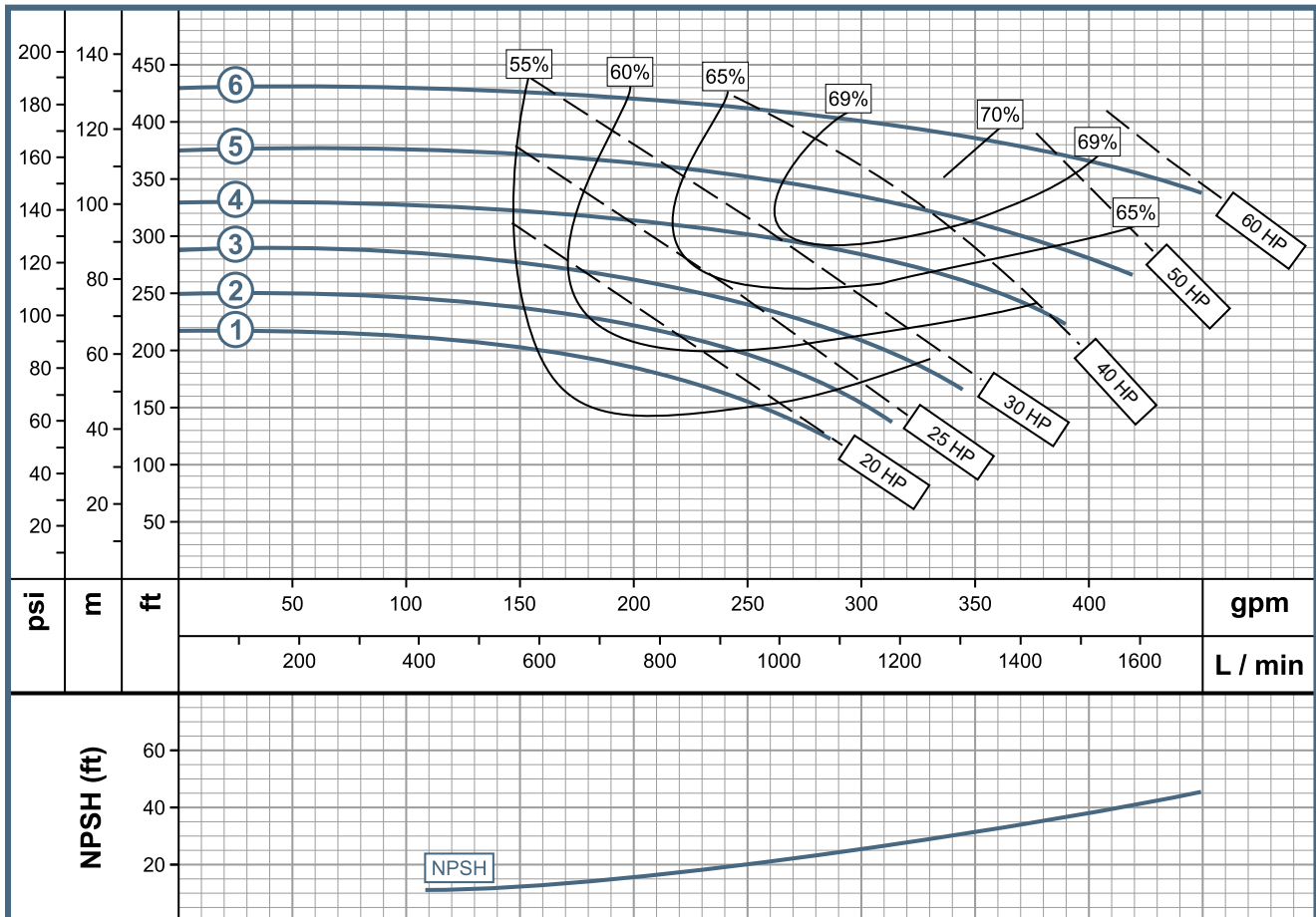


Pump Features					
Pump Type		Design		Impeller	
End Suction		Close Coupled / Frame Mounted		Enclosed, Stainless Steel. *	
Stages		Mechanical Seal		Fluid Temperature Range	
1		1 3/4" T21		26.6°F to 225°F	
Model	Reference	Ø Suction	Ø Discharge	Ø Impeller	
1	GE 1.5D 200	1B0005S	2" NPT	1 1/2" NPT 7.000"	
2	GE 1.5D 250	1B0006S	2" NPT	1 1/2" NPT 7.500"	
3	GE 1.5D 300	1B0007S	2" NPT	1 1/2" NPT 8.000"	
4	GE 1.5D 400	1B0008S	2" NPT	1 1/2" NPT 8.500"	
5	GE 1.5D 500	1B0009S	2" NPT	1 1/2" NPT 9.000"	
6	GE 1.5D 600	1B0010S	2" NPT	1 1/2" NPT 9.600"	
6	GU 1.5D 2	1B0103S	2" NPT	1 1/2" NPT 9.600"	

Motor Features			
Drive		Speed (rpm)	Frequency (Hz)
Electric		3600 (nominal)	60
Power (HP)	Phase	Voltage (V)	Frame
20	3	230/460	256JM
25	3	230/460	284JM
30	3	230/460	286JM
40	3	230/460	324JM
50	3	230/460	326JM
60	3	230/460	364JM

Frame Mounted

Performance Curve



TEFC Enclosure as standard configuration
 Technical features are subject to change without notice.

GS Pumps

- GE 2B 75
- GE 2B 100
- GE 2B 150
- GE 2B 200
- GE 2B 250
- GU 2B 2

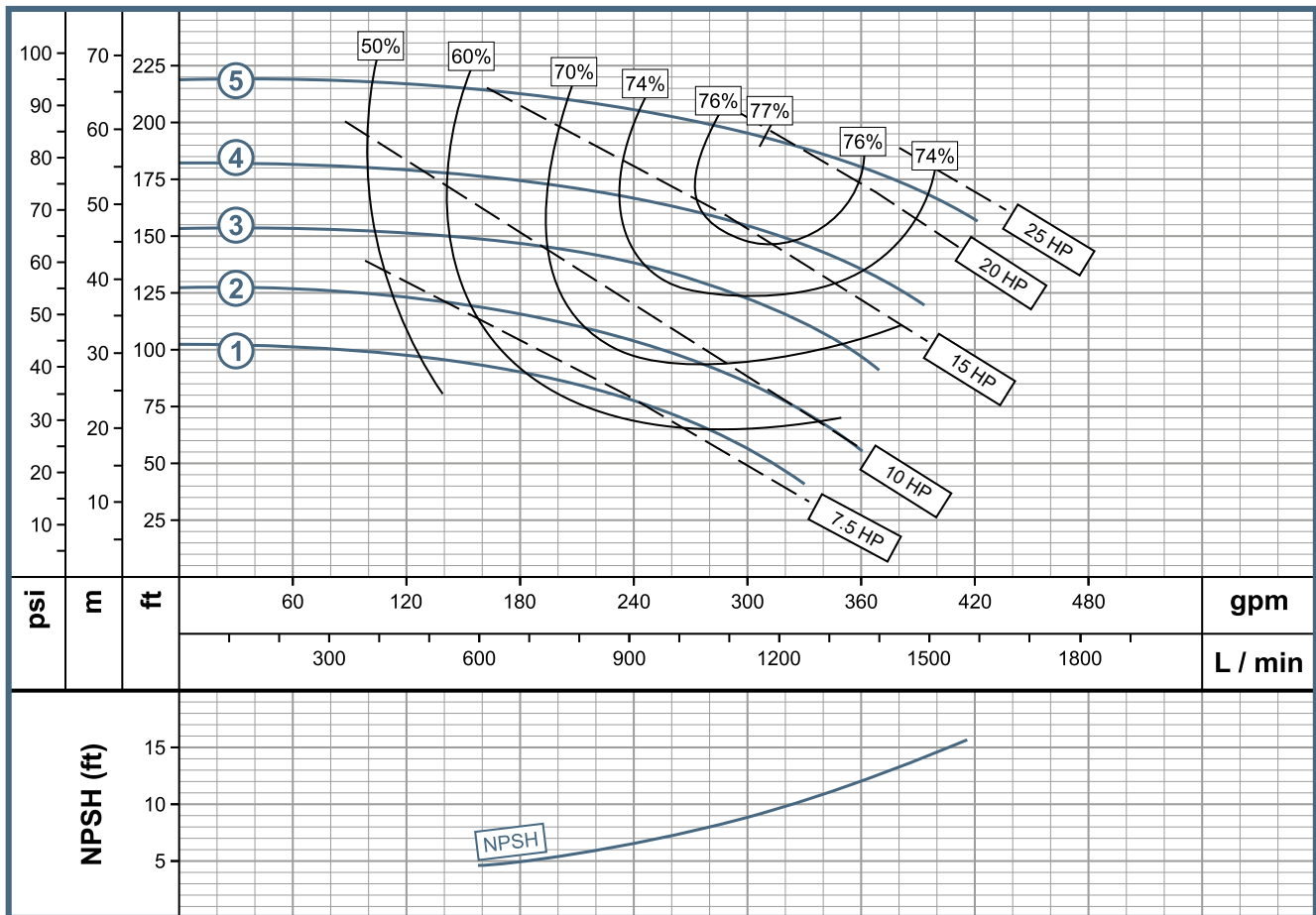


www.wdmpumps.com

Pump Features					
Pump Type		Design		Impeller	
End Suction		Close Coupled / Frame Mounted		Enclosed, Stainless Steel. *	
Stages		Mechanical Seal		Fluid Temperature Range	
1		1 1/4" T21 (1,2,3) / 1 3/4" T21 (4,5)		26.6°F to 225°F	
Model	Reference	Ø Suction	Ø Discharge	Ø Impeller	
1	GE 2B 75	1B0011S	2 1/2" NPT	2" NPT 5.000"	
2	GE 2B 100	1B0012S	2 1/2" NPT	2" NPT 5.500"	
3	GE 2B 150	1B0013S	2 1/2" NPT	2" NPT 6.000"	
4	GE 2B 200	1B0014S	2 1/2" NPT	2" NPT 6.500"	
5	GE 2B 250	1B0015S	2 1/2" NPT	2" NPT 7.100"	
5	GU 2B 2	1B0205S	2 1/2" NPT	2" NPT 7.100"	

Motor Features			
Drive		Speed (rpm)	Frequency (Hz)
Electric		3600 (nominal)	60
Power (HP)	Phase	Voltage (V)	Frame
7,5	3	230/460	213JM
10	3	230/460	215JM
15	3	230/460	254JM
20	3	230/460	256JM
25	3	230/460	284JM
Frame Mounted			

Performance Curve



TEFC Enclosure as standard configuration
 Technical features are subject to change without notice.



GS Pumps

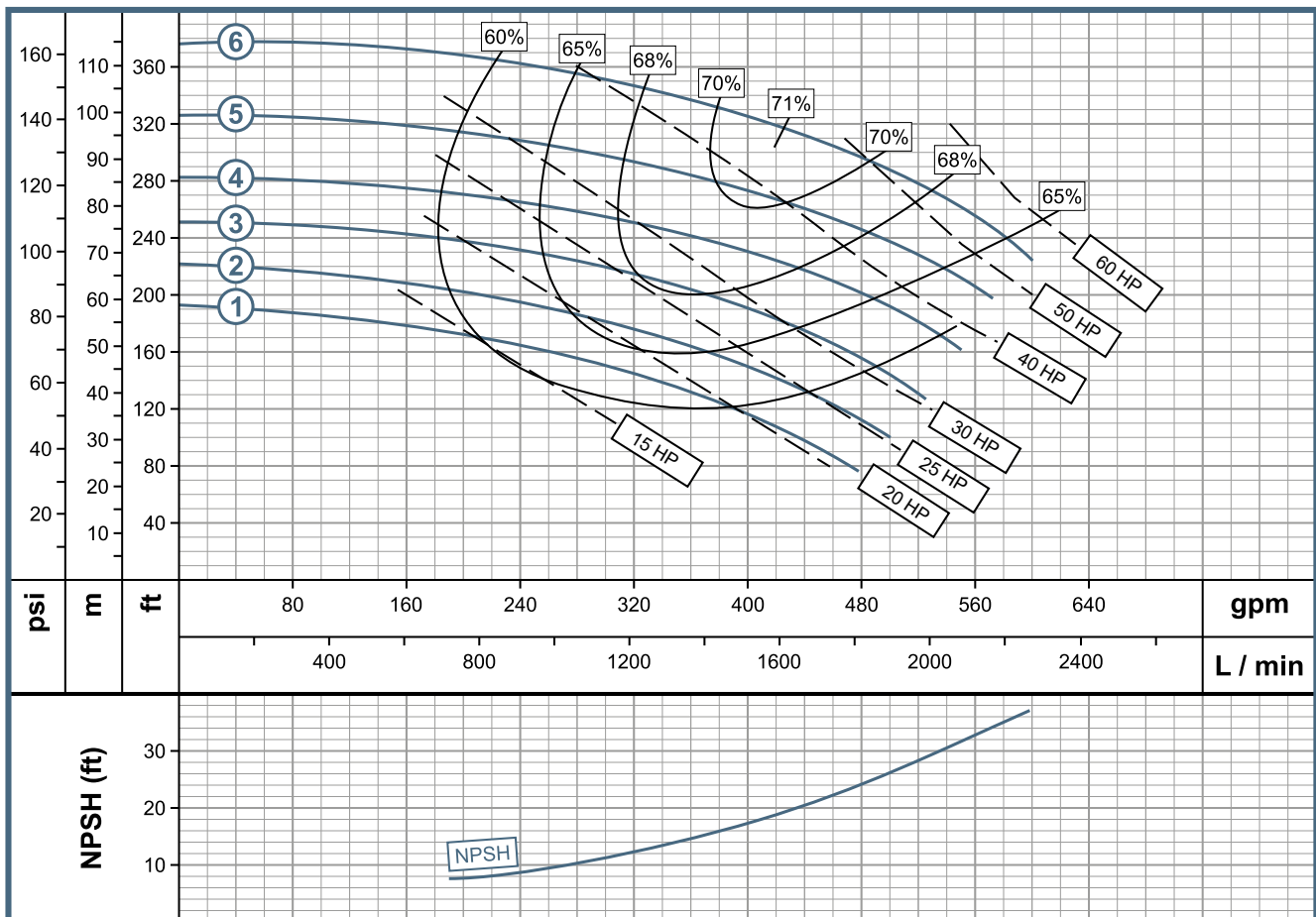
- GE 2C 200
- GE 2C 250
- GE 2C 300
- GE 2C 400
- GE 2C 500
- GE 2C 600
- GU 2C 2

www.wdmpumps.com

Pump Features					
Pump Type		Design		Impeller	
End Suction		Close Coupled		Enclosed, Stainless Steel. *	
Stages		Mechanical Seal		Fluid Temperature Range	
1		1 3/4" T21		26.6°F to 225°F	
Model	Reference	Ø Suction	Ø Discharge	Ø Impeller	
1	GE 2C 200	1B0016S	2 1/2" NPT	2" NPT 7.000"	
2	GE 2C 250	1B0017S	2 1/2" NPT	2" NPT 7.500"	
3	GE 2C 300	1B0018S	2 1/2" NPT	2" NPT 8.000"	
4	GE 2C 400	1B0019S	2 1/2" NPT	2" NPT 8.500"	
5	GE 2C 500	1B0020S	2 1/2" NPT	2" NPT 9.000"	
6	GE 2C 600	1B0021S	2 1/2" NPT	2" NPT 9.600"	
6	GU 2C 2	1B0107S	2 1/2" NPT	2" NPT 9.600"	

Motor Features			
Drive		Speed (rpm)	Frequency (Hz)
Electric		3,600 (nominal)	60
Power (HP)	Phase	Voltage (V)	Frame
20,0	3	230/460	256JM
25	3	230/460	284JM
30	3	230/460	286JM
40	3	230/460	324JM
50	3	230/460	326JM
60	3	230/460	364JM
Frame Mounted			

Performance Curve



TEFC Enclosure as standard configuration
 Technical features are subject to change without notice.

GS Pumps

- GE 2.5B 75
- GE 2.5B 100
- GE 2.5B 150
- GE 2.5B 200
- GE 2.5B 250
- GE 2.5B 300
- GU 2.5B 2

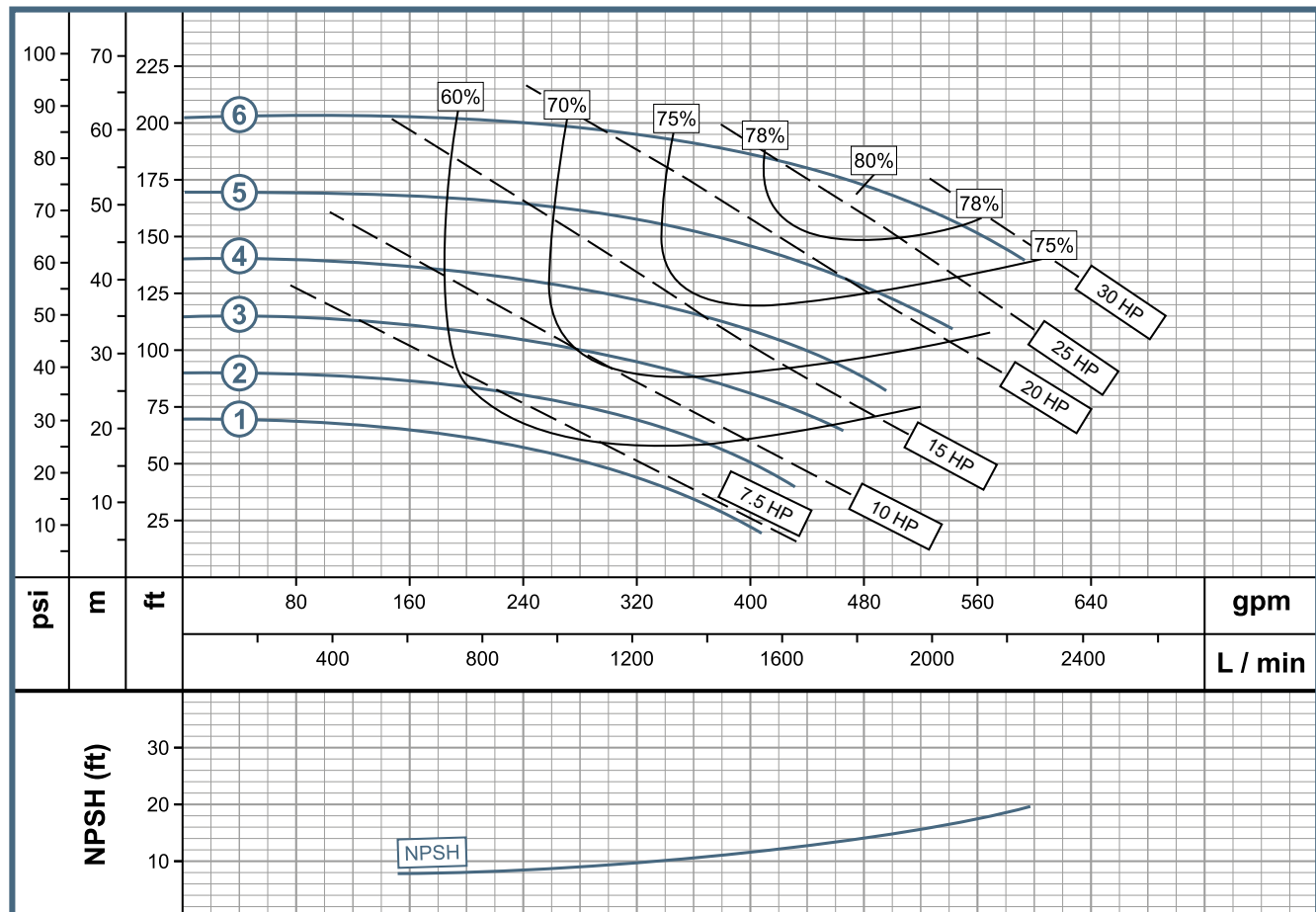


www.wdmpumps.com

Pump Features					
Pump Type		Design		Impeller	
End Suction		Close Coupled / Frame Mounted		Enclosed, Stainless Steel. *	
Stages		Mechanical Seal		Fluid Temperature Range	
1		1 1/4" T21 (1,2,3) / 1 3/4" T21 (4,5,6)		26.6°F to 225°F	
Model	Reference	Ø Suction	Ø Discharge	Ø Impeller	
1	GE 2.5B 75	1B0022S	3" F	2 1/2" F 4.500"	
2	GE 2.5B 100	1B0023S	3" F	2 1/2" F 5.000"	
3	GE 2.5B 150	1B0024S	3" F	2 1/2" F 5.500"	
4	GE 2.5B 200	1B0025S	3" F	2 1/2" F 6.000"	
5	GE 2.5B 250	1B0026S	3" F	2 1/2" F 6.500"	
6	GE 2.5B 300	1B0027S	3" F	2 1/2" F 7.100"	
6	GU 2.5B 2	1B0109S	3" F	2 1/2" F 7.100"	

Motor Features			
Drive		Speed (rpm)	Frequency (Hz)
Electric		3600 (nominal)	60
Power (HP)	Phase	Voltage (V)	Frame
7,5	3	230/460	213JM
10	3	230/460	215JM
15	3	230/460	254JM
20	3	230/460	256JM
25	3	230/460	284JM
30	3	230/460	286JM
Frame Mounted			

Performance Curve

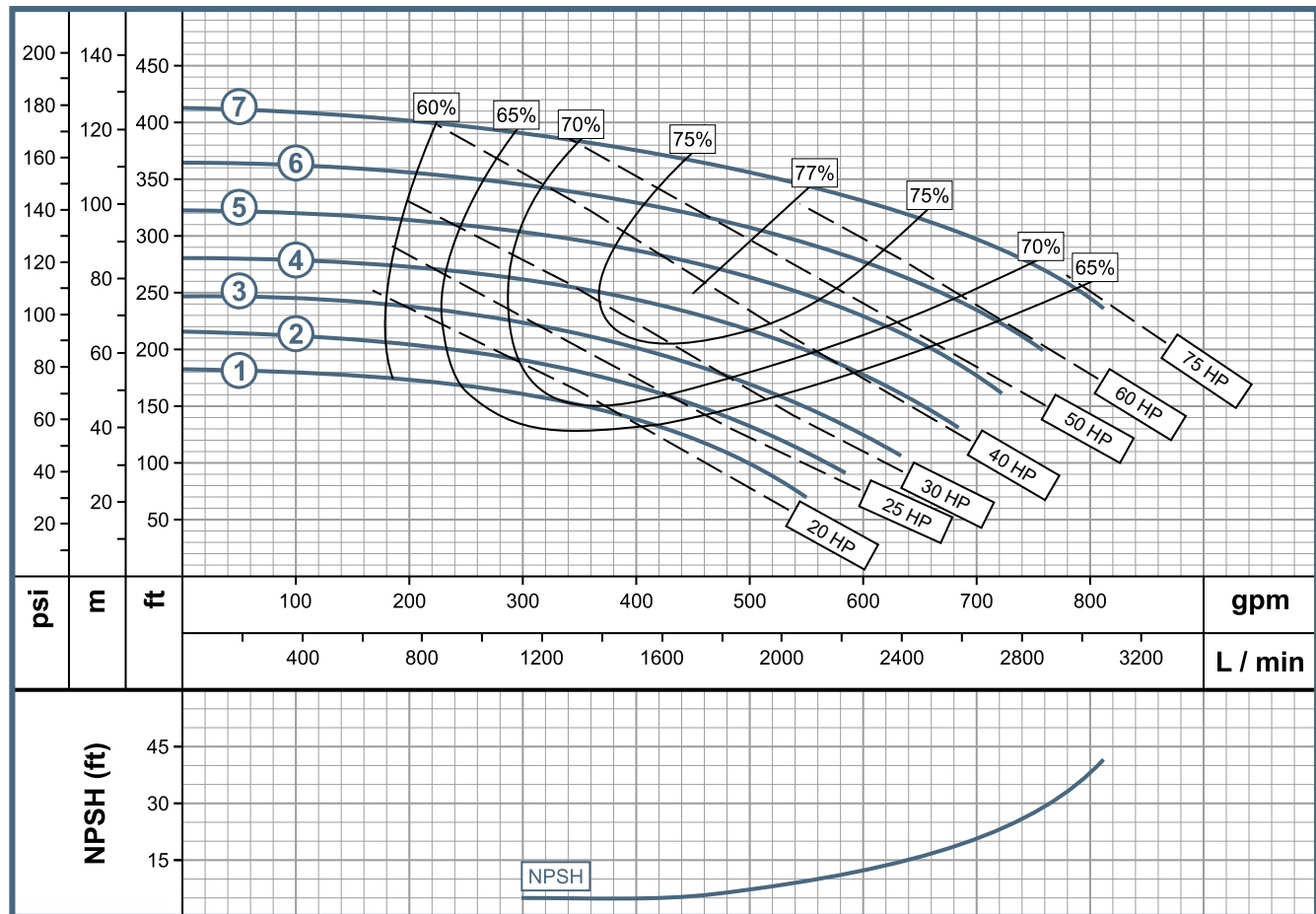


TEFC Enclosure as standard configuration
 Technical features are subject to change without notice.

Pump Features					
Pump Type		Design		Impeller	
End Suction		Close Coupled / Frame Mounted		Enclosed, Stainless Steel. *	
Stages		Mechanical Seal		Fluid Temperature Range	
1		1 3/4" T21		26.6°F to 225°F	
Model	Reference	Ø Suction	Ø Discharge	Ø Impeller	
1	GE 2.5C 200	1B0028S	3" F	2 1/2" F 6.500"	
2	GE 2.5C 250	1B0029S	3" F	2 1/2" F 6.500"	
3	GE 2.5C 300	1B0030S	3" F	2 1/2" F 6.500"	
4	GE 2.5C 400	1B0031S	3" F	2 1/2" F 6.500"	
5	GE 2.5C 500	1B0032S	3" F	2 1/2" F 8.500"	
6	GE 2.5C 600	1B0033S	3" F	2 1/2" F 9.000"	
7	GE 2.5C 750	1B0034S	3" F	2 1/2" F 9.600"	
7	GU 2.5 C2	1B0111S	3" F	2 1/2" F 9.600"	

Motor Features			
Drive		Speed (rpm)	Frequency (Hz)
Electric		3600 (nominal)	60
Power (HP)	Phase	Voltage (V)	Frame
20,0	3	230/460	256JM
25	3	230/460	284JM
30	3	230/460	286JM
40	3	230/460	324JM
50	3	230/460	326JM
60	3	230/460	364JM
75	3	230/460	365JM
Frame Mounted			

Performance Curve



TEFC Enclosure as standard configuration
 Technical features are subject to change without notice.

GS Pumps

- GE 3B 100
- GE 3B 150
- GE 3B 200
- GE 3B 250
- GE 3B 300
- GE 3B 400
- GU 3B 2

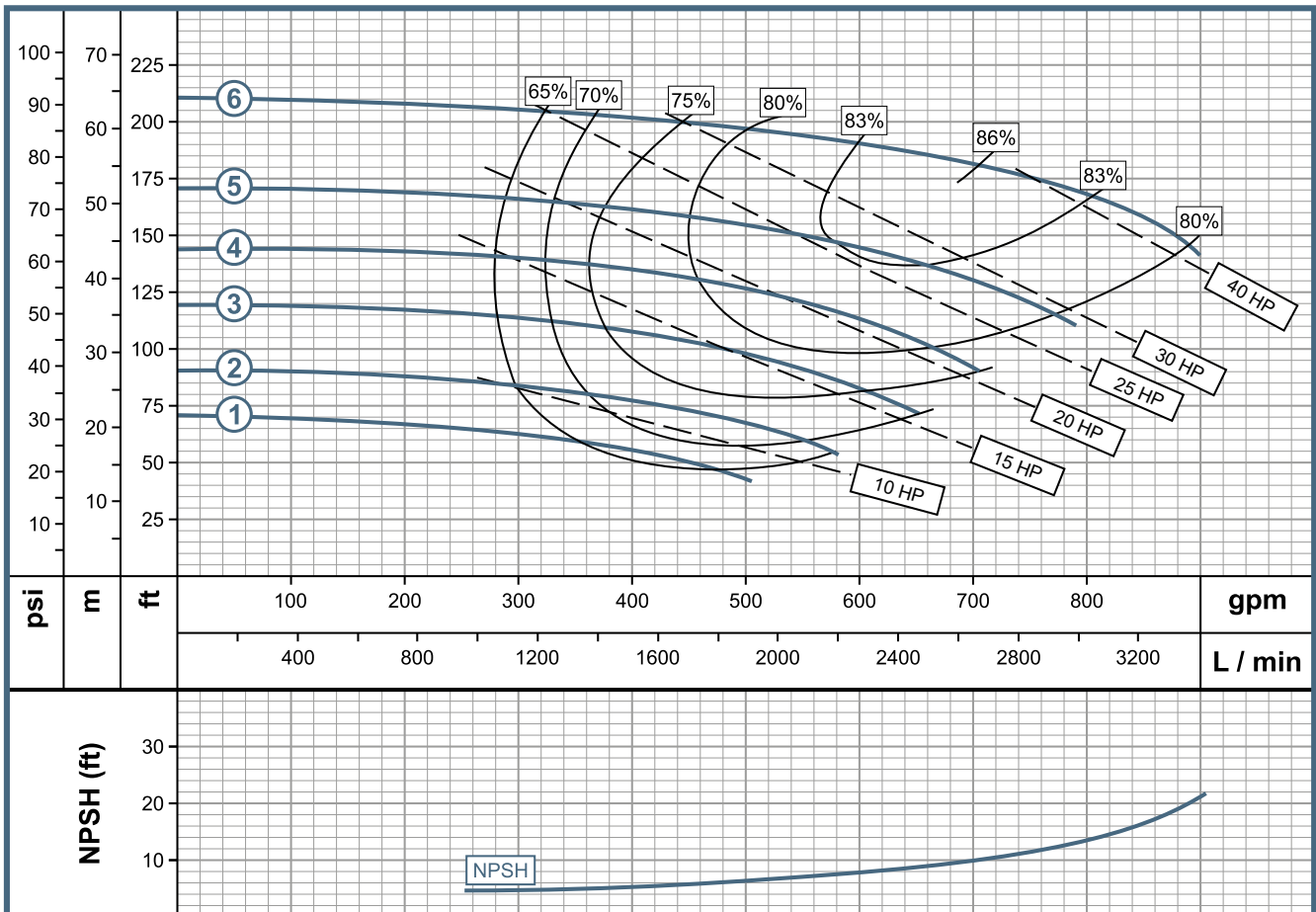


www.wdmpumps.com

Pump Features					
Pump Type		Design		Impeller	
End Suction		Close Coupled / Frame Mounted		Enclosed, Stainless Steel. *	
Stages		Mechanical Seal		Fluid Temperature Range	
1		1 1/4" T21 (1,2) / 1 3/4" T21 (3,4,5,6)		26.6°F to 225°F	
Model	Reference	Ø Suction	Ø Discharge	Ø Impeller	
1	GE 3B 100	1B0035S	4" F	3" F	4.500"
2	GE 3B 150	1B0036S	4" F	3" F	5.000"
3	GE 3B 200	1B0037S	4" F	3" F	5.500"
4	GE 3B 250	1B0038S	4" F	3" F	6.000"
5	GE 3B 300	1B0039S	4" F	3" F	6.500"
6	GE 3B 400	1B0040S	4" F	3" F	7.100"
6	GU 3B 2	1B0113S	4" F	3" F	7.100"

Motor Features			
Drive		Speed (rpm)	Frequency (Hz)
Electric		3600 (nominal)	60
Power (HP)	Phase	Voltage (V)	Frame
10	3	230/460	215JM
15	3	230/460	254JM
20	3	230/460	256JM
25	3	230/460	284JM
30	3	230/460	286JM
40	3	230/460	324JM
Frame Mounted			

Performance Curve





GS Pumps

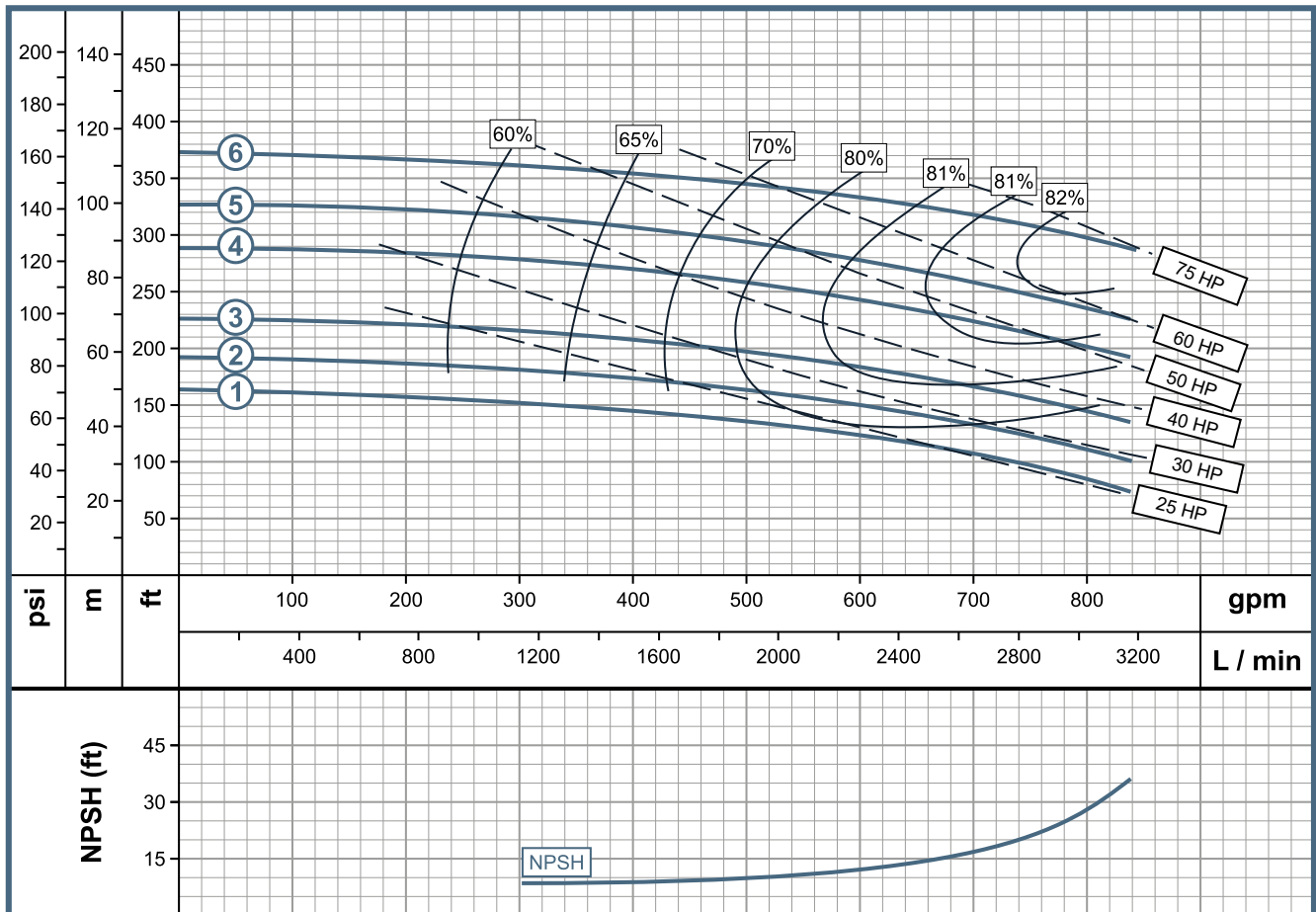
- GE 3C 250
- GE 3C 300
- GE 3C 400
- GE 3C 500
- GE 3C 600
- GE 3C 750
- GU 3C 2

www.wdmpumps.com

Pump Features					
Pump Type		Design		Impeller	
End Suction		Close Coupled / Frame Mounted		Enclosed, Stainless Steel. *	
Stages		Mechanical Seal		Fluid Temperature Range	
1		1 3/4" T21		26.6°F to 225°F	
Model	Reference	Ø Suction	Ø Discharge	Ø Impeller	
1	GE 3C 250	1B0041S	4" F	3" F	6.500"
2	GE 3C 300	1B0042S	4" F	3" F	6.900"
3	GE 3C 400	1B0043S	4" F	3" F	7.500"
4	GE 3C 500	1B0044S	4" F	3" F	8.500"
5	GE 3C 600	1B0045S	4" F	3" F	9.000"
6	GE 3C 750	1B0046S	4" F	3" F	9.600"
6	GU 3C 2	1B0115S	4" F	3" F	9.600"

Motor Features			
Drive		Speed (rpm)	Frequency (Hz)
Electric		3600 (nominal)	60
Power (HP)	Phase	Voltage (V)	Frame
25	3	230/460	284JM
30	3	230/460	286JM
40	3	230/460	324JM
50	3	230/460	326JM
60	3	230/460	364JM
75	3	230/460	365JM
Frame Mounted			

Performance Curve



TEFC Enclosure as standard configuration
 Technical features are subject to change without notice.

GS Pumps

GE 3H 750
GE 3H 1000
GE 3H 1250

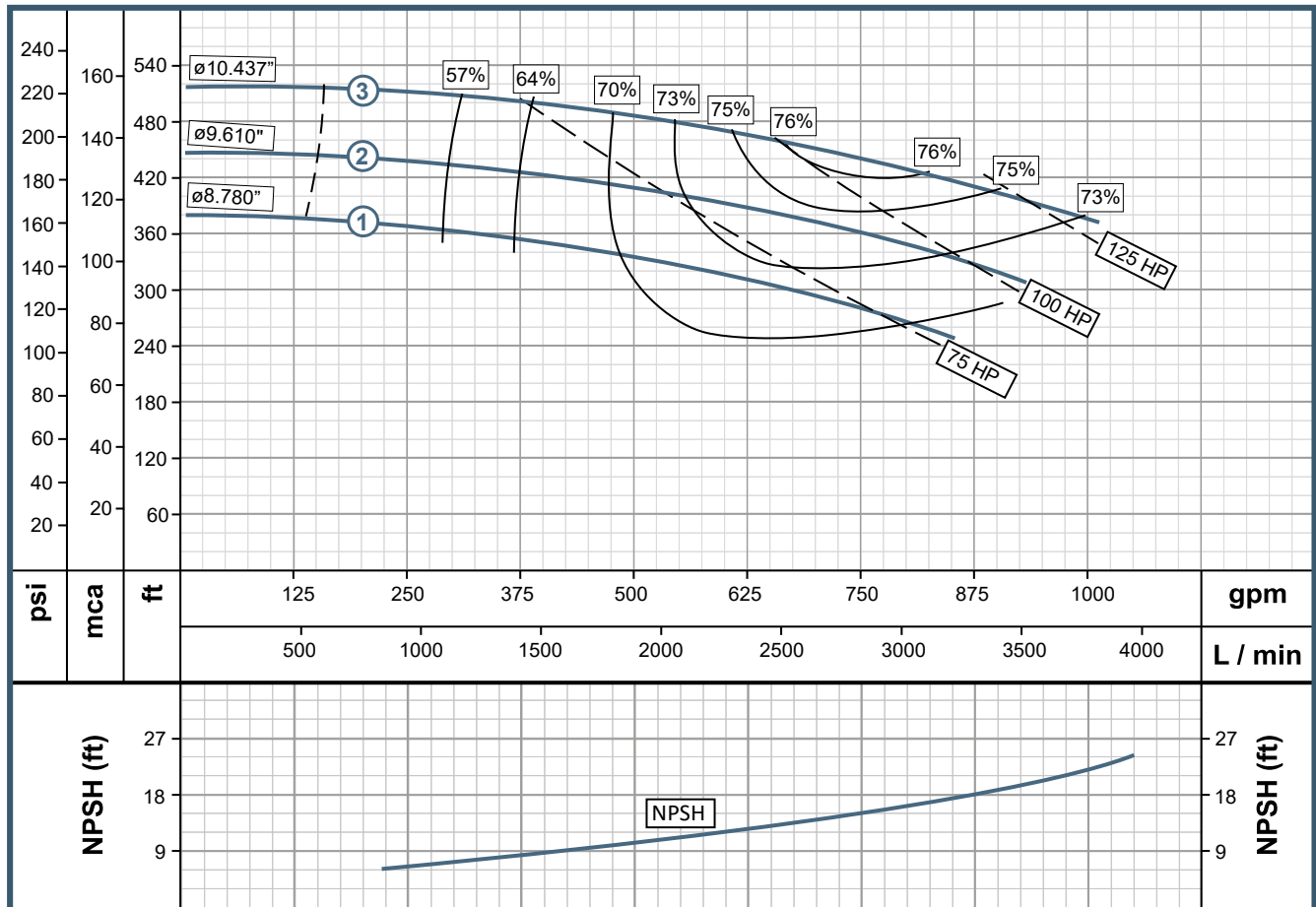


www.wdmpumps.com

Pump Features					
Pump Type		Design	Impeller		
End Suction		Close Coupled	Enclosed, Cast Iron. *		
Stages		Mechanical Seal	Fluid Temperature Range		
1		1 3/4" T21 (1) / 2" T21 (2)	26.6°F to 225°F		
Model	Reference	Ø Suction	Ø Discharge	Ø Impeller	
1	GE 3H 750	1B0144S	5" F	3" F	8.780"
2	GE 3H 1000	1B0145S	5" F	3" F	9.610"
3	GE 3H 1250	1B0146S	5" F	3" F	10.437"

Motor Features			
Drive	Speed (rpm)	Frequency (Hz)	
Electric	3600 (nominal)	60	
Power (HP)	Phase	Voltage (V)	Frame
75	3	230/460	365JM
100	3	230/460	405JP
125	3	230/460	444JP

Performance Curve

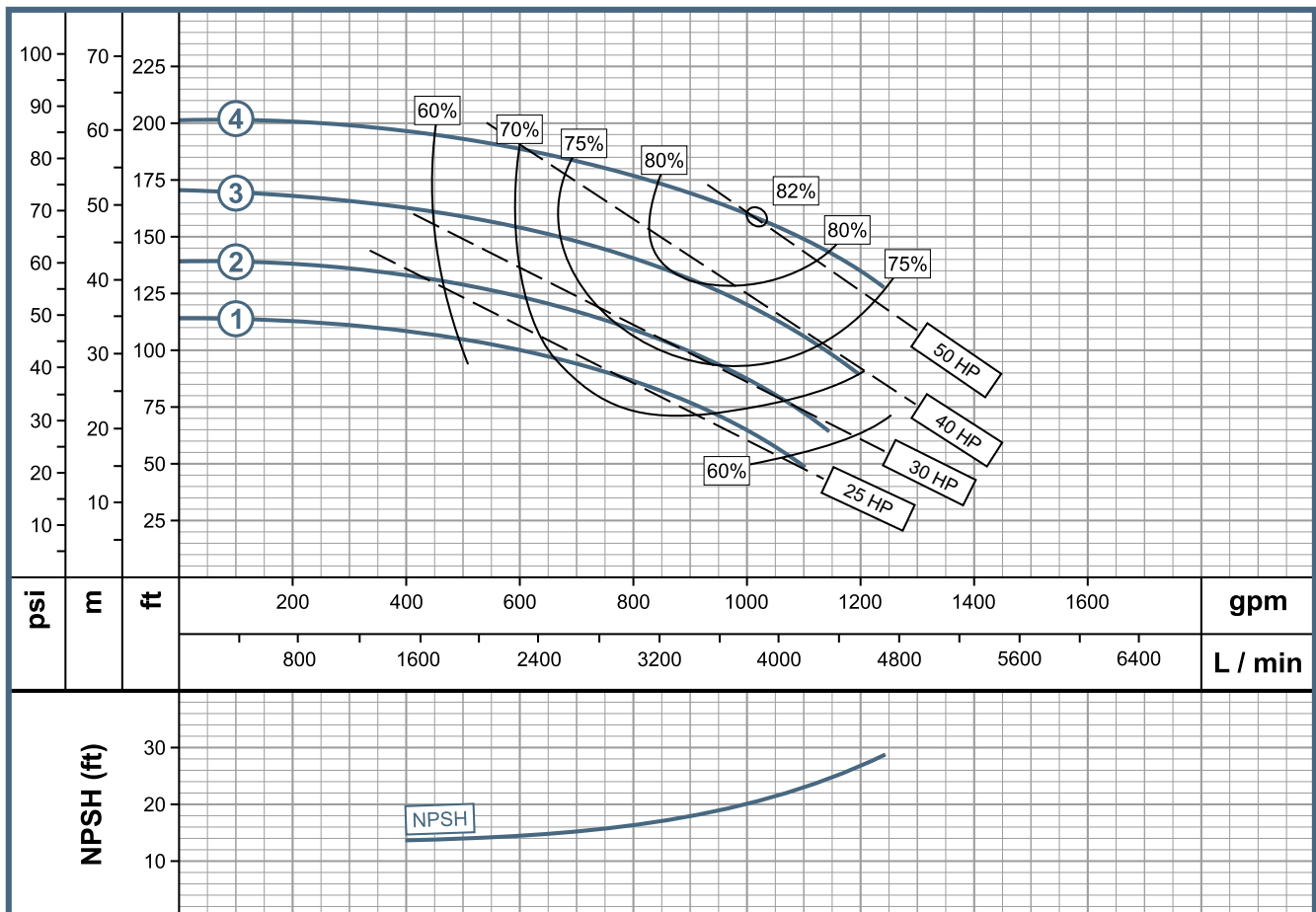


*Other materials please contact factory.
TEFC Enclosure as standard configuration.
Technical features are subject to change without notice.

Pump Features					
Pump Type		Design		Impeller	
End Suction		Close Coupled / Frame Mounted		Enclosed, Stainless Steel. *	
Stages		Mechanical Seal		Fluid Temperature Range	
1		1 3/4" T21		26.6°F to 225°F	
Model	Reference	Ø Suction	Ø Discharge	Ø Impeller	
1	GE 4B 250	1B0047S	5" F	4" F	5.760"
2	GE 4B 300	1B0048S	5" F	4" F	6.100"
3	GE 4B 400	1B0049S	5" F	4" F	6.500"
4	GE 4B 500	1B0050S	5" F	4" F	7.100"
4	GU 4B 2	1B0120S	5" F	4" F	7.100"

Motor Features			
Drive		Speed (rpm)	Frequency (Hz)
Electric		3600 (nominal)	60
Power (HP)	Phase	Voltage (V)	Frame
25	3	230/460	284JM
30	3	230/460	286JM
40	3	230/460	324JM
50	3	230/460	326JM
Frame Mounted			

Performance Curve



GS Pumps

- GE 4C 500
- GE 4C 600
- GE 4C 750
- GE 4C 1000
- GE 4C 1250
- GU C 2

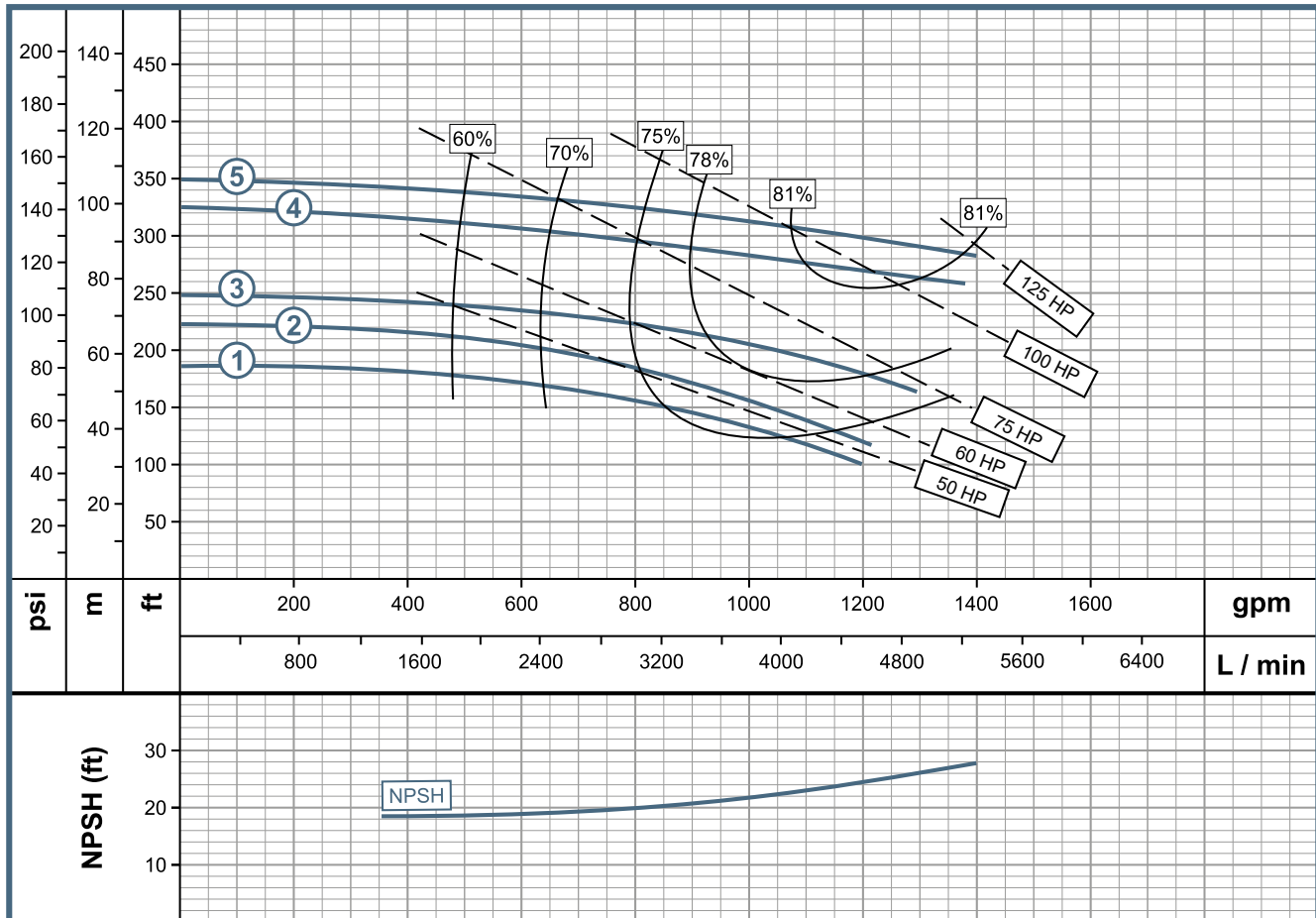


www.wdmpumps.com

Pump Features					
Pump Type		Design		Impeller	
End Suction		Close Coupled / Frame Mounted		Enclosed, Stainless Steel. *	
Stages		Mechanical Seal		Fluid Temperature Range	
1		1 3/4" T21 (1,2,3) / 2" T21 (4,5)		26.6°F to 225°F	
Model	Reference	Ø Suction	Ø Discharge	Ø Impeller	
1	GE 4C 500	1B0051S	5" F	4" F	7.000"
2	GE 4C 600	1B0137S	5" F	4" F	7.500"
3	GE 4C 750	1B0052S	5" F	4" F	8.000"
4	GE 4C 1000	1B0053S	5" F	4" F	9.000"
5	GE 4C 1250	1B0054S	5" F	4" F	9.300"
5	GU 4C 2	1B0117S	5" F	4" F	9.300"

Motor Features			
Drive		Speed (rpm)	Frequency (Hz)
Electric		3600 (nominal)	60
Power (HP)	Phase	Voltage (V)	Frame
50	3	230/460	326JM
60	3	230/460	364JM
75	3	230/460	365JM
100	3	230/460	405JP
125	3	230/460	404JP
Frame Mounted			

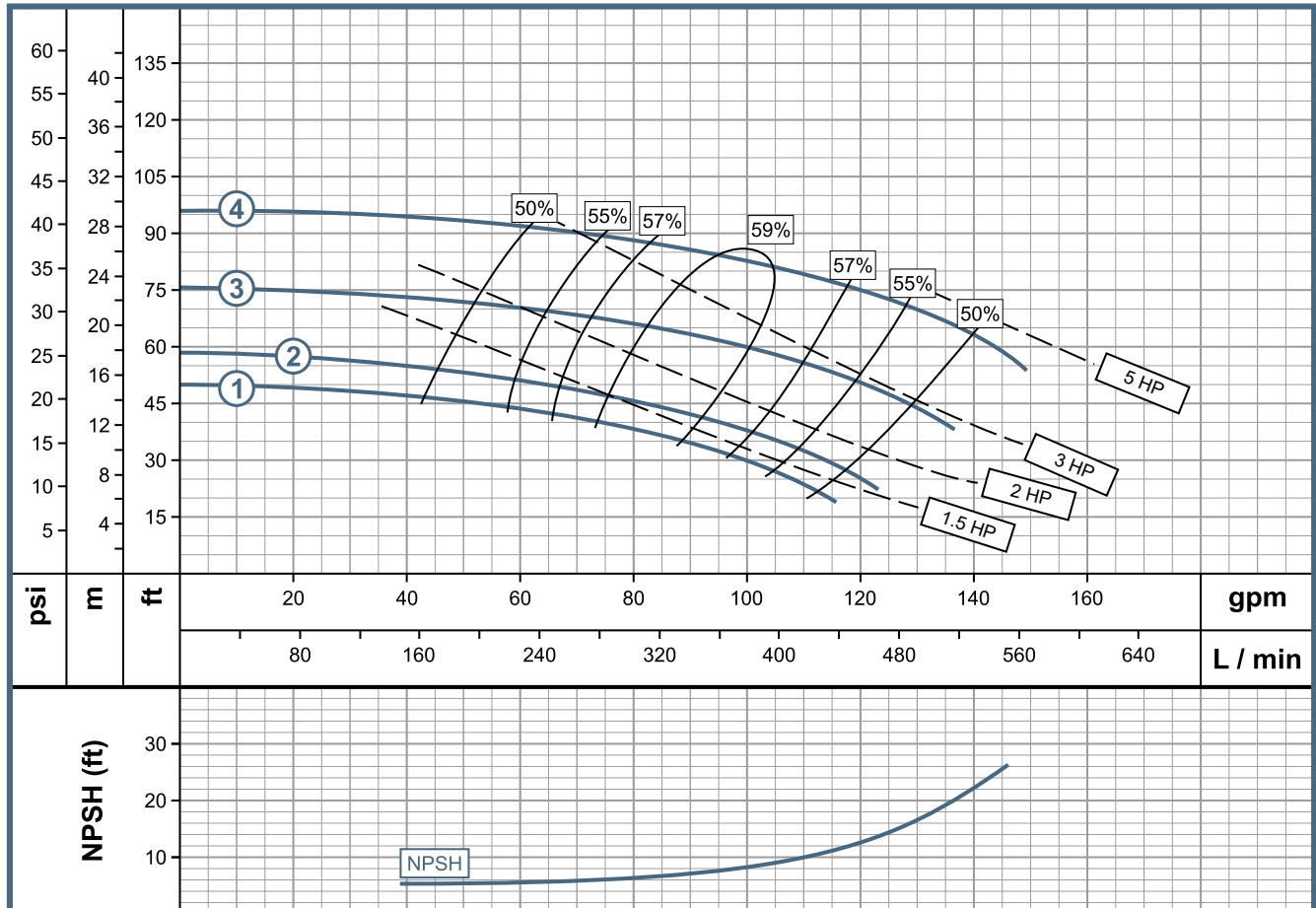
Performance Curve



Pump Features					
Pump Type		Design		Impeller	
End Suction		Close Coupled / Frame Mounted		Enclosed, Stainless Steel. *	
Stages		Mechanical Seal		Fluid Temperature Range	
1		1 1/4" T12		26.6°F to 225°F	
Model	Reference	Ø Suction	Ø Discharge	Ø Impeller	
1	GE 1.5C 15-4	1B0237S	2" NPT	1 1/2" NPT 6.500"	
2	GE 1.5C 20-4	1B0238S	2" NPT	1 1/2" NPT 7.500"	
3	GE 1.5C 30-4	1B0239S	2" NPT	1 1/2" NPT 8.500"	
4	GE 1.5C 50-4	1B0240S	2" NPT	1 1/2" NPT 9.600"	
4	GU 1.5C1	1B0100S	2" NPT	2 1/2" NPT 9.600"	

Motor Features			
Drive		Speed (rpm)	Frequency (Hz)
Electric		1800 (nominal)	60
Power (HP)	Phase	Voltage (V)	Frame
1.5	3	230/460	145JM
2	3	230/460	145JM
3	3	230/460	182JM
5	3	230/460	184JM
Frame Mounted			

Performance Curve



GS Pumps

- GE 1.5D 20-4
- GE 1.5D 30-4
- GE 1.5D 50-4
- GE 1.5D 75-4
- GU 1.5D 1

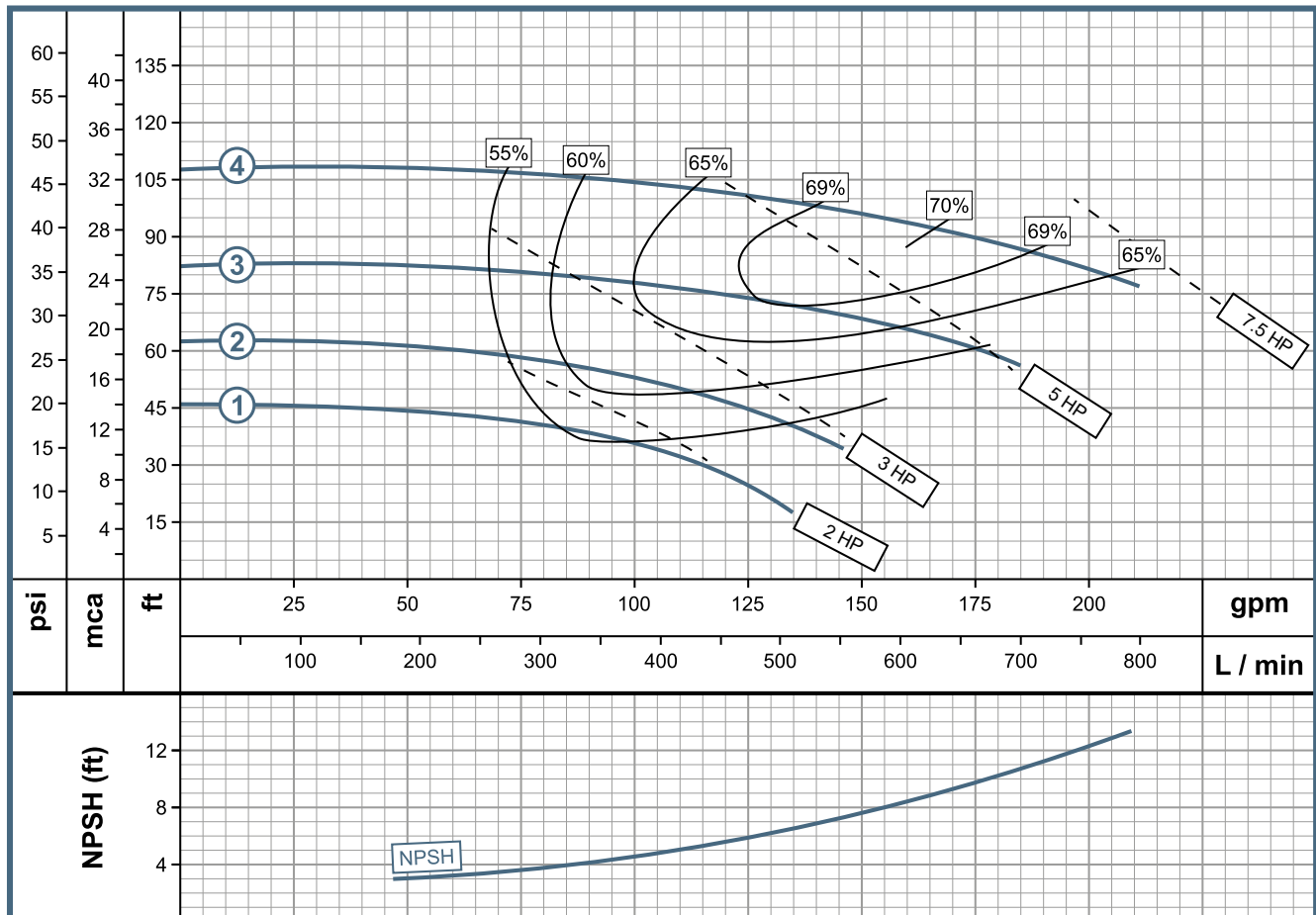


www.wdmpumps.com

Pump Features					
Pump Type		Design		Impeller	
End Suction		Close Coupled / Frame Mounted		Enclosed, Stainless Steel. *	
Stages		Mechanical Seal		Fluid Temperature Range	
1		1 1/4" T21		26.6°F to 225°F	
Model	Reference	Ø Suction	Ø Discharge	Ø Impeller	
1	GE 1.5D 20-4	1B0201S	2" NPT	1 1/2" NPT 500"	
2	GE 1.5D 30-4	1B0202S	2" NPT	1 1/2" NPT 7.500"	
3	GE 1.5D 50-4	1B0203S	2" NPT	1 1/2" NPT 8.500"	
4	GE 1.5D 75-4	1B0204S	2" NPT	1 1/2" NPT 9.600"	
4	GU 1.5D 1	1B0102S	2" NPT	2 1/2" NPT 9.600"	

Motor Features			
Drive		Speed (rpm)	Frequency (Hz)
Electric		1800 (nominal)	60
Power (HP)	Phase	Voltage (V)	Frame
2	3	230/460	145JM
3	3	230/460	182JM
5	3	230/460	184JM
7,5	3	230/460	213JM
Frame Mounted			

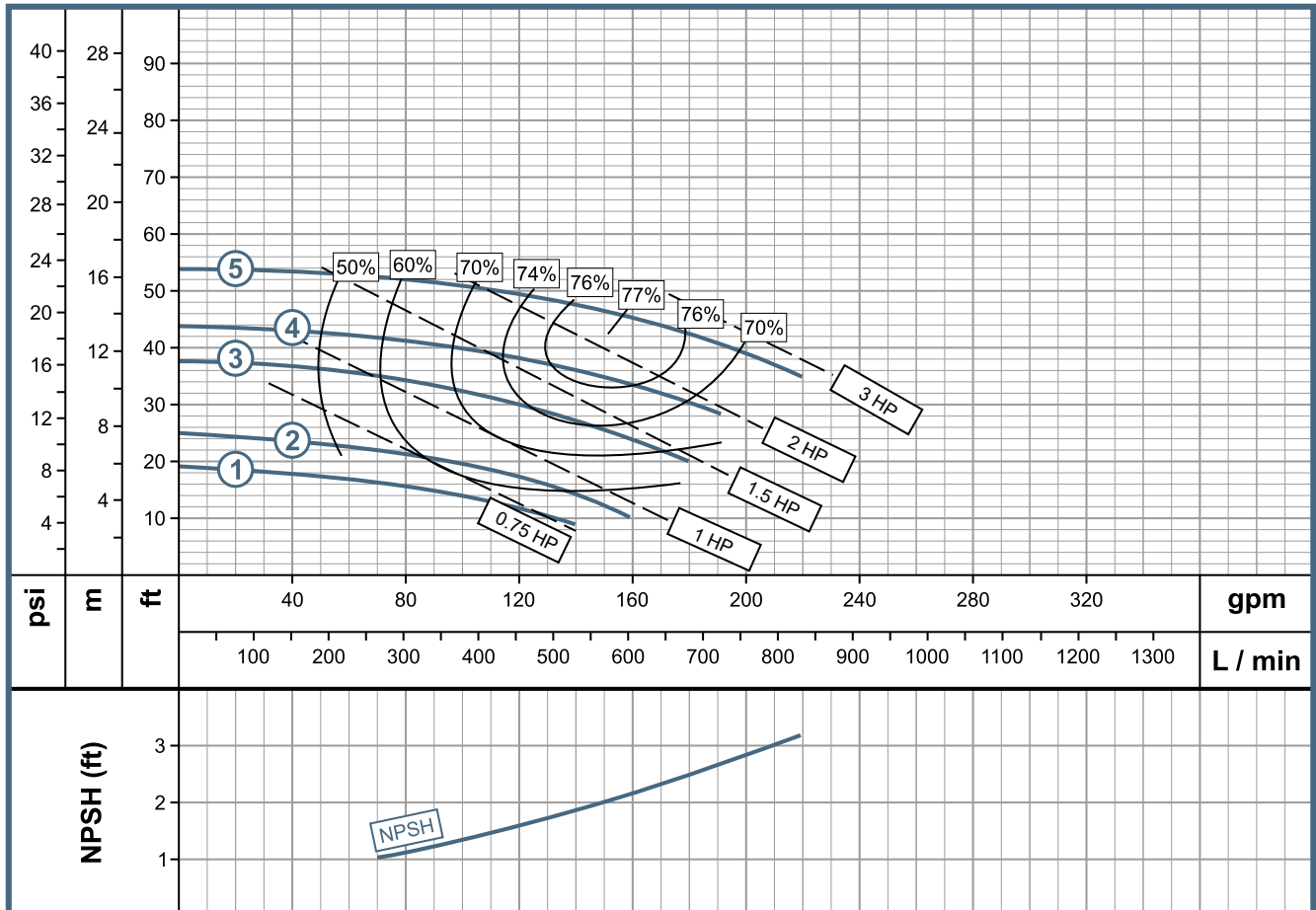
Performance Curve



Pump Features					
Pump Type		Design		Impeller	
End Suction		Close Coupled / Frame Mounted		Enclosed, Stainless Steel. *	
Stages		Mechanical Seal		Fluid Temperature Range	
1		1 1/4" T12		26.6°F to 225°F	
Model	Reference	Ø Suction	Ø Discharge	Ø Impeller	
1	GE 2B 7-4	1B0220S	2 1/2" NPT	2" NPT 4.500"	
2	GE 2B 10-4	1B0221S	2 1/2" NPT	2" NPT 5.000"	
3	GE 2B 15-4	1B0222S	2 1/2" NPT	2" NPT 6.000"	
4	GE 2B 20-4	1B0223S	2 1/2" NPT	2" NPT 6.500"	
5	GE 2B 30-4	1B0224S	2 1/2" NPT	2" NPT 7.100"	
5	GU 2B 1	1B0104S	3 1/2" NPT	2" NPT 7.100"	

Motor Features			
Drive		Speed (rpm)	Frequency (Hz)
Electric		1800 (nominal)	60
Power (HP)	Phases	Voltage (V)	Frame
0,75	3	230/460	56J
1	3	230/460	143JM
1,5	3	230/460	145JM
2	3	230/460	145JM
3	3	230/460	182JM
Frame Mounted			

Performance Curve



TEFC Enclosure as standard configuration
 Technical features are subject to change without notice.

GS Pumps

- GE 2C 20-4
- GE 2C 30-4
- GE 2C 50-4
- GE 2C 75-4
- GU 2B 1

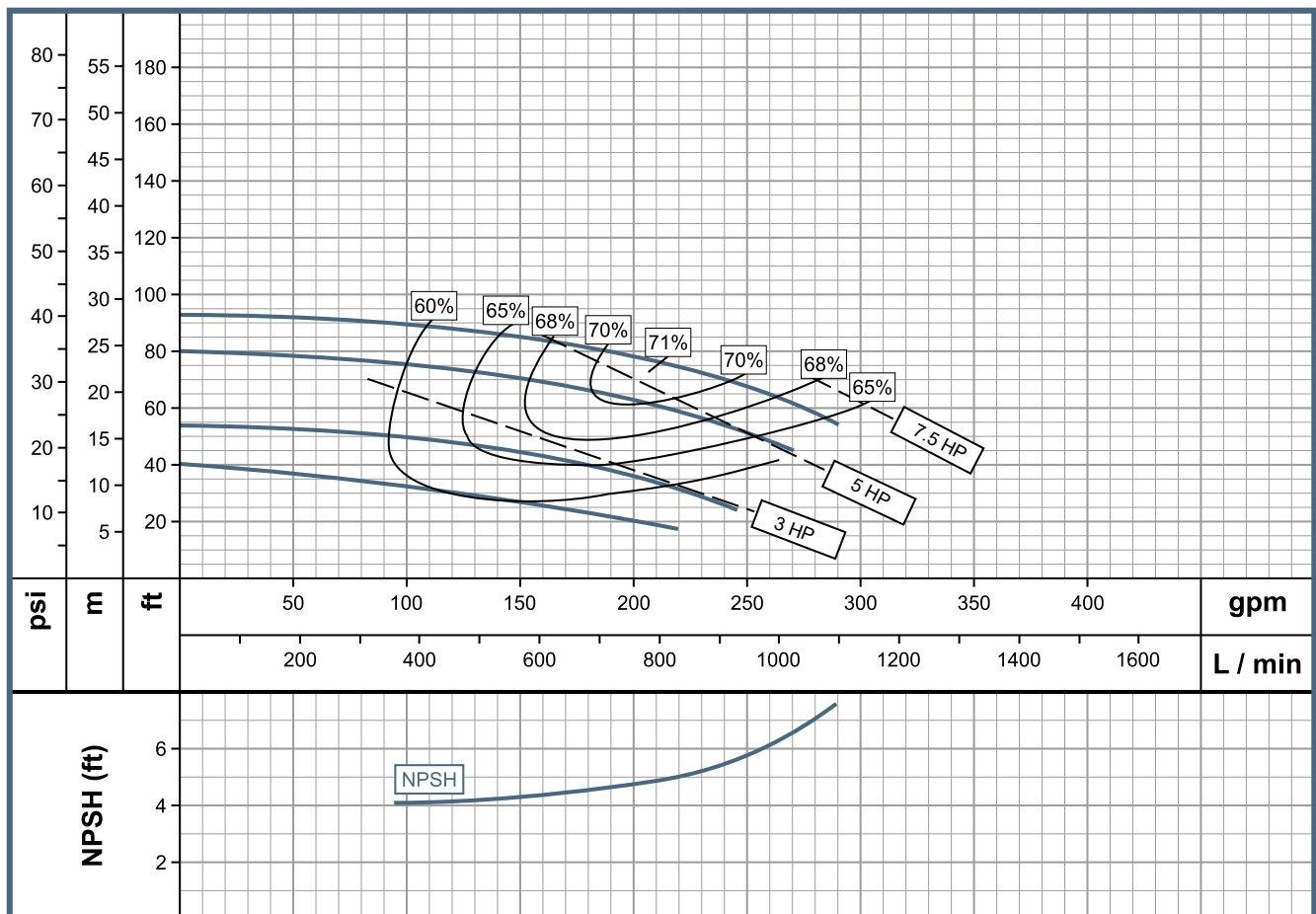


www.wdmpumps.com

Pump Features					
Pump Type		Design		Impeller	
End Suction		Close Coupled / Frame Mounted		Enclosed, Stainless Steel. *	
Stages		Mechanical Seal		Fluid Temperature Range	
1		1 1/4" T12		26.6°F to 225°F	
Model	Reference	Ø Suction	Ø Discharge	Ø Impeller	
1	GE 2C 20-4	1B0241S	2 1/2" NPT	2" NPT 6.500"	
2	GE 2C 30-4	1B0242S	2 1/2" NPT	2" NPT 7.500"	
3	GE 2C 50-4	1B0243S	2 1/2" NPT	2" NPT 9.000"	
4	GE 2C 75-4	1B0244S	2 1/2" NPT	2" NPT 9.600"	
4	GU 2C 1	1B0106S	2 1/2" NPT	2" NPT 9.600"	

Motor features			
Drive		Speed (rpm)	Frequency (Hz)
Electric		1800 (nominal)	60
Power (HP)	Phase	Voltage (V)	Frame
2	3	230/460	145JM
3	3	230/460	182JM
5	3	230/460	184JM
7.5	3	230/460	213JM
Frame Mounted			

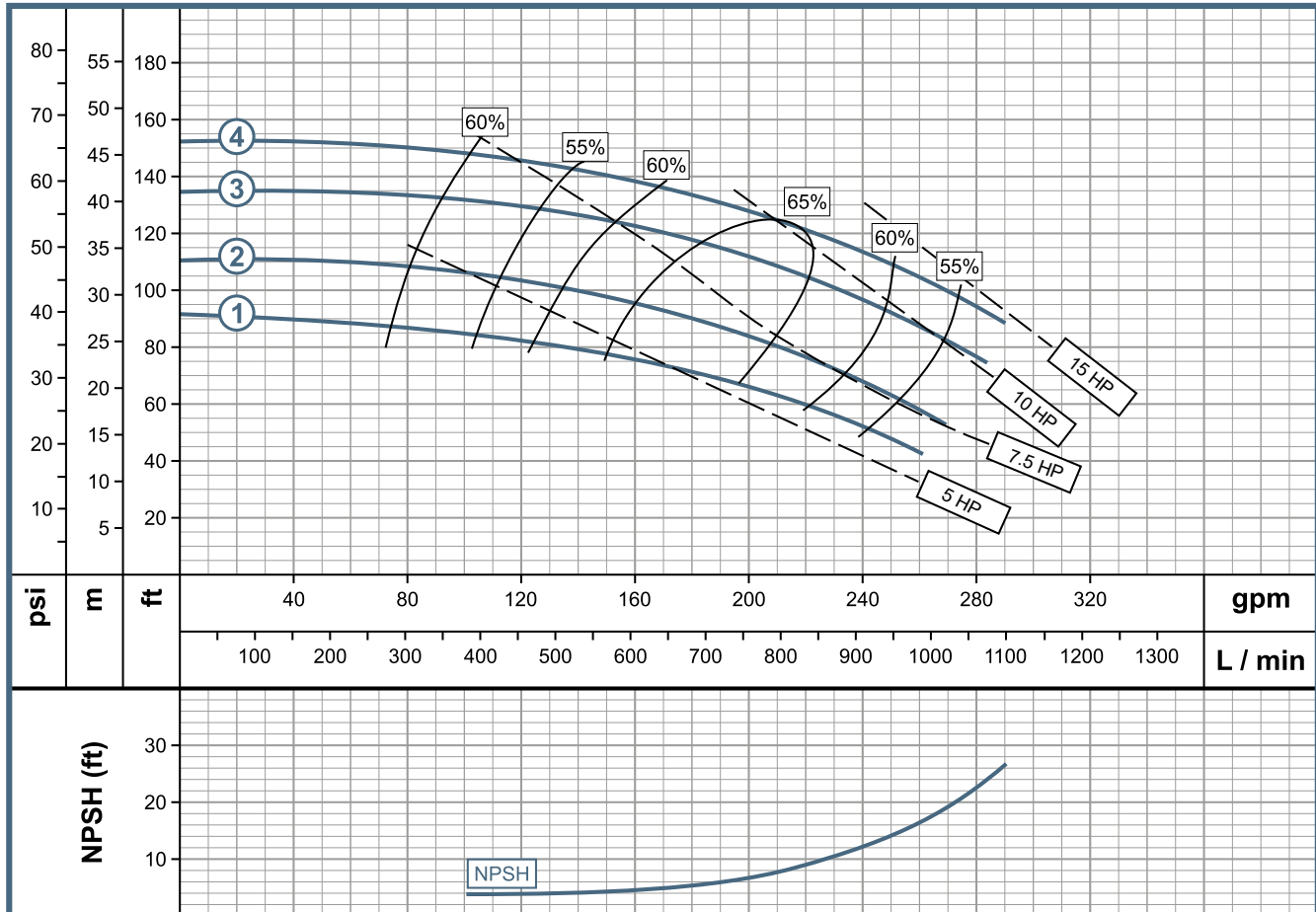
Performance Curve



Pump Features					
Pump Type		Design		Impeller	
End Suction		Close Coupled / Frame Mounted		Enclosed, Stainless Steel. *	
Stages		Mechanical Seal		Fluid Temperature Range	
1		1 1/4" T12 (1,2,3) / 1 3/4" T21 (4)		26.6°F to 225°F	
Model	Reference	Ø Suction	Ø Discharge	Ø Impeller	
1	GE 2E 50-4	1B0065S	2 1/2" NPT	2" NPT 9.625"	
2	GE 2E 75-4	1B0066S	2 1/2" NPT	2" NPT 10.500"	
3	GE 2E 100-4	1B0067S	2 1/2" NPT	2" NPT 11.500"	
4	GE 2E 150-4	1B0068S	2 1/2" NPT	2" NPT 12.093"	
4	GU 2E 1	1B0124S	2 1/2" NPT	2" NPT 12.093"	

Motor features			
Drive		Speed (rpm)	Frequency (Hz)
Electric		1800 (nominal)	60
Power (HP)	Phase	Voltage (V)	Frame
5	3	230/460	184JM
7.5	3	230/460	213JM
10	3	230/460	215JM
15	3	230/460	254JM
Frame Mounted			

Performance Curve



TEFC Enclosure as standard configuration
 Technical features are subject to change without notice.

GS Pumps

- GE 2.5B 10-4
- GE 2.5B 15-4
- GE 2.5B 20-4
- GE 2.5B 30-4
- GU 2.5B 1

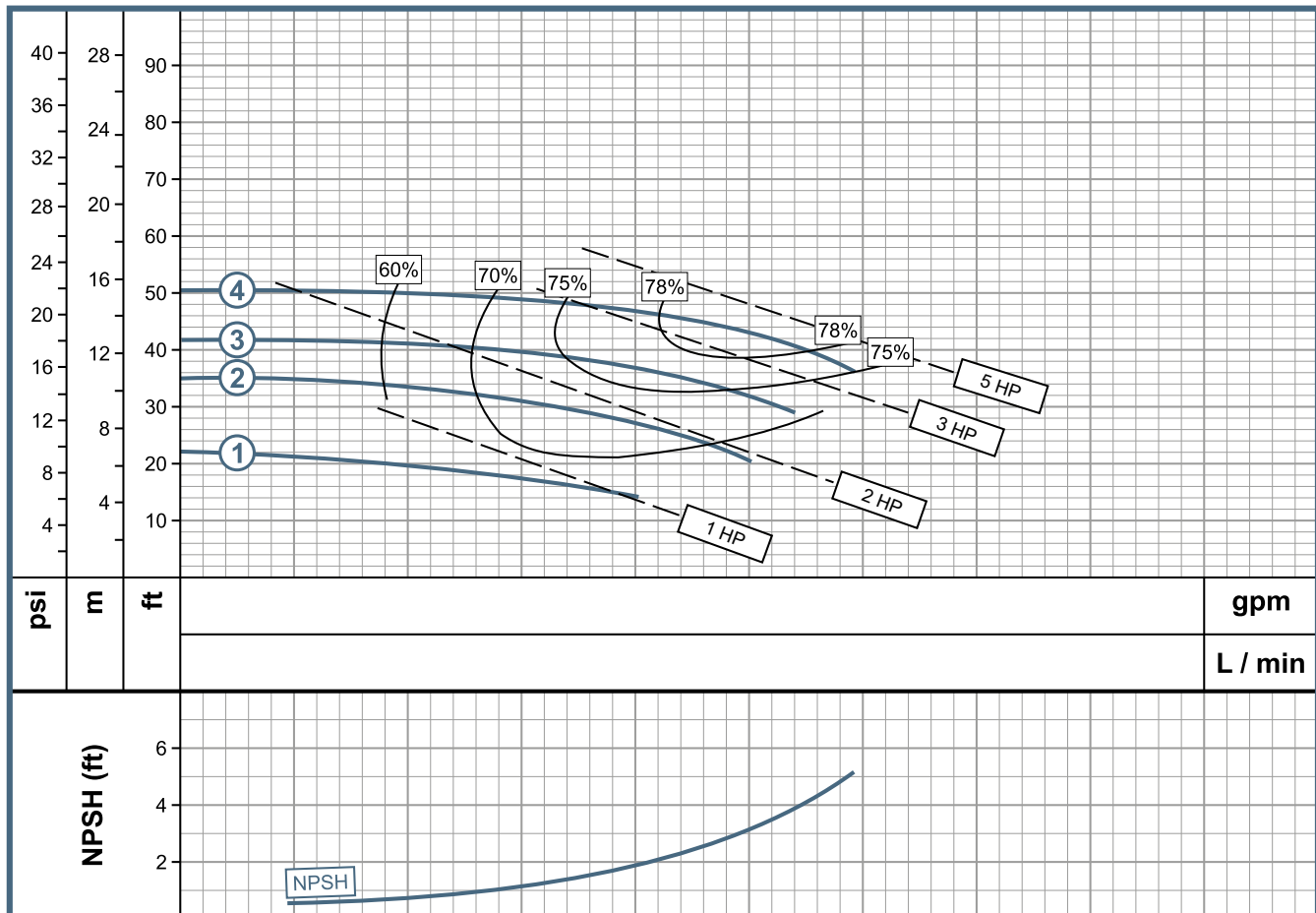


www.wdmpumps.com

Pump Features					
Pump Type		Design		Impeller	
End Suction		Close Coupled / Frame Mounted		Enclosed, Stainless Steel. *	
Stages		Mechanical Seal		Fluid Temperature Range	
1		1 1/4" T12		26.6°F to 225°F	
Model	Reference	Ø Suction	Ø Discharge	Ø Impeller	
1	GE 2.5B 10-4	1B0225S	3" F	2" F	4.750"
2	GE 2.5B 15-4	1B0226S	3" F	2" F	5.500"
3	GE 2.5B 20-4	1B0227S	3" F	2" F	6.000"
4	GE 2.5B 30-4	1B0228S	3" F	2" F	6.500"
4	GU 2.5B 1	1B0108S	3" F	2" F	6.500"

Motor Features			
Drive		Speed (rpm)	Frequency (Hz)
Electric		1800 (nominal)	60
Power (HP)	Phase	Voltage (V)	Frame
1	3	230/460	143JM
1,5	3	230/460	145JM
2	3	230/460	145JM
3	3	230/460	182JM
Frame Mounted			

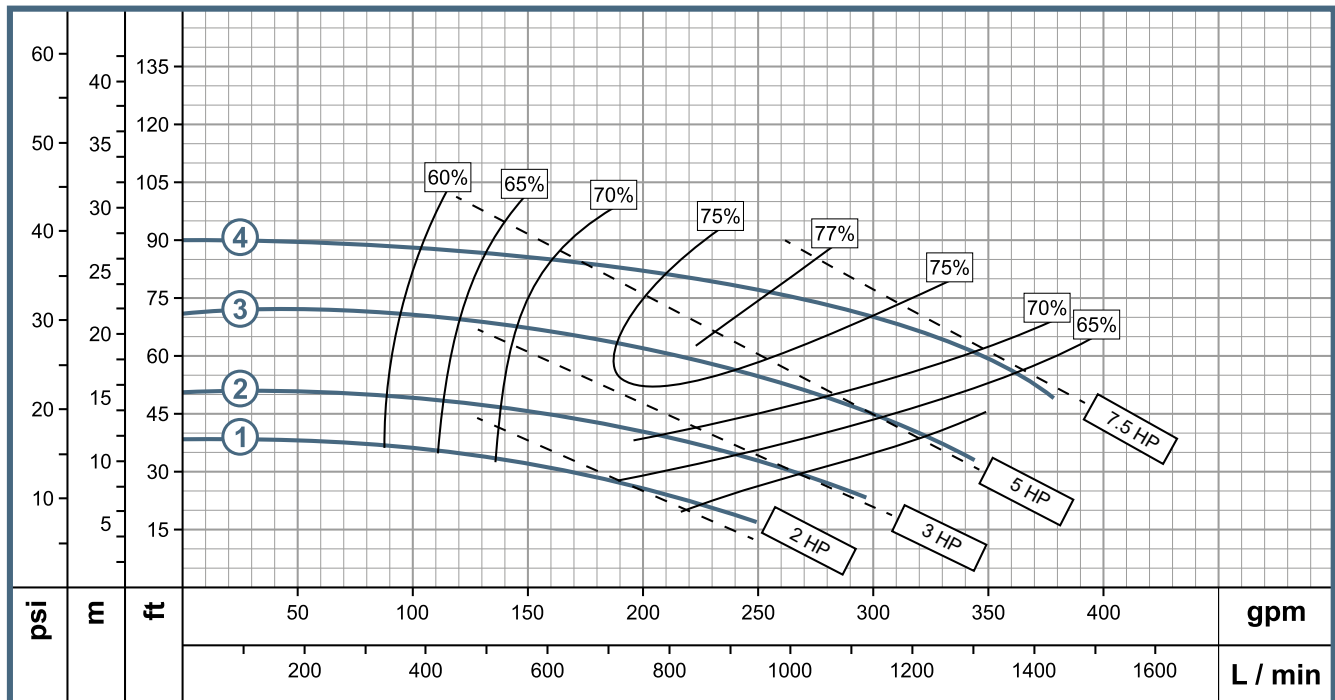
Performance Curve



Pump Features					
Pump Type		Design		Impeller	
End Suction		Close Coupled / Frame Mounted		Enclosed, Stainless Steel. *	
Stages		Mechanical Seal		Fluid Temperature Range	
1		1 1/4" T12		26.6°F to 225°F	
Model	Reference	Ø Suction	Ø Discharge	Ø Impeller	
1	GE 2.5C 20-4	1B0245S	3" F	2 1/2" F 5.875"	
2	GE 2.5C 30-4	1B0246S	3" F	2 1/2" F 6.750"	
3	GE 2.5C 50-4	1B0247S	3" F	2 1/2" F 8.000"	
4	GE 2.5C 75-4	1B0248S	3" F	2 1/2" F 9.600"	
4	GU 2.5C 1	1B0110S	3" F	2 1/2" F 9.600"	

Motor Features			
Drive		Speed (rpm)	Frequency (Hz)
Electric		1800 (nominal)	60
Power (HP)	Phase	Voltage (V)	Frame
2	3	230/460	145JM
3	3	230/460	182JM
5	3	230/460	184JM
7.5	3	230/460	213JM
Frame Mounted			

Performance Curve



TEFC Enclosure as standard configuration
 Technical features are subject to change without notice.

GS Pumps

- GE 2.5E 75-4
- GE 2.5E 100-4
- GE 2.5E 150-4
- GE 2.5E 200-4
- GU 2.5E 2

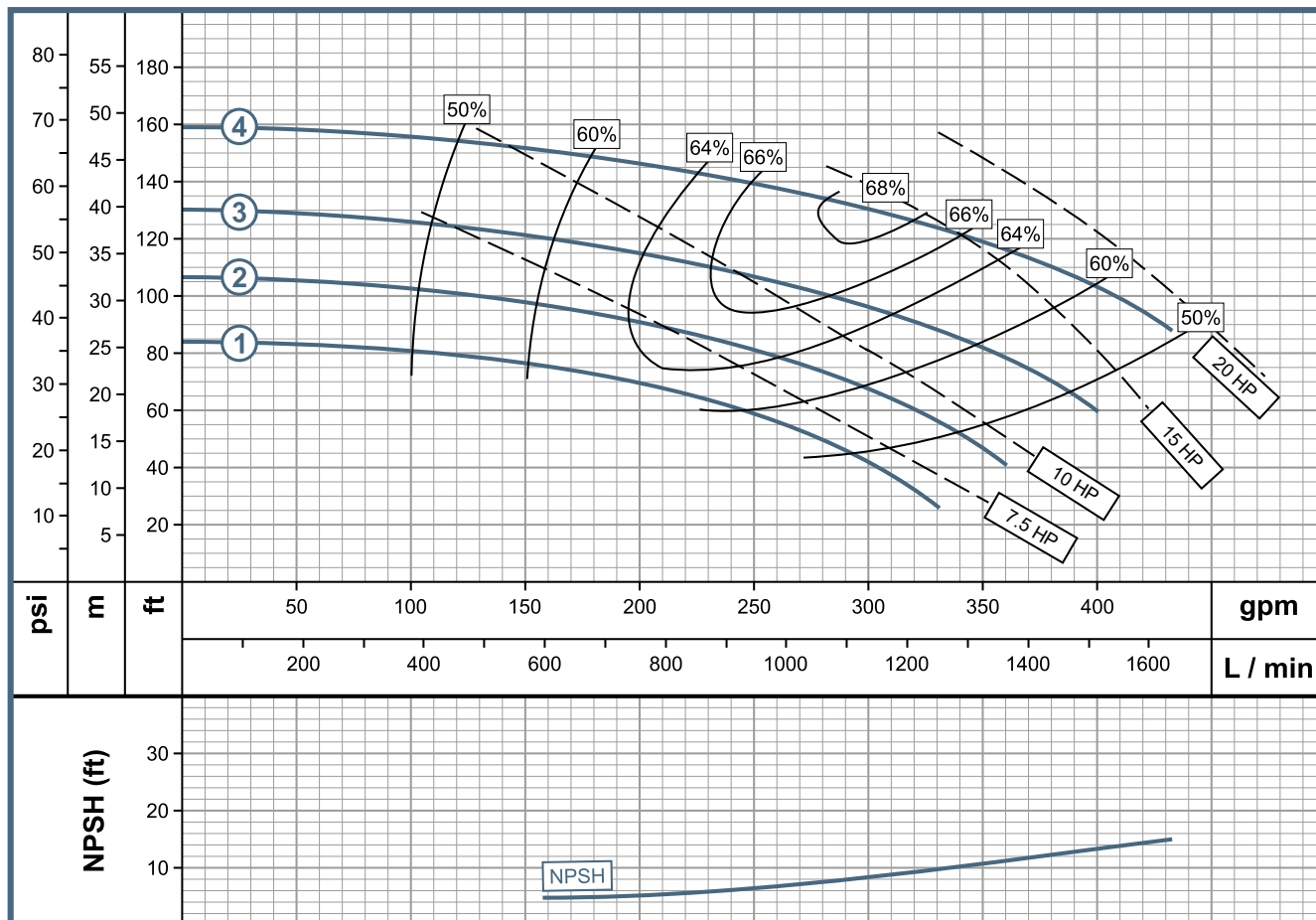


www.wdmpumps.com

Pump Features					
Pump Type		Design		Impeller	
End Suction		Close Coupled / Frame Mounted		Enclosed, Stainless Steel. *	
Stages		Mechanical Seal		Fluid Temperature Range	
1		1 1/4" T12 (1,2) / 1 3/4" T21 (3,4)		26.6°F to 225°F	
Model	Reference	Ø Suction	Ø Discharge	Ø Impeller	
1	GE 2.5E 75-4	1B0069S	3" F	2 1/2" F 9.000"	
2	GE 2.5E 100-4	1B0070S	3" F	2 1/2" F 10.000"	
3	GE 2.5E 150-4	1B0071S	3" F	2 1/2" F 11.000"	
4	GE 2.5E 200-4	1B0072S	3" F	2 1/2" F 12.093"	
4	GU 2.5E 2	1B0125S	3" F	2 1/2" F 12.093"	

Motor Features			
Drive		Speed (rpm)	Frequency (Hz)
Electric		1800 (nominal)	60
Power (HP)	Phase	Voltage (V)	Frame
7.5	3	230/460	213JM
10	3	230/460	215JM
15	3	230/460	254JM
20	3	230/460	256JM
Frame Mounted			

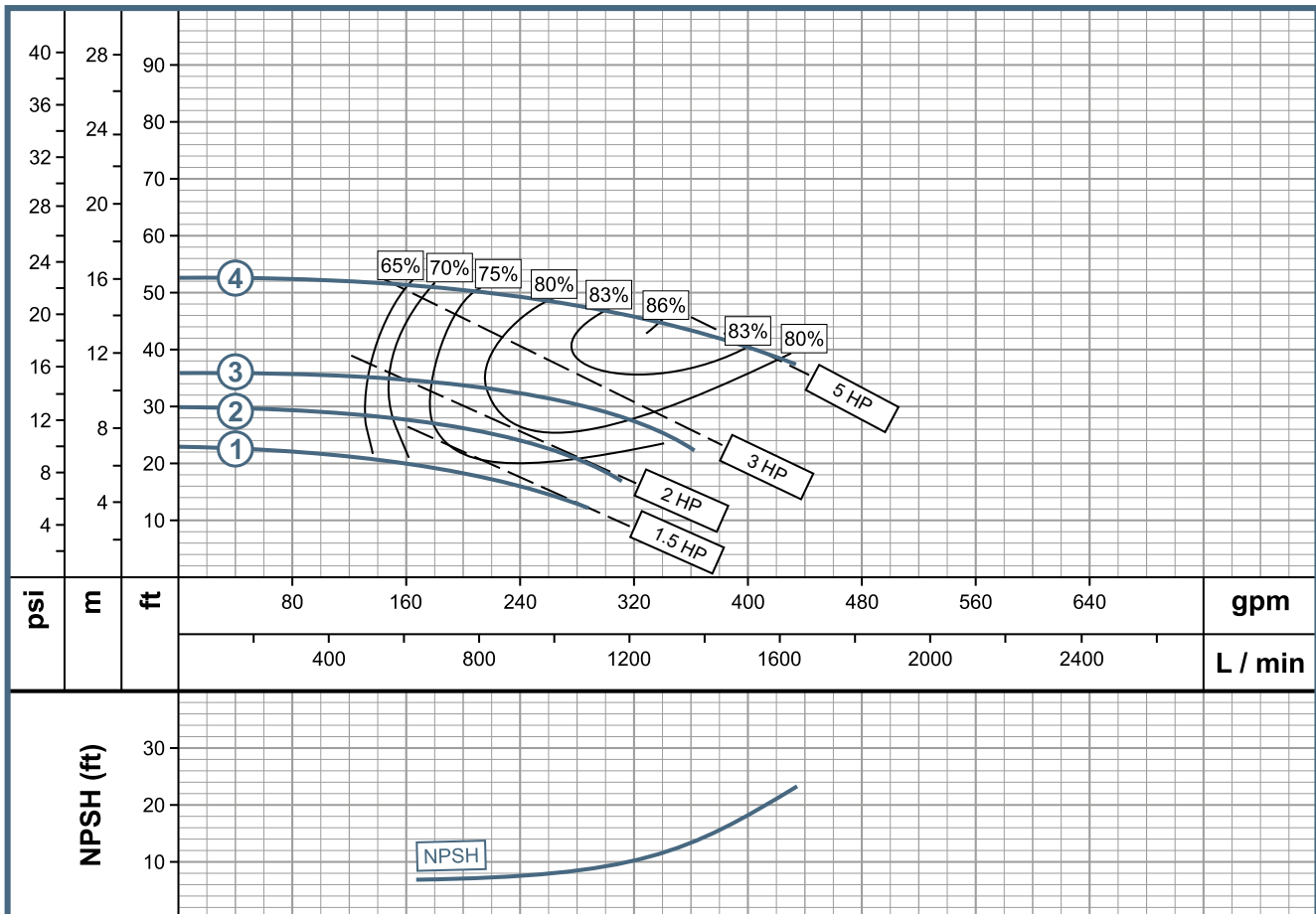
Performance Curve



Pump Features					
Pump Type		Design		Impeller	
End Suction		Close Coupled / Frame Mounted		Enclosed, Stainless Steel. *	
Stages		Mechanical Seal		Fluid Temperature Range	
1		1 1/4" T12		26.6°F to 225°F	
Model	Reference	Ø Suction	Ø Discharge	Ø Impeller	
1	GE 3B 15-4	1B0230S	4" F	3" F	5.000"
2	GE 3B 20-4	1B0231S	4" F	3" F	5.500"
3	GE 3B 30-4	1B0232S	4" F	3" F	6.000"
4	GE 3B 50-4	1B0233S	4" F	3" F	7.100"
4	GU 3B 1	1B0112S	4" F	3" F	7.100"

Motor Features			
Drive		Speed (rpm)	Frequency (Hz)
Electric		1800 (nominal)	60
Power (HP)	Phase	Voltage (V)	Frame
1.5	3	230/460	145JM
2	3	230/460	145JM
3	3	230/460	182JM
5	3	230/460	184JM
Frame Mounted			

Performance Curve



TEFC Enclosure as standard configuration.
 Technical features are subject to change without notice.

GS Pumps

- GE 3C 30-4
- GE 3C 50-4
- GE 3C 75-4
- GE 3C 100-4
- GU 3C 1

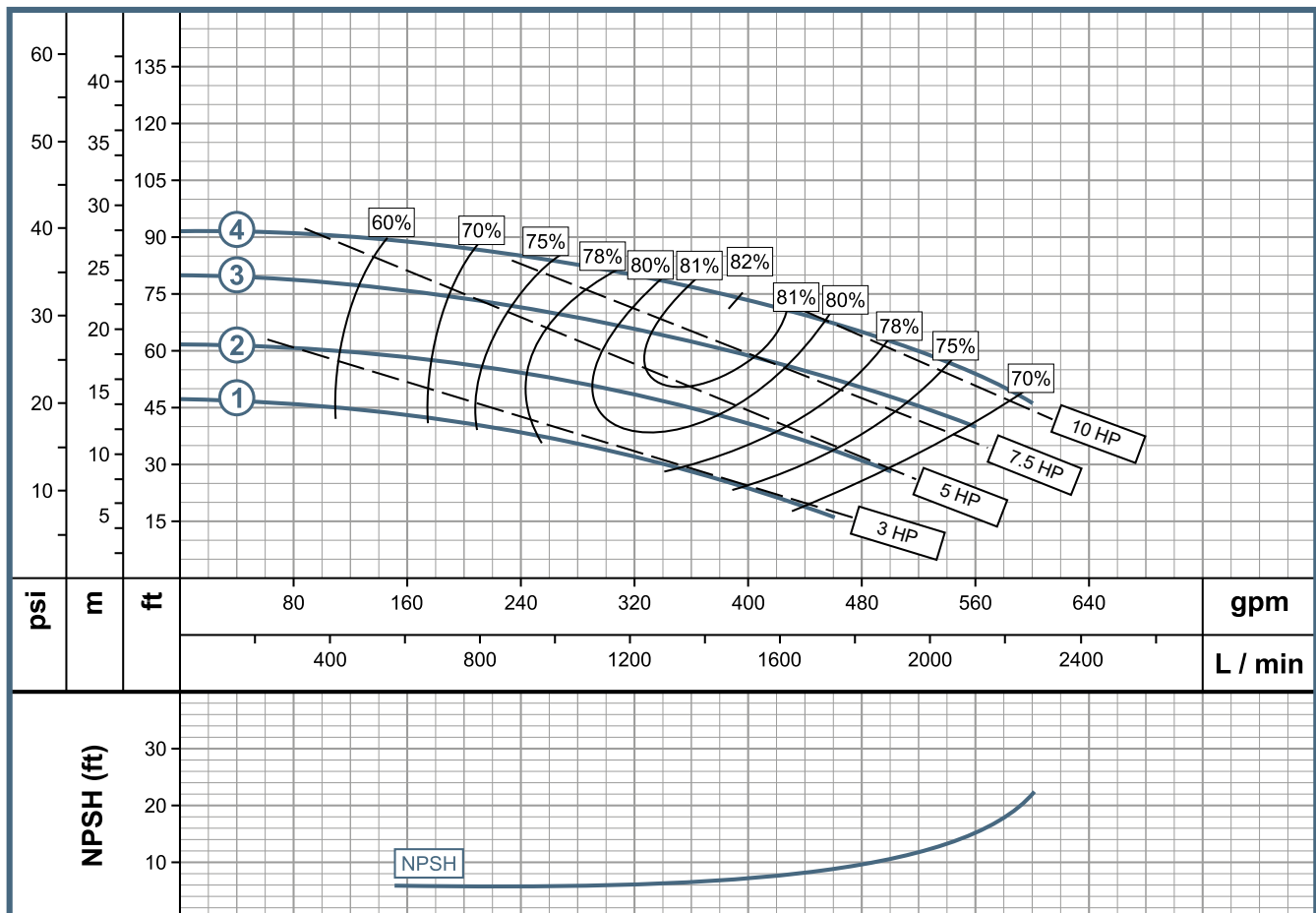


www.wdmpumps.com

Pump Features					
Pump Type		Design		Impeller	
End Suction		Close Coupled / Frame Mounted		Enclosed, Stainless Steel. *	
Stages		Mechanical Seal		Fluid Temperature Range	
1		1 1/4" T12		26.6°F to 225°F	
Model	Reference	Ø Suction	Ø Discharge	Ø Impeller	
1	GE 3C 30-4	1B0249S	4" F	3" F	6.900"
2	GE 3C 50-4	1B0250S	4" F	3" F	8.000"
3	GE 3C 75-4	1B0251S	4" F	3" F	9.000"
4	GE 3C 100-4	1B0252S	4" F	3" F	9.600"
4	GU 3C 1	1B0114S	4" F	3" F	9.600"

Motor Features			
Drive		Speed (rpm)	Frequency (Hz)
Electric		1800 (nominal)	60
Power (HP)	Phase	Voltage (V)	Frame
3	3	230/460	182JM
5	3	230/460	184JM
7.5	3	230/460	213JM
10	3	230/460	215JM
Frame Mounted			

Performance Curve

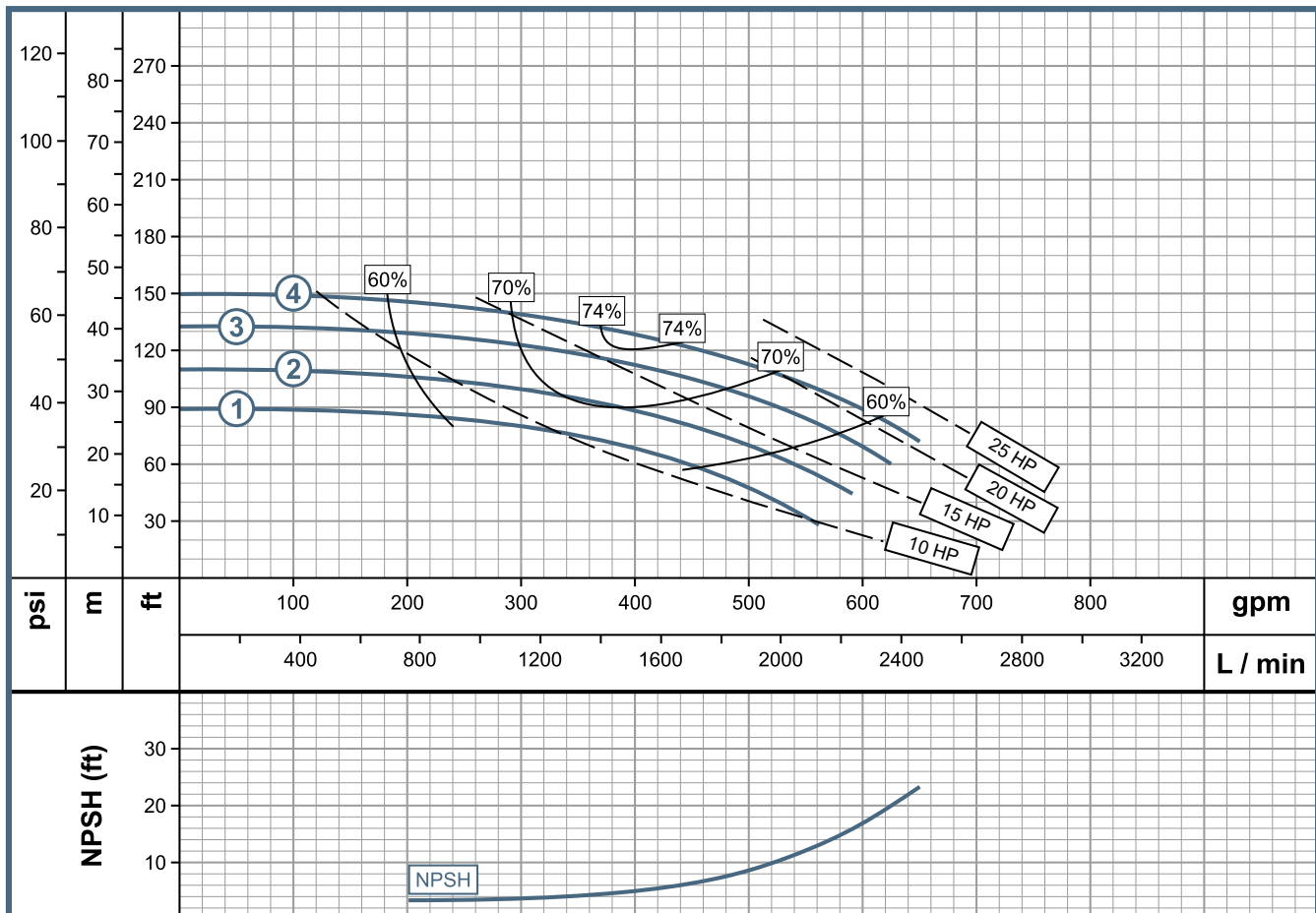


TEFC Enclosure as standard configuration.
 Technical features are subject to change without notice.

Pump Features					
Pump Type		Design		Impeller	
End Suction		Close Coupled / Frame Mounted		Enclosed, Stainless Steel. *	
Stages		Mechanical Seal		Fluid Temperature Range	
1		1 1/4" T12 (1) / 1 3/4" T21 (2,3,4)		26.6°F to 225°F	
Model	Reference	Ø Suction	Ø Discharge	Ø Impeller	
1	GE 3E 100-4	1B0073S	4" F	3" F	9.500"
2	GE 3E 150-4	1B0074S	4" F	3" F	10.500"
3	GE 3E 200-4	1B0075S	4" F	3" F	11.500"
4	GE 3E 250-4	1B0076S	4" F	3" F	12.093"
4	GU 3E 2	1B0126S	4" F	3" F	12.093"

Motor Features			
Drive		Speed (rpm)	Frequency (Hz)
Electric		1800 (nominal)	60
Power (HP)	Phase	Voltage (V)	Frame
10	3	230/460	215JM
15	3	230/460	254JM
20	3	230/460	256JM
25	3	230/460	284JM
Frame Mounted			

Performance Curve



TEFC Enclosure as standard configuration.
 Technical features are subject to change without notice.

GS Pumps

- GE 3F 150-4
- GE 3F 200-4
- GE 3F 250-4
- GE 3F 300-4
- GU 3F 2

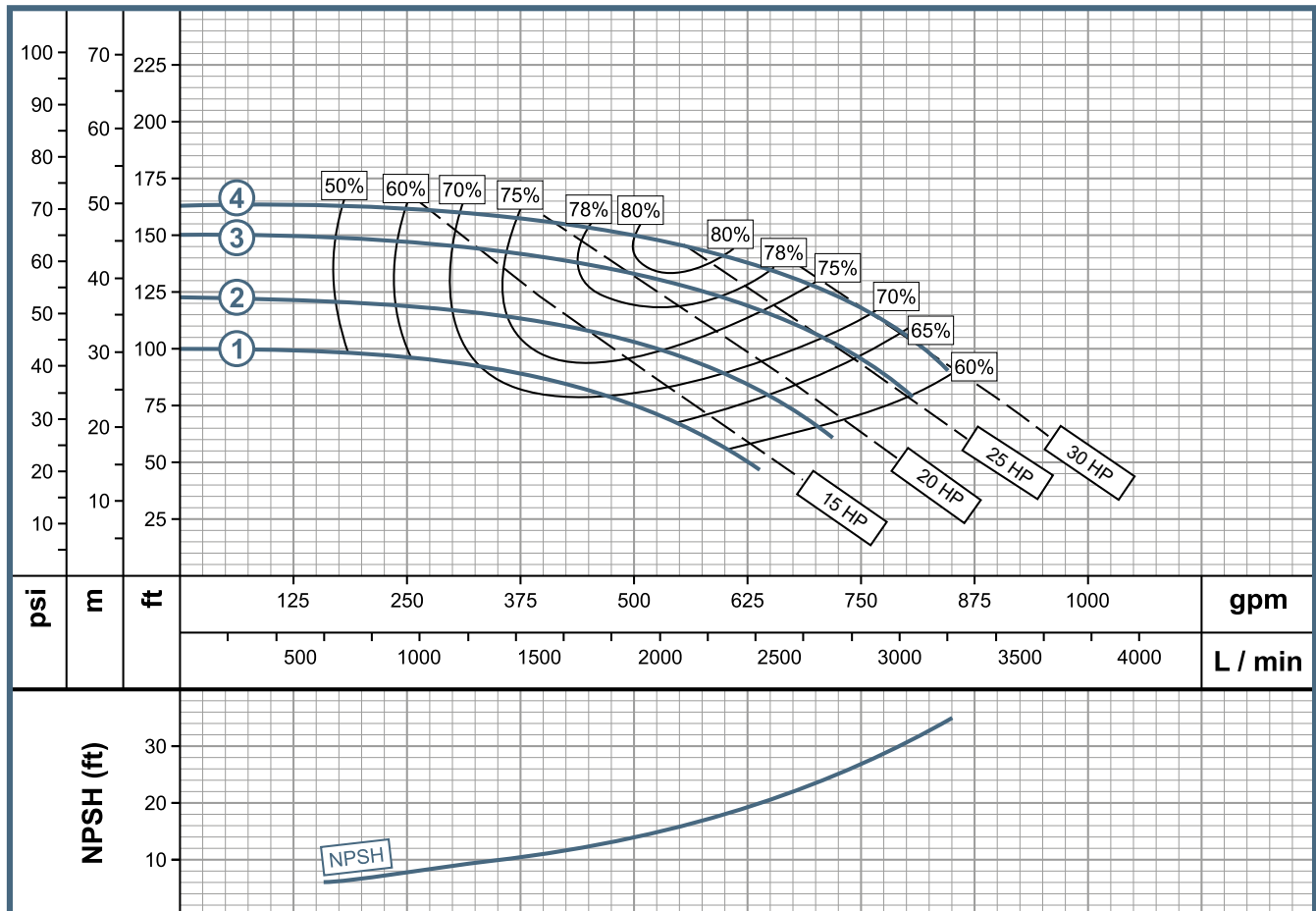


www.wdmpumps.com

Pump Features					
Pump Type		Design		Impeller	
End Suction		Close Coupled / Frame Mounted		Enclosed, Stainless Steel. *	
Stages		Mechanical Seal		Fluid Temperature Range	
1		1 3/4" T21		26.6°F to 225°F	
Model	Reference	Ø Suction	Ø Discharge	Ø Impeller	
1	GE 3F 150-4	1B0077S	4" F	3" F	9.500"
2	GE 3F 200-4	1B0078S	4" F	3" F	10.500"
3	GE 3F 250-4	1B0079S	4" F	3" F	11.500"
4	GE 3F 300-4	1B0080S	4" F	3" F	12.125"
4	GU 3F 2	1B0127S	4" F	3" F	12.125"

Motor Features			
Drive		Speed (rpm)	Frequency (Hz)
Electric		1800 (nominal)	60
Power (HP)	Phase	Voltage (V)	Frame
15	3	230/460	254JM
20	3	230/460	256JM
25	3	230/460	284JM
30	3	230/460	286JM
Frame Mounted			

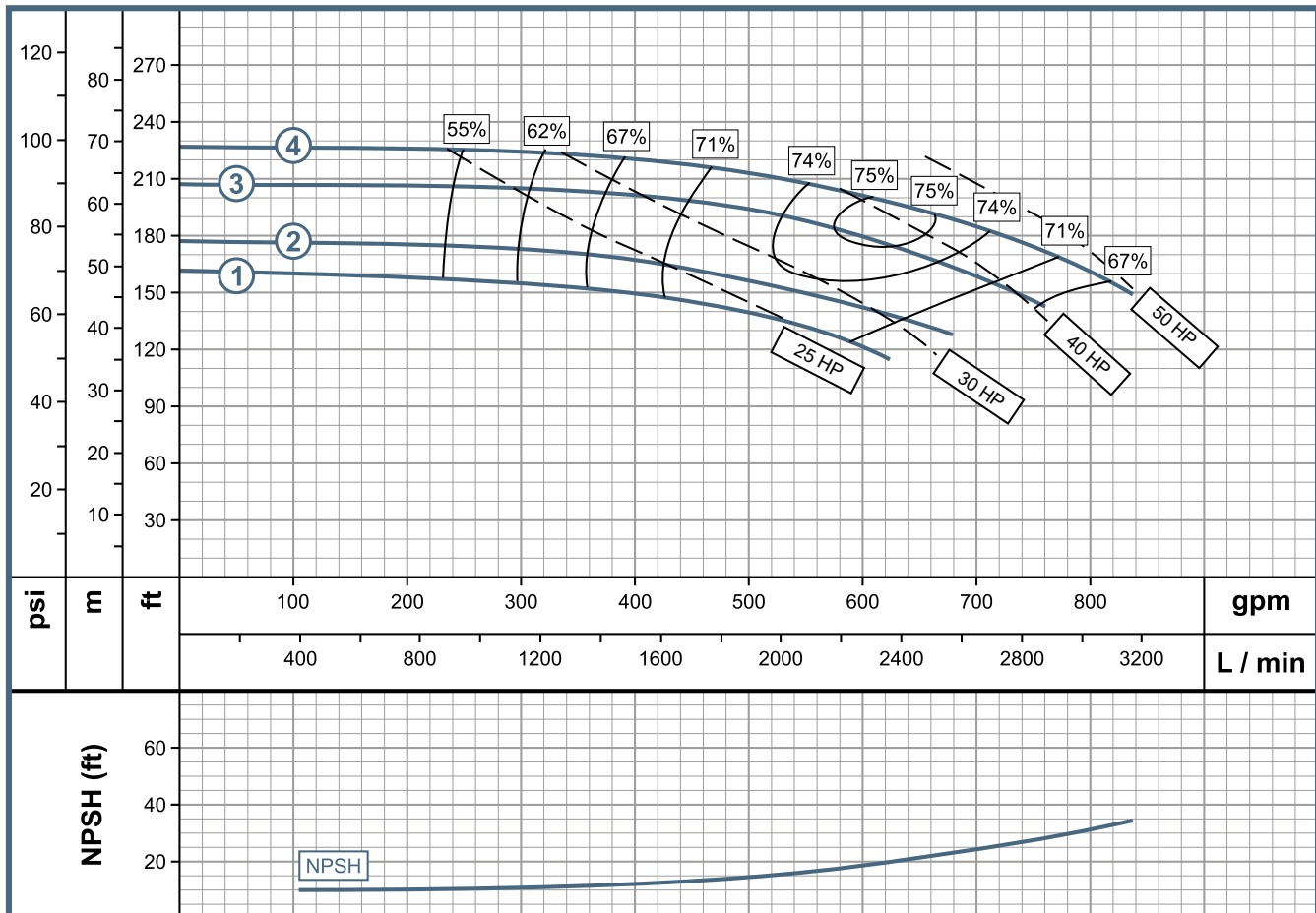
Performance Curve



Pump Features					
Pump Type		Design		Impeller	
End Suction		Close Coupled / Frame Mounted		Enclosed, Stainless Steel. *	
Stages		Mechanical Seal		Fluid Temperature Range	
1		1 3/4" T21		26.6°F to 225°F	
Model	Reference	Ø Suction	Ø Discharge	Ø Impeller	
1	GE 3G 250-4	1B0156S	4" F	3" F	12.000"
2	GE 3G 300-4	1B0157S	4" F	3" F	12.500"
3	GE 3G 400-4	1B0158S	4" F	3" F	13.500"
4	GE 3G 500-4	1B0159S	4" F	3" F	14.130"
4	GU 3G 3	1B0151S	4" F	3" F	14.130"

Motor Features			
Drive		Speed (rpm)	Frequency (Hz)
Electric		1800 (nominal)	60
Power (HP)	Phase	Voltage (V)	Frame
25	3	230/460	284JM
30	3	230/460	286JM
40	3	230/460	324JM
50	3	230/460	326JM
Frame Mounted			

Performance Curve



TEFC Enclosure as standard configuration.
 Technical features are subject to change without notice.

GS Pumps

- GE 4B 30-4
- GE 4B 50-4
- GE 4B 75-4
- GU 4B 1

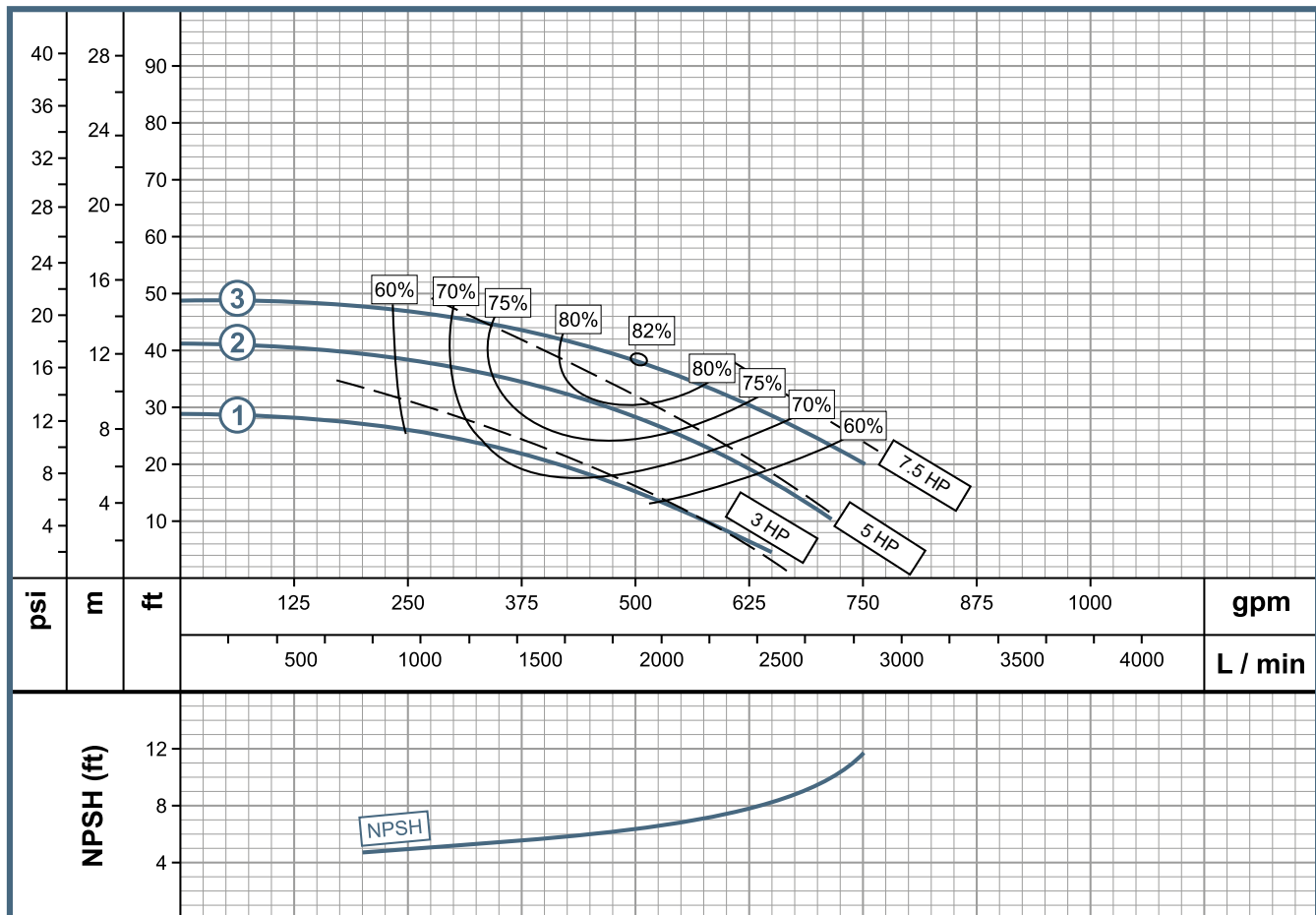


www.wdmpumps.com

Pump Features					
Pump Type		Design		Impeller	
End Suction		Close Coupled / Frame Mounted		Enclosed, Stainless Steel. *	
Stages		Mechanical Seal		Fluid Temperature Range	
1		1 1/4" T12		26.6°F to 225°F	
Model	Reference	Ø Suction	Ø Discharge	Ø Impeller	
1	GE 4B 30-4	1B0234S	5" F	4" F	5.500"
2	GE 4B 50-4	1B0235S	5" F	4" F	6.500"
3	GE 4B 75-4	1B0236S	5" F	4" F	7.100"
4	GU 4B 1	1B0119S	5" F	4" F	7.100"

Motor Features			
Drive		Speed (rpm)	Frequency (Hz)
Electric		1800 (nominal)	60
Power (HP)	Phase	Voltage (V)	Frame
3	3	230/460	182JM
5	3	230/460	184JM
7.5	3	230/460	213JM
Frame Mounted			

Performance Curve

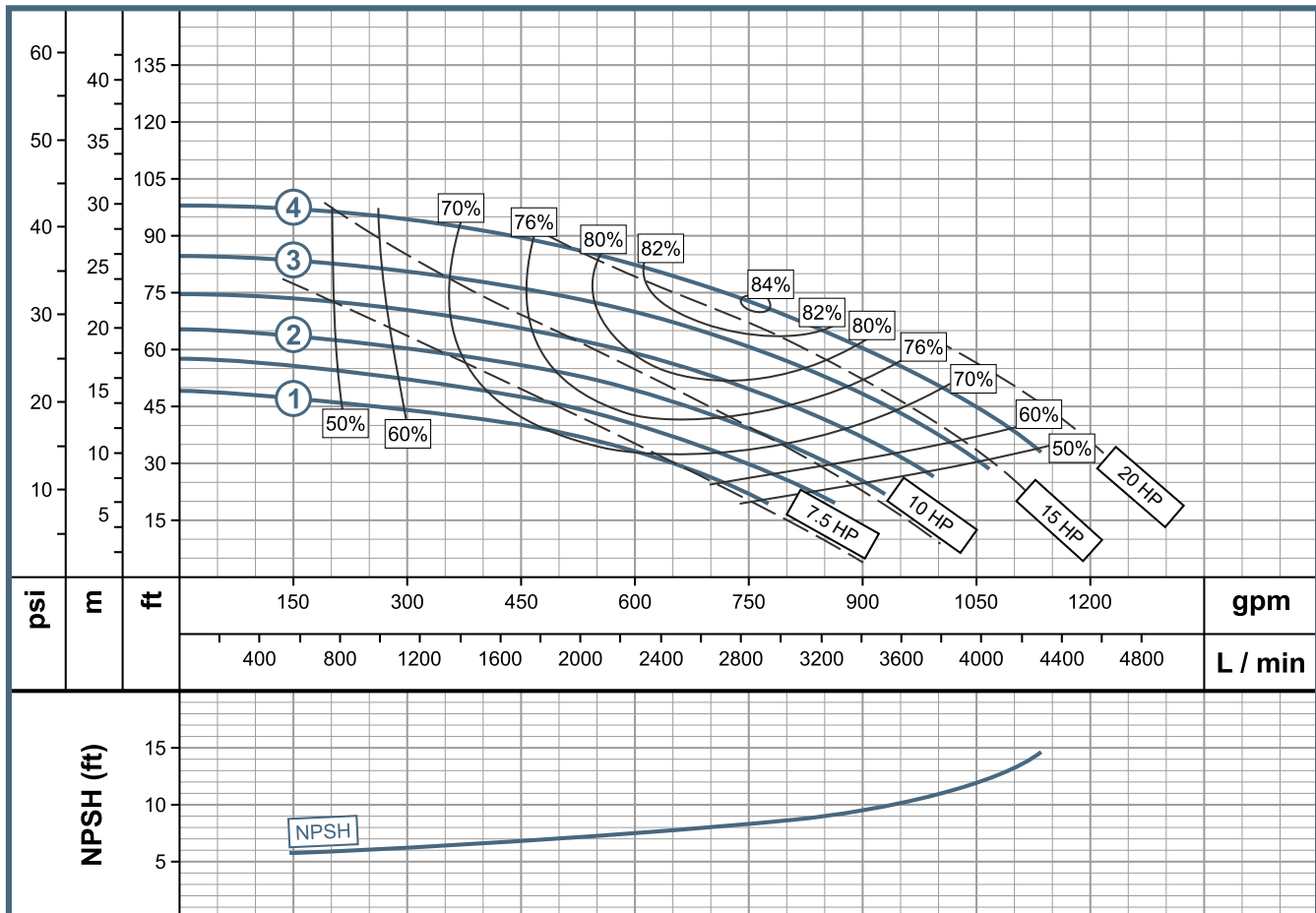


TEFC Enclosure as standard configuration.
 Technical features are subject to change without notice.

Pump Features					
Pump Type		Design		Impeller	
End Suction		Close Coupled / Frame Mounted		Enclosed, Stainless Steel. *	
Stages		Mechanical Seal		Fluid Temperature Range	
1		1 1/4" T12 (1,2) / 1 3/4" T21 (3,4)		26.6°F to 225°F	
Model	Reference	Ø Suction	Ø Discharge	Ø Impeller	
1	GE 4C 75-4	1B0263S	5" F	4" F	7.000"
2	GE 4C 100-4	1B0264S	5" F	4" F	8.000"
3	GE 4C 150-4	1B0265S	5" F	4" F	9.000"
4	GE 4C 200-4	1B0266S	5" F	4" F	9.600"
4	GU 4C 1	1B0116S	5" F	4" F	9.600"

Motor Features			
Drive		Speed (rpm)	Frequency (Hz)
Electric		1800 (nominal)	60
Power (HP)	Phase	Voltage (V)	Frame
7.5	3	230/460	213JM
10	3	230/460	215JM
15	3	230/460	254JM
20	3	230/460	256JM
Frame Mounted			

Performance Curve



TEFC Enclosure as standard configuration.
 Technical features are subject to change without notice.

GS Pumps

- GE 4E 150-4
- GE 4E 200-4
- GE 4E 250-4
- GE 4E 300-4
- GE 4E 400-4
- GE 4E 500-4
- GU 4E 2

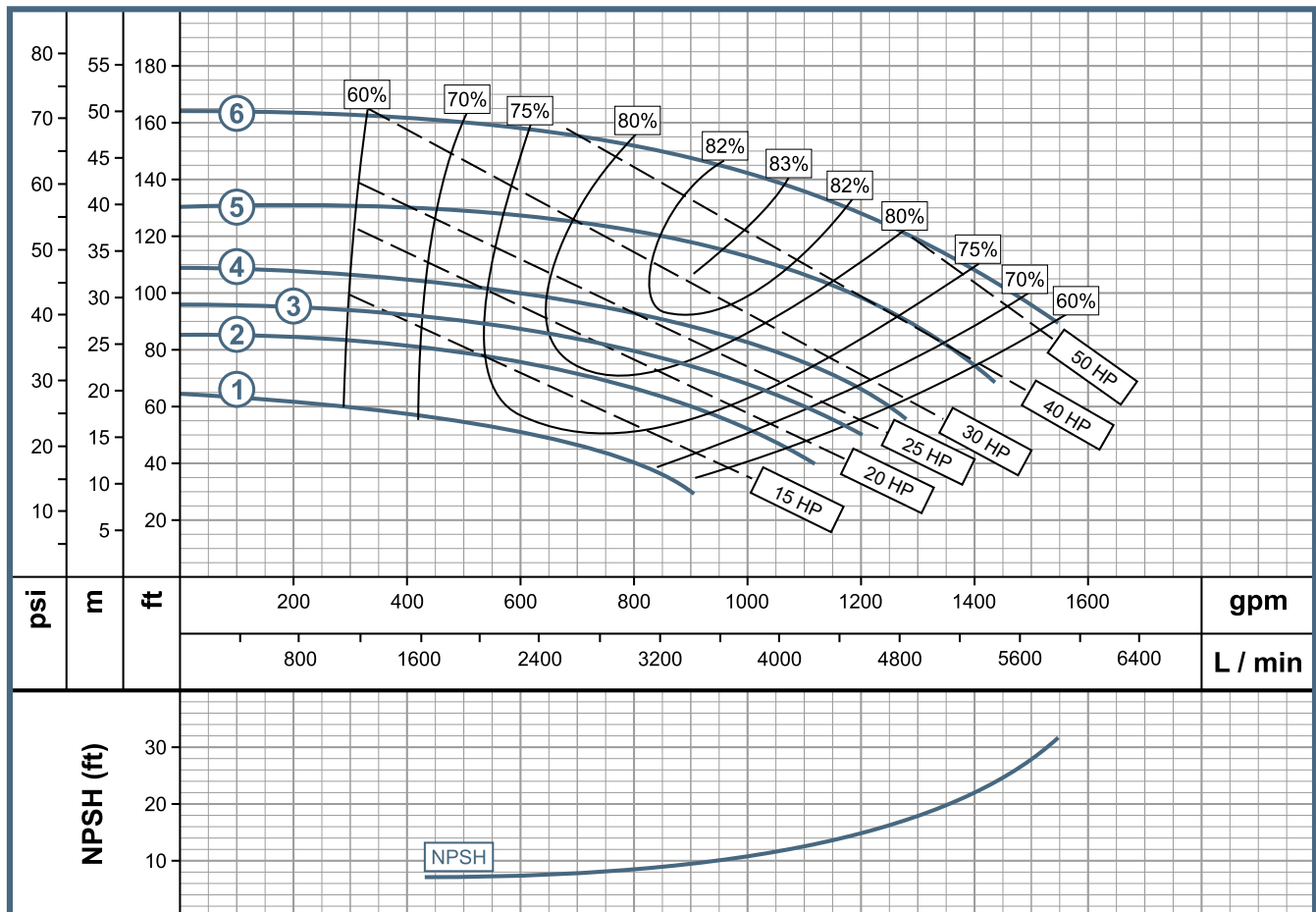


www.wdmpumps.com

Pump Features					
Pump Type		Design		Impeller	
End Suction		Close Coupled / Frame Mounted		Enclosed, Stainless Steel. *	
Stages		Mechanical Seal		Fluid Temperature Range	
1		1 3/4" T21		26.6°F to 225°F	
Model	Reference	Ø Suction	Ø Discharge	Ø Impeller	
1	GE 4E 150-4	1B0081S	5" F	4" F	8.000"
2	GE 4E 200-4	1B0082S	5" F	4" F	9.000"
3	GE 4E 250-4	1B0253S	5" F	4" F	9.500"
4	GE 4E 300-4	1B0083S	5" F	4" F	10.000"
5	GE 4E 400-4	1B0084S	5" F	4" F	11.000"
6	GE 4E 500-4	1B0085S	5" F	4" F	12.093"
6	GU 4E 2	1B0128S	5" F	4" F	12.093"

Motor Features			
Drive		Speed (rpm)	Frequency (Hz)
Electric		1800 (nominal)	60
Power (HP)	Phase	Voltage (V)	Frame
15	3	230/460	254JM
20	3	230/460	256JM
25	3	230/460	284JM
30	3	230/460	286JM
40	3	230/460	324JM
50	3	230/460	326JM
Frame Mounted			

Performance Curve

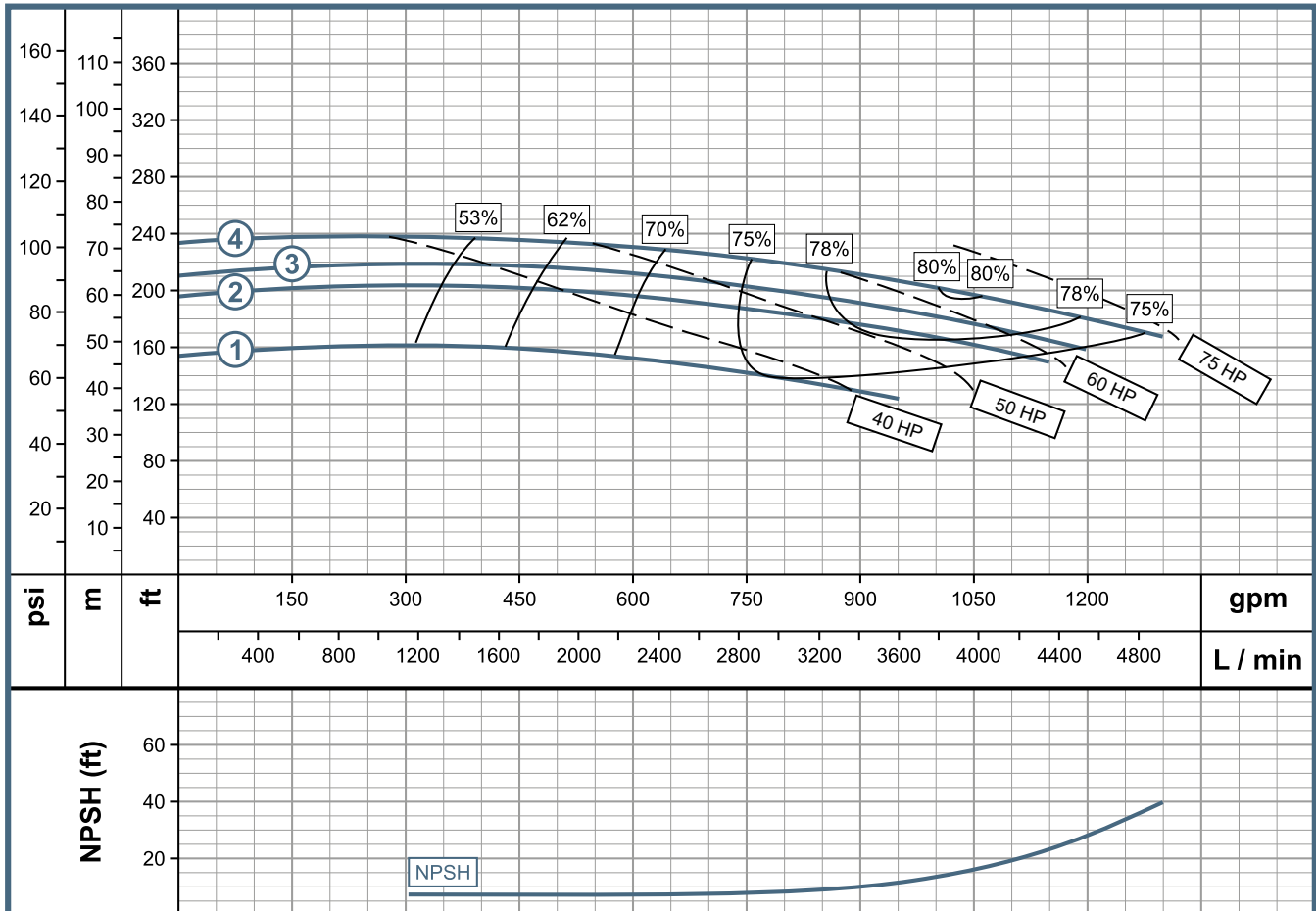


TEFC Enclosure as standard configuration.
 Technical features are subject to change without notice.

Pump Features					
Pump Type		Design		Impeller	
End Suction		Close Coupled / Frame Mounted		Enclosed, Stainless Steel. *	
Stages		Mechanical Seal		Fluid Temperature Range	
1		1 3/4" T21		26.6°F to 225°F	
Model	Reference	Ø Suction	Ø Discharge	Ø Impeller	
1	GE 4G 400-4	1B0160S	5" F	4" F	12.750"
2	GE 4G 500-4	1B0161S	5" F	4" F	14.000"
3	GE 4G 600-4	1B0162S	5" F	4" F	14.500"
4	GE 4G 750-4	1B0163S	5" F	4" F	15.000"
4	GU 4G 3	1B0152S	5" F	4" F	15.000"

Motor Features			
Drive		Speed (rpm)	Frequency (Hz)
Electric		1800 (nominal)	60
Power (HP)	Phase	Voltage (V)	Frame
40	3	230/460	324JM
50	3	230/460	326JM
60	3	230/460	364JM
75	3	230/460	365JP
Frame Mounted			

Performance Curve



TEFC Enclosure as standard configuration.
 Technical features are subject to change without notice.

GS Pumps

- GE 5C 100-4
- GE 5C 150-4
- GE 5C 200-4
- GE 5C 250-4
- GE 5C 300-4
- GU 5C 2

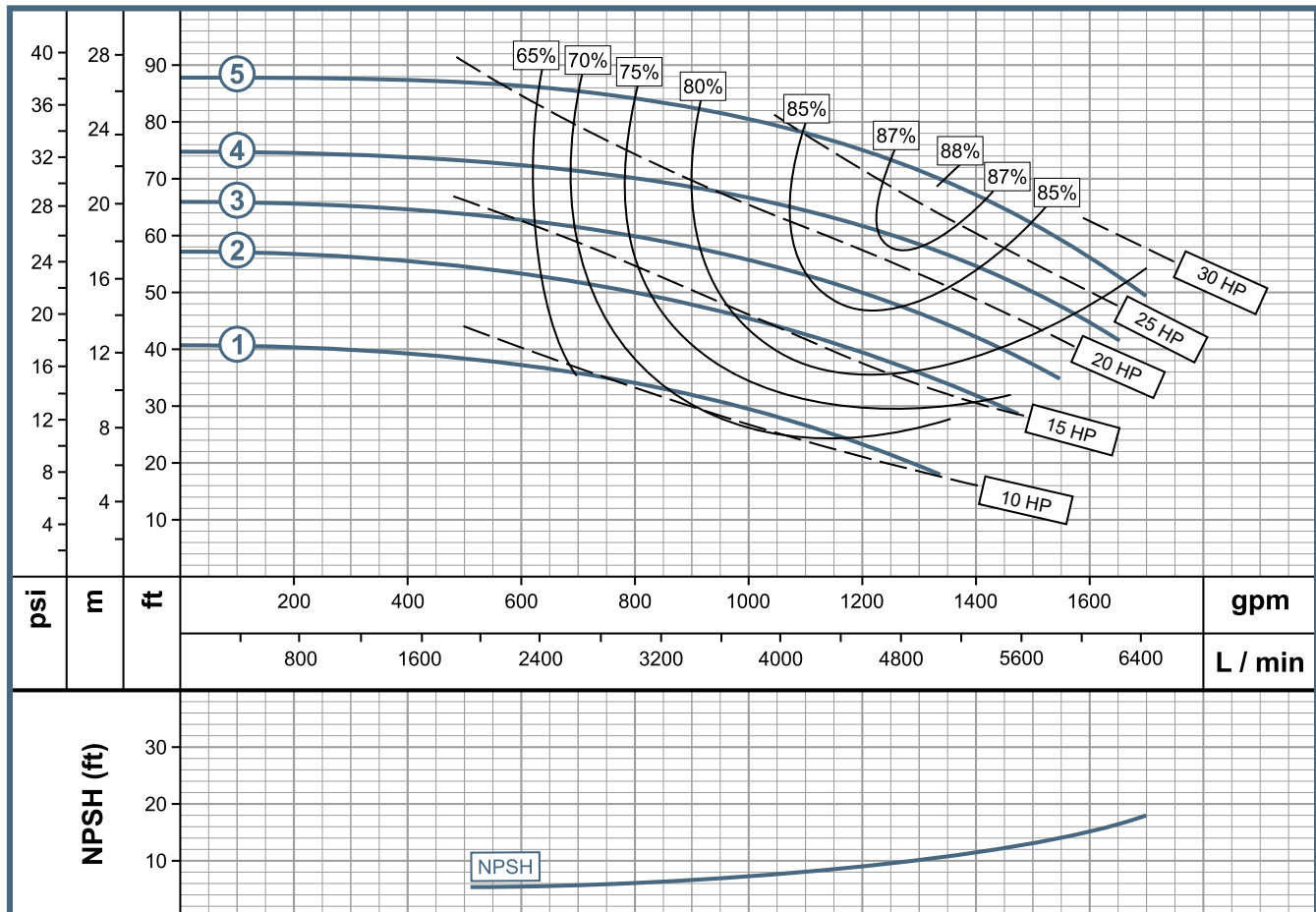


www.wdmpumps.com

Pump Features					
Pump Type		Design		Impeller	
End Suction		Close Coupled / Frame Mounted		Enclosed, Stainless Steel. *	
Stages		Mechanical Seal		Fluid Temperature Range	
1		1 3/4" T21		26.6°F to 225°F	
Model	Reference	Ø Suction	Ø Discharge	Ø Impeller	
1	GE 5C 100-4	1B0055S	6" F	5" F	7.000"
2	GE 5C 150-4	1B0056S	6" F	5" F	8.000"
3	GE 5C 200-4	1B0057S	6" F	5" F	8.500"
4	GE 5C 250-4	1B0058S	6" F	5" F	9.000"
5	GE 5C 300-4	1B0059S	6" F	5" F	9.600"
5	GU 5C 2	1B0122S	6" F	5" F	9.600"

Motor Features			
Drive		Speed (rpm)	Frequency (Hz)
Electric		1800 (nominal)	60
Power (HP)	Phase	Voltage (V)	Frame
10	3	230/460	215JM
15	3	230/460	254JM
20	3	230/460	256JM
25	3	230/460	284JM
30	3	230/460	286JM
Frame Mounted			

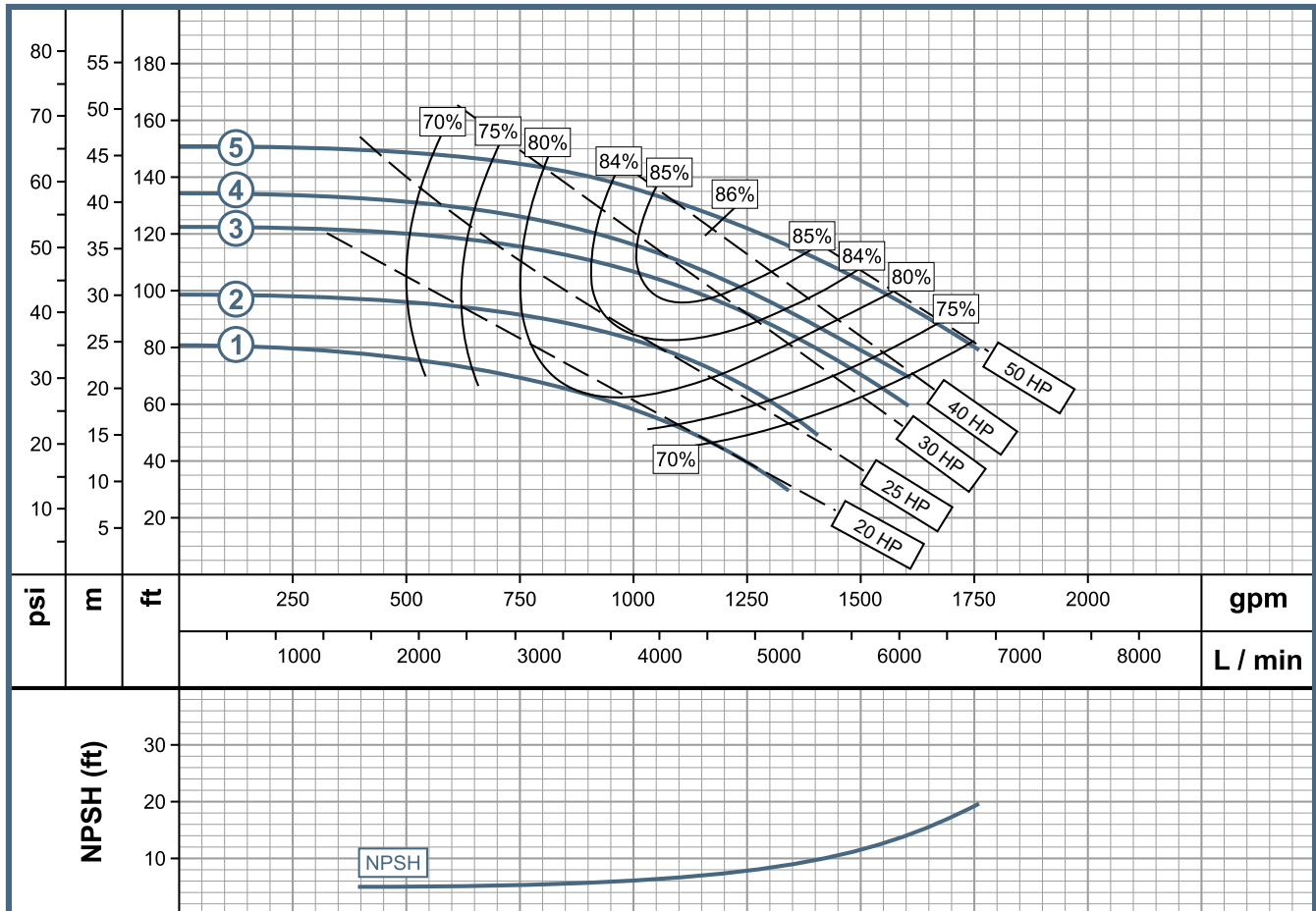
Performance Curve



Pump Features					
Pump Type		Design		Impeller	
End Suction		Close Coupled / Frame Mounted		Enclosed, Stainless Steel. *	
Stages		Mechanical Seal		Fluid Temperature Range	
1		1 3/4" T21		26.6°F to 225°F	
Model	Reference	Ø Suction	Ø Discharge	Ø Impeller	
1	GE 5E 200-4	1B0086S	6" F	5" F	9.000"
2	GE 5E 250-4	1B0254S	6" F	5" F	9.600"
3	GE 5E 300-4	1B0087S	6" F	5" F	10.000"
4	GE 5E 400-4	1B0088S	6" F	5" F	11.000"
5	GE 5E 500-4	1B0089S	6" F	5" F	12.093"
5	GU 5E 2	1B0129S	6" F	5" F	12.093"

Motor Features			
Drive		Speed (rpm)	Frequency (Hz)
Electric		1800 (nominal)	60
Power (HP)	Phase	Voltage (V)	Frame
20	3	230/460	256JM
25	3	230/460	284JM
30	3	230/460	286JM
40	3	230/460	324JM
50	3	230/460	326JM
Frame Mounted			

Performance Curve



TEFC Enclosure as standard configuration.
 Technical features are subject to change without notice.

GS Pumps

GE 5G 600-4
 GE 5G 750-4
 GE 5G 1000-4
 GE 5G 1250-4
 GU 5G 4

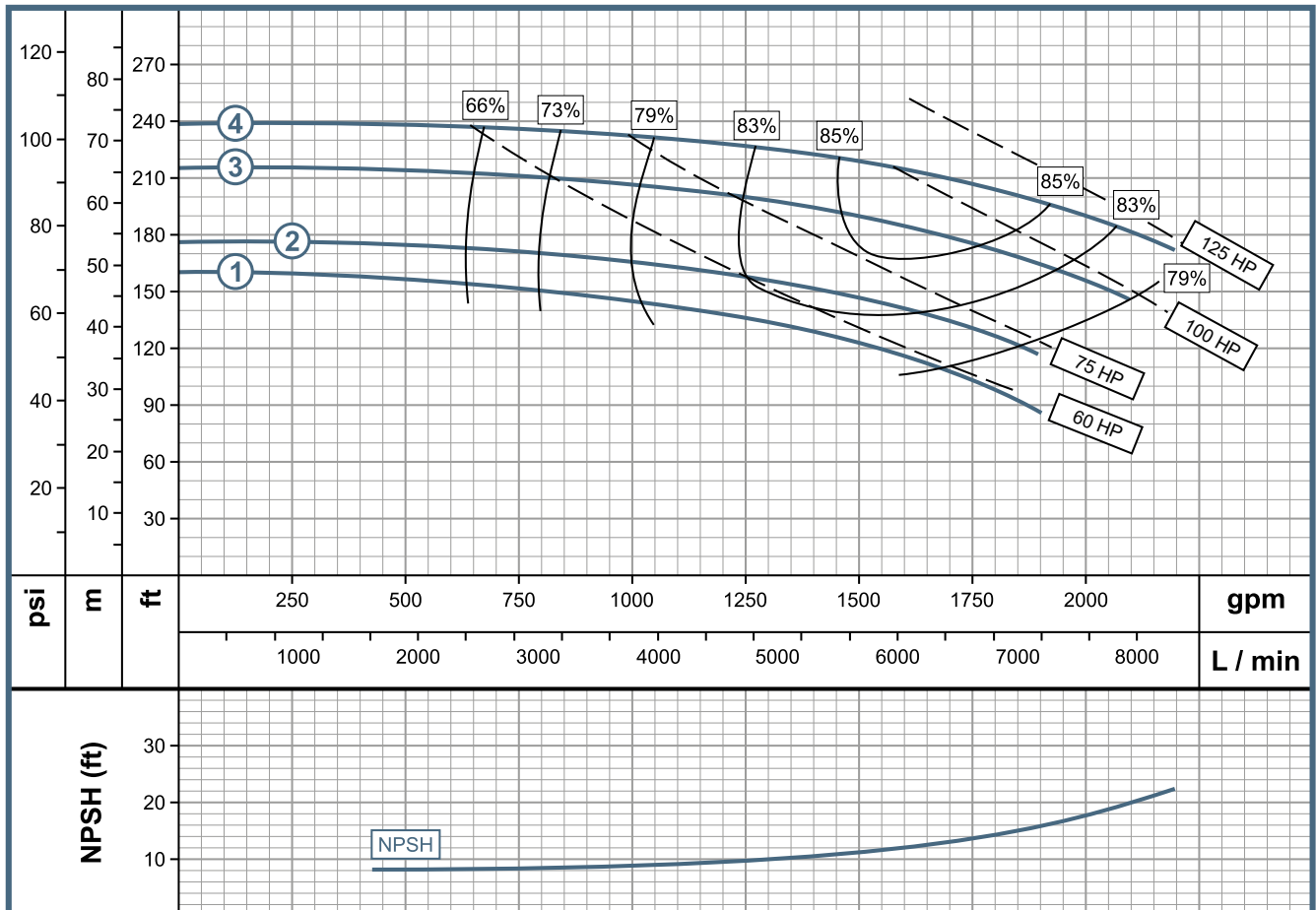


www.wdmpumps.com

Pump Features					
Pump Type		Design		Impeller	
End Suction		Close Coupled / Frame Mounted		Enclosed, Stainless Steel. *	
Stages			Mechanical Seal		Fluid Temperature Range
1			1 3/4" T21 (1) / 2" T01 (2,3,4)		26.6°F to 225°F
Model	Reference	Ø Suction	Ø Discharge	Ø Impeller	
1	GE 5G 600-4	1B0164S	6" F	5" F	12.400"
2	GE 5G 750-4	1B0165S	6" F	5" F	13.000"
3	GE 5G 1000-4	1B0166S	6" F	5" F	14.250"
4	GE 5G 1250-4	1B0167S	6" F	5" F	15.000"
4	GU 5G 4	1B0153S	6" F	5" F	15.000"

Motor Features			
Drive		Speed (rpm)	Frequency (Hz)
Electric		1800 (nominal)	60
Power (HP)	Phase	Voltage (V)	Frame
60	3	230/460	364JM
75	3	230/460	365JP
100	3	230/460	405JP
125	3	230/460	444JP
Frame Mounted			

Performance Curve

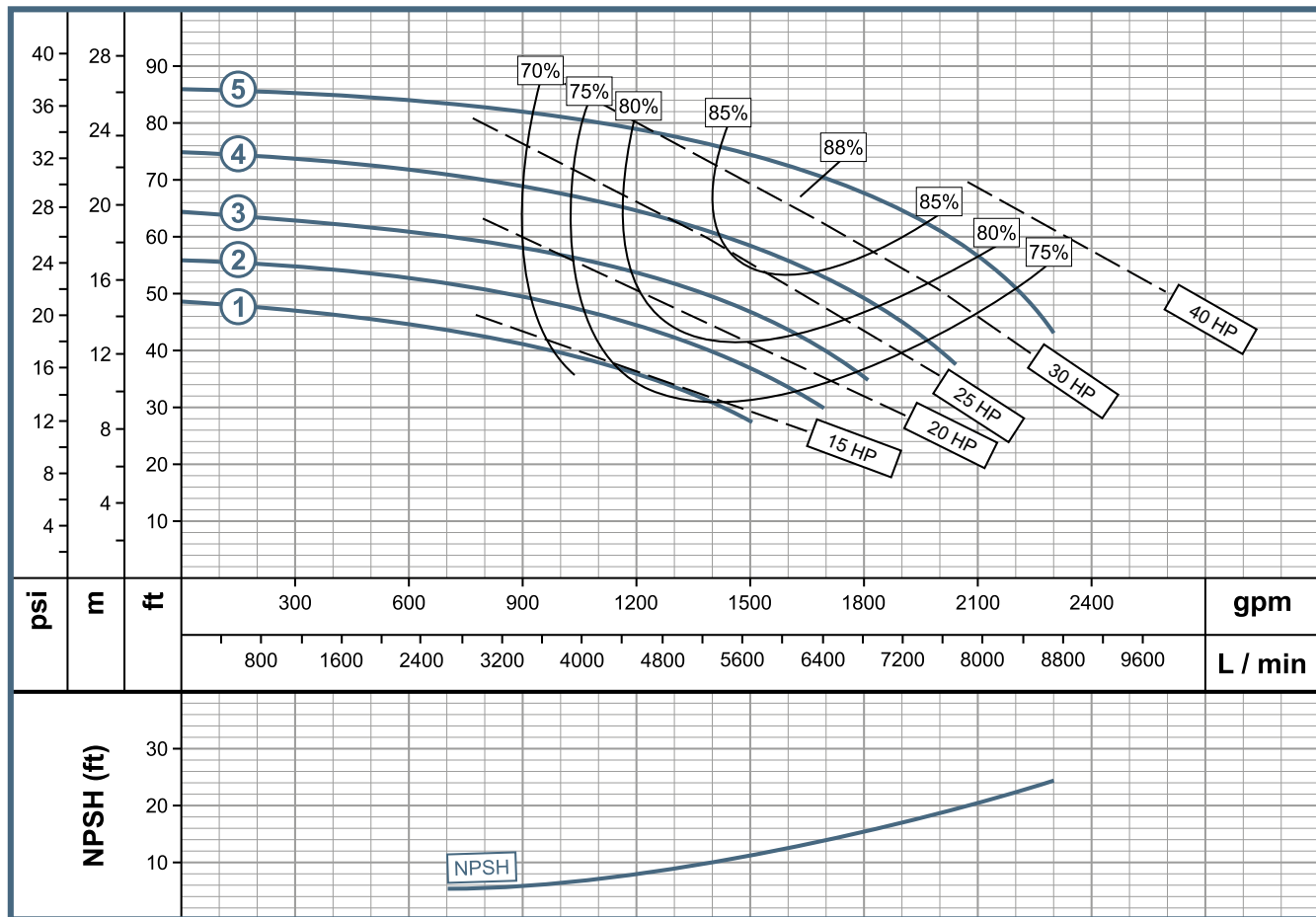


TEFC Enclosure as standard configuration.
 Technical features are subject to change without notice.

Pump Features					
Pump Type		Design		Impeller	
End Suction		Close Coupled / Frame Mounted		Enclosed, Stainless Steel. *	
Stages		Mechanical Seal		Fluid Temperature Range	
1		1 3/4" T21		26.6°F to 225°F	
Model	Reference	Ø Suction	Ø Discharge	Ø Impeller	
1	GE 6C 150-4	1B0060S	8" F	6" F	7.500"
2	GE 6C 200-4	1B0061S	8" F	6" F	8.500"
3	GE 6C 250-4	1B0062S	8" F	6" F	8.500"
4	GE 6C 300-4	1B0063S	8" F	6" F	9.000"
5	GE 6C 400-4	1B0064S	8" F	6" F	9.600"
5	GU 6C 2	1B0123S	8" F	6" F	9.600"

Motor Features			
Drive		Speed (rpm)	Frequency (Hz)
Electric		1800 (nominal)	60
Power (HP)	Phase	Voltage (V)	Frame
15	3	230/460	254JM
20	3	230/460	256JM
25	3	230/460	284JM
30	3	230/460	286JM
40	3	230/460	324JM
Frame Mounted			

Performance Curve



TEFC Enclosure as standard configuration.
 Technical features are subject to change without notice.

GS Pumps

- GE 6E 250-4
- GE 6E 300-4
- GE 6E 400-4
- GE 6E 500-4
- GE 6E 600-4
- GE 6E 750-4
- GU 6E 2

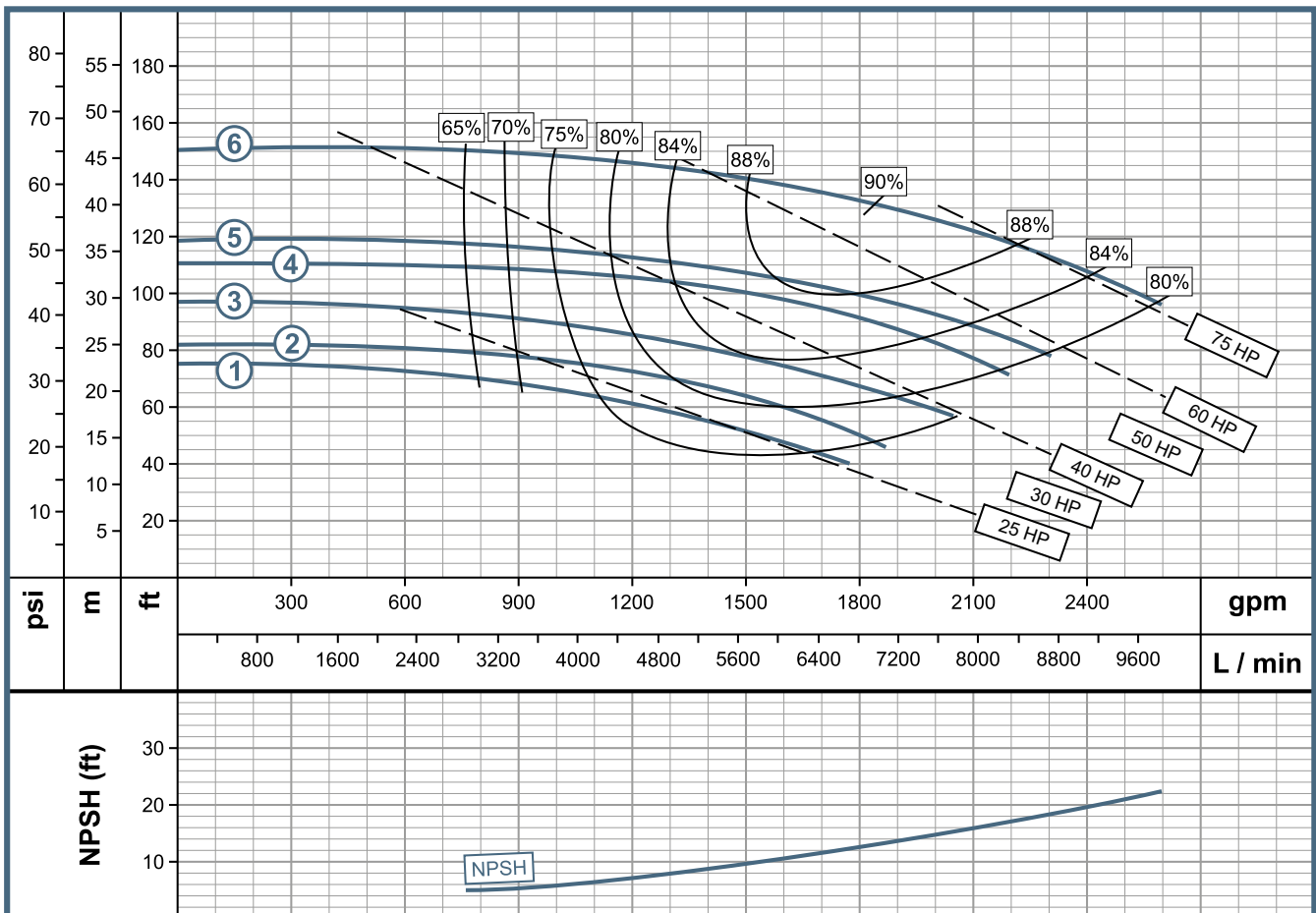


www.wdmpumps.com

Pump Features					
Pump Type		Design		Impeller	
End Suction		Close Coupled / Frame Mounted		Enclosed, Stainless Steel. *	
Stages		Mechanical Seal		Fluid Temperature Range	
1		1 3/4" T21 (1,2,3,4,5) / 2" T21 (6)		26.6°F to 225°F	
Model	Reference	Ø Suction	Ø Discharge	Ø Impeller	
1	GE 6E 250-4	1B0090S	8" F	6" F	9.500"
2	GE 6E 300-4	1B0255S	8" F	6" F	9.500"
3	GE 6E 400-4	1B0091S	8" F	6" F	10.000"
4	GE 6E 500-4	1B0256S	8" F	6" F	10.500"
5	GE 6E 600-4	1B0092S	8" F	6" F	11.000"
6	GE 6E 750-4	1B0093S	8" F	6" F	12.000"
6	GU 6E 2	1B0130S	8" F	6" F	12.000"

Motor Features			
Drive		Speed (rpm)	Frequency (Hz)
Electric		1800 (nominal)	60
Power (HP)	Phase	Voltage (V)	Frame
25	3	230/460	284JM
30	3	230/460	286JM
40	3	230/460	324JM
50	3	230/460	326JM
60	3	230/460	364JM
75	3	230/460	365JP
Frame Mounted			

Performance Curve

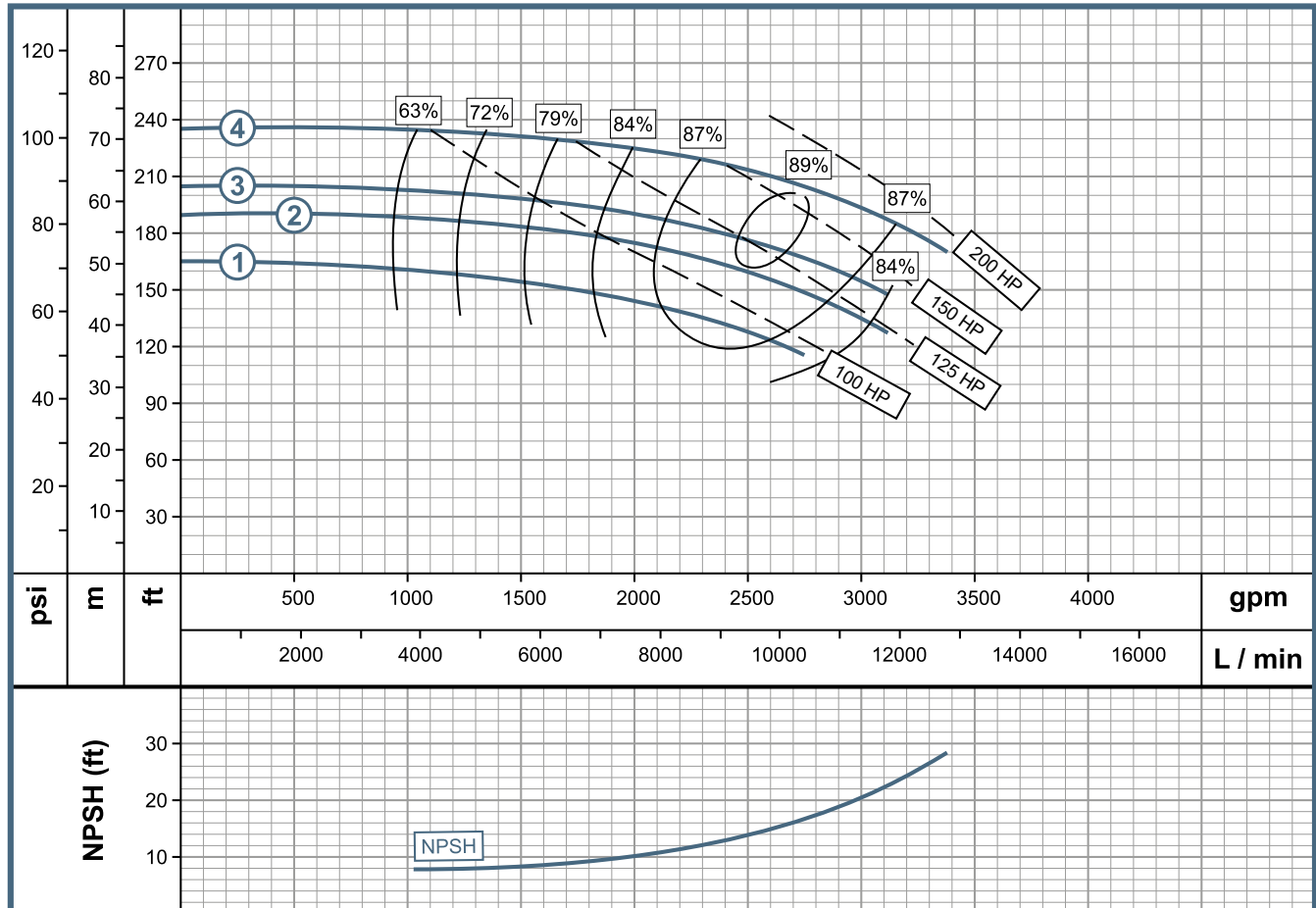


TEFC Enclosure as standard configuration.
 Technical features are subject to change without notice.

Pump Features					
Pump Type		Design		Impeller	
End Suction		Close Coupled / Frame Mounted		Enclosed, Stainless Steel. *	
Stages		Mechanical Seal		Fluid Temperature Range	
1		2 1/4" T21		26.6°F to 225°F	
Model	Reference	Ø Suction	Ø Discharge	Ø Impeller	
1	GE 6G 1000-4	1B0168S	8" F	6" F	12.750"
2	GE 6G 1250-4	1B0169S	8" F	6" F	13.500"
3	GE 6G 1500-4	1B0170S	8" F	6" F	14.000"
4	GE 6G 2000-4	1B0171S	8" F	6" F	15.000"
4	GU 6G 4	1B0154S	8" F	6" F	15.000"

Motor Features			
Drive		Speed (rpm)	Frequency (Hz)
Electric		1800 (nominal)	60
Power (HP)	Phase	Voltage (V)	Frame
100	3	230/460	405JP
125	3	230/460	444JP
150	3	230/460	444JP
200	3	230/460	445JP
Frame Mounted			

Performance Curve



TEFC Enclosure as standard configuration.
 Technical features are subject to change without notice.

GS Pumps

GE 8E 600-4
 GE 8E 750-4
 GE 8E 1000-4
 GE 8E 1250-4
 GU 8E 3

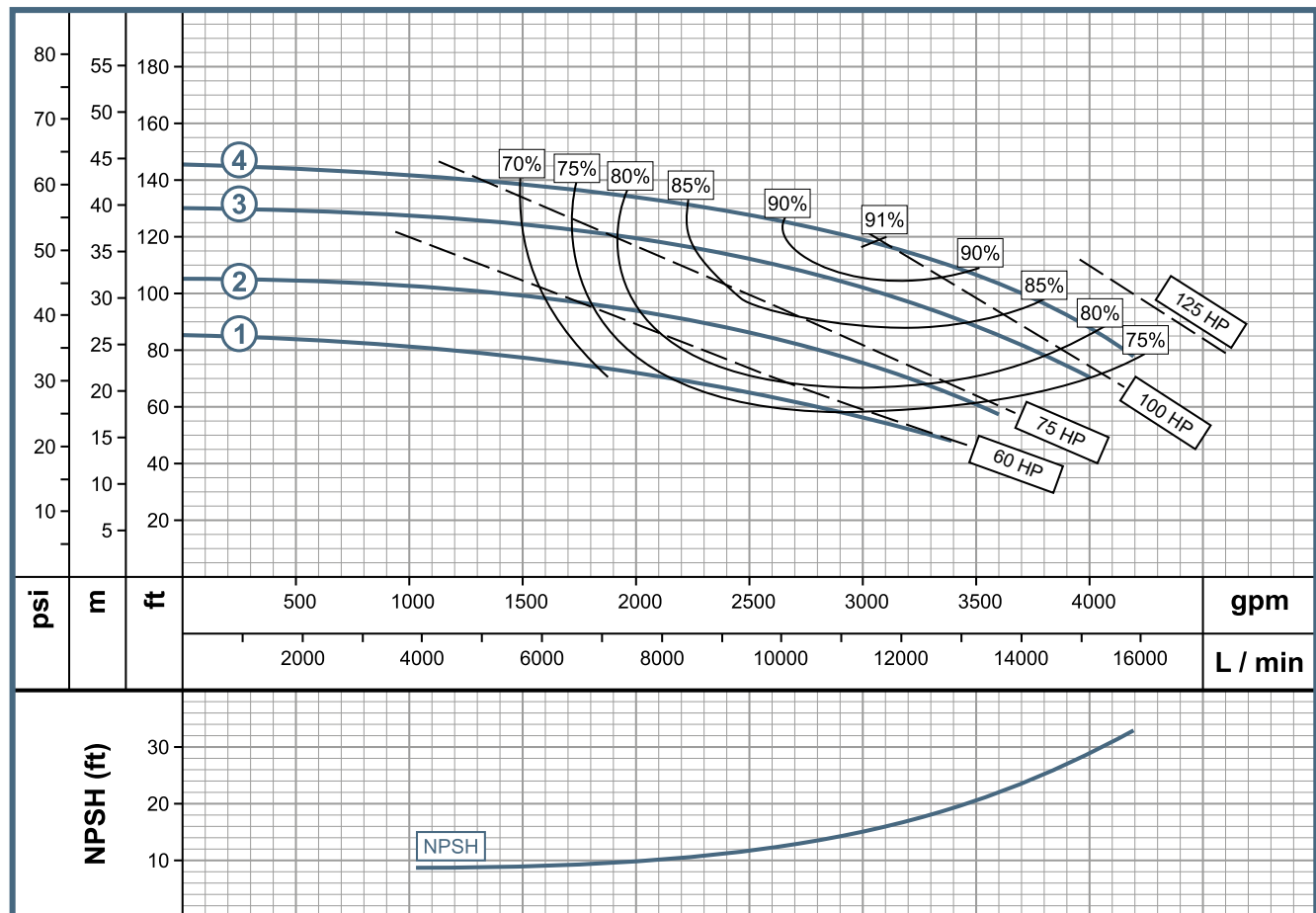


www.wdmpumps.com

Pump Features					
Pump Type		Design		Impeller	
End Suction		Close Coupled / Frame Mounted		Enclosed, Stainless Steel. *	
Stages		Mechanical Seal		Fluid Temperature Range	
1		1 3/4" T21 (1) / 2" T21 (2,3,4)		26.6°F to 225°F	
Model	Reference	Ø Suction	Ø Discharge	Ø Impeller	
1	GE 8E 600-4	1B0094S	10" F	8" F	9.550"
2	GE 8E 750-4	1B0095S	10" F	8" F	10.500"
3	GE 8E 1000-4	1B0096S	10" F	8" F	11.500"
4	GE 8E 1250-4	1B0097S	10" F	8" F	12.125"
4	GU 8E 3	1B0131S	10" F	8" F	12.125"

Motor Features			
Drive		Speed (rpm)	Frequency (Hz)
Electric		1800 (nominal)	60
Power (HP)	Phase	Voltage (V)	Frame
60	3	230/460	364JM
75	3	230/460	365JP
100	3	230/460	405JP
125	3	230/460	444JP
Frame Mounted			

Performance Curve



www.wdmpumps.com



- usasales@wdmpumps.com
- support@wdmpumps.com