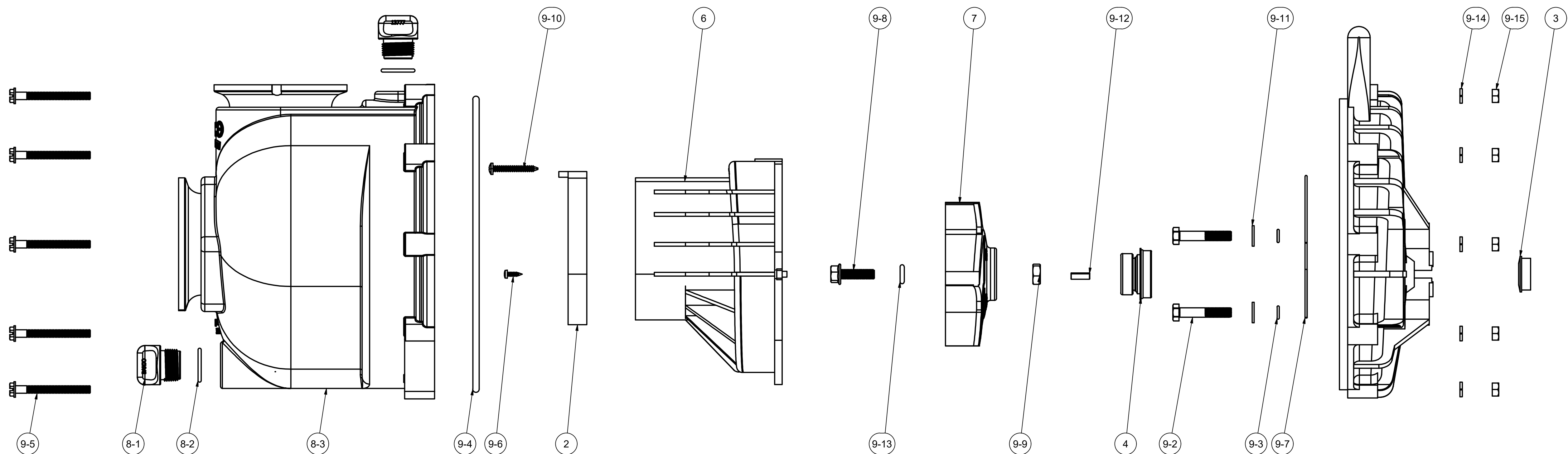


PARTS LIST			
ITEM	QTY	PART NUMBER	DESCRIPTION
1	1	12703A	POLY PUMP REAR BRACKET
2	1	12705	PUMP CHECKVALVE, EPDM
3	1	12716	PUMP SLINGER
4	1	12733	MECHANICAL SEAL ASSY
5	1	12910	DECAL (N/S)
6	1	13702	3" POLY PUMP VOLUTE
7	1	13771	3" POLY PUMP TRIMMED IMPELLER
8	1	M13712	3" MANIFOLD PUMP BODY ASSEMBLY
8-1	2	13777	3/4" DRAIN PLUG
8-2	2	13778	AS568A -119 O-RING, EPDM, BLACK
8-3	1	M13712Y	3" MNFLD POLY PUMP BODY ASSY.
9	1	PUMPKIT003	PUMPKIT
9-1	1	12710	AS268A -029 O-RING, EPDM
9-2	4	12715A	5/16-24 X 1 3/4" HHCS WITH TORQ-PATCH
9-3	4	12717	AS568A -011 O-RING, EPDM
9-4	1	12719A	AS568A -375 O-RING, EPDM, BLACK
9-5	10	12720	1/4-20 X 2 1/2" SL IND HWHS
9-6	2	12725	#6 X 1/2" PPH SMS
9-7	1	12754	O'RING SEGMENT
9-8	1	12765A	5/16-24 X 1 1/8" HFS
9-9	1	12775A	7/16-14 HEX NUT
9-10	1	12900	#10 X 1 1/2" PPH SMS
9-11	4	12901	5/16" FLAT WASHER
9-12	1	12902A	3/16" SQ. X 5/8" KEY
9-13	1	A204	AS568A -204 O-RING, EPDM, BLACK
9-14	10	V07018	1/4" LOCKWASHER
9-15	10	V07019	1/4-20 HEX NUT



THIS DRAWING AND ALL INFORMATION CONTAINED THEREON ARE THE EXCLUSIVE PROPERTY OF BANJO CORPORATION.

UNLESS SPECIFICALLY NOTED, THIS DRAWING AND ITEMS SHOWN ON THIS DRAWING ARE SUBJECT TO CHANGE AT ANY TIME.

BANJO CORPORATION
 150 BANJO DRIVE, CRAWFORDSVILLE, IN 47933
 WEB SITE: WWW.BANJO.CORP.COM
 E-MAIL: BANJOSALES@DEXCORP.COM

DESCRIPTION
3" MANIFOLD POLY PUMP ONLY

PART NUMBER
M300PO