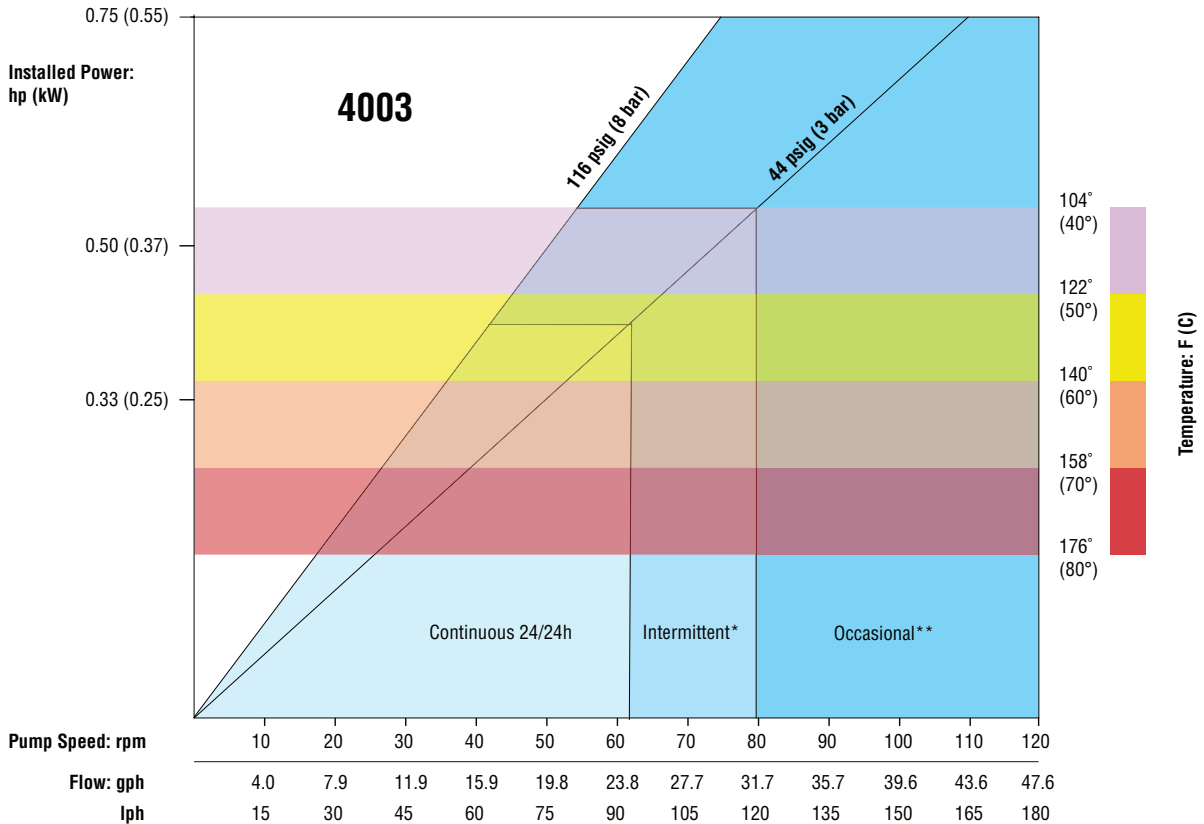


MODEL 4003 PUMP DATA

Performance



Fluid Characteristics

Viscosity:	100,000 cps max.
Liquid Temperature:	180°F (82°C) max.
Solid Size:	(see page 4)
Fiber Length:	2-3/8 inch (60 mm) max.

Materials of Construction

Casing:	Ductile Iron
Rotor:	Ductile Iron
Wheel:	Ductile Iron
Frame:	Steel
Cover:	Lexan
Casing O-ring Seal:	Nitrile
Hose Materials:	NR/NBR/EPDM/Hypalon

Specifications

Discharge Pressure:	110 psig (7.6 bar) max.
Suction Lift (sea level):	29.5 ft (9 m) max.
Suction Pressure:	21.8 psig (1.5 bar) max.
NPSHr:	4 ft
Horsepower*:	0.75 max
Hose Size:	10 x 32 x 570 mm
Displacement:	0.0066 gal/rev
Lubrication Fluid:	.37 qts (.35 L) max.
Lubricant:	Glycerine / Glycol
Weight (pump only):	22 lbs. (10 kg)
Weight (with drive):	55 lbs. (25 kg)

* Pumps are shaft driven and require a gearbox and motor.
See Ordering Information on following page for details.

Model 4003 Ordering Information

A complete Vector pump order number uses a 10-character order code to identify the desired hose, fittings and drive. Select the appropriate items from the chart to the right and use the order code from each group to complete the pump assembly order number.



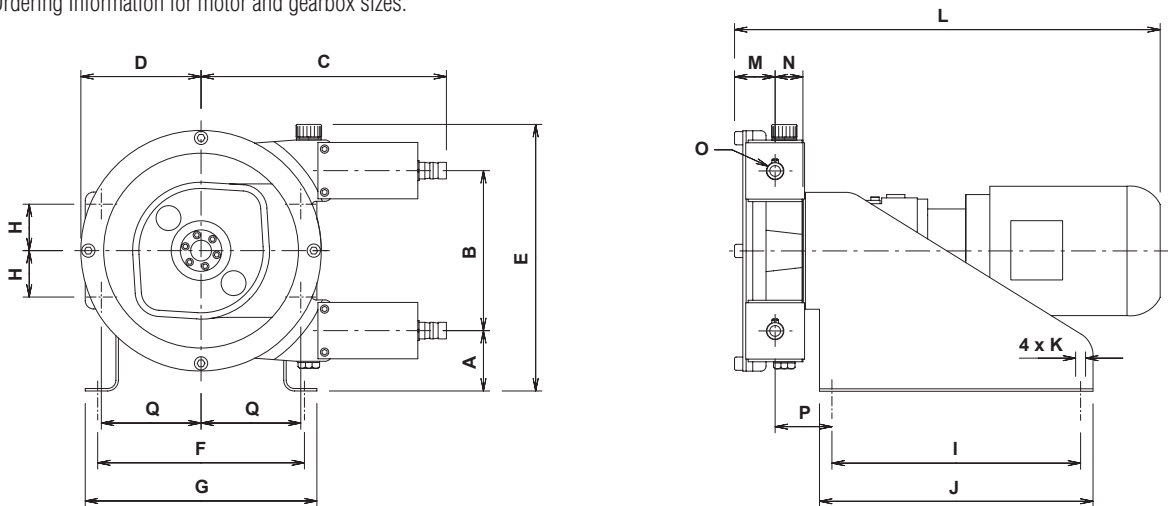
1	2	3	4	5	6	7	8	9	10
4	0	0	3	-		-		-	

Order Digit	Order Code	Description
1-4	4003	Pump Designation Model 4003 Shaft Drive Pump
5-6	MF	Hose Material (fiber-braided) Natural Rubber
	BF	NBR, Oil-rated
	EF	EPDM
	HF	Hypalon
7-8	SS	Connector Material/Style 316 SST 3/4" Hose Barb
	PP	Polypropylene 3/4" Hose Barb
	MM	PVDF 3/4" Hose Barb
9-10		Drive
		Flow GPH
		Gear Ratio
		Pump RPM
		Max Psig
		BHP
		3Ø, TEFC, 230/460 VAC, 60 Hz
		4:1 Inverter Duty Turndown
	B2	7.0 92:1 18 116* 3/4
	D2	14.0 48:1 36 116* 3/4
	F2	21.0 32:1 54 116* 3/4
	H2	27.0 25:1 69 116* 3/4
	J2	42.0 16:1 108 44 3/4

Fluid Viscosity	Pressure Range*
0 - 250 cps	0 - 75 psig
250 - 100,000 cps	0 - 116 psig

Dimensional Drawings

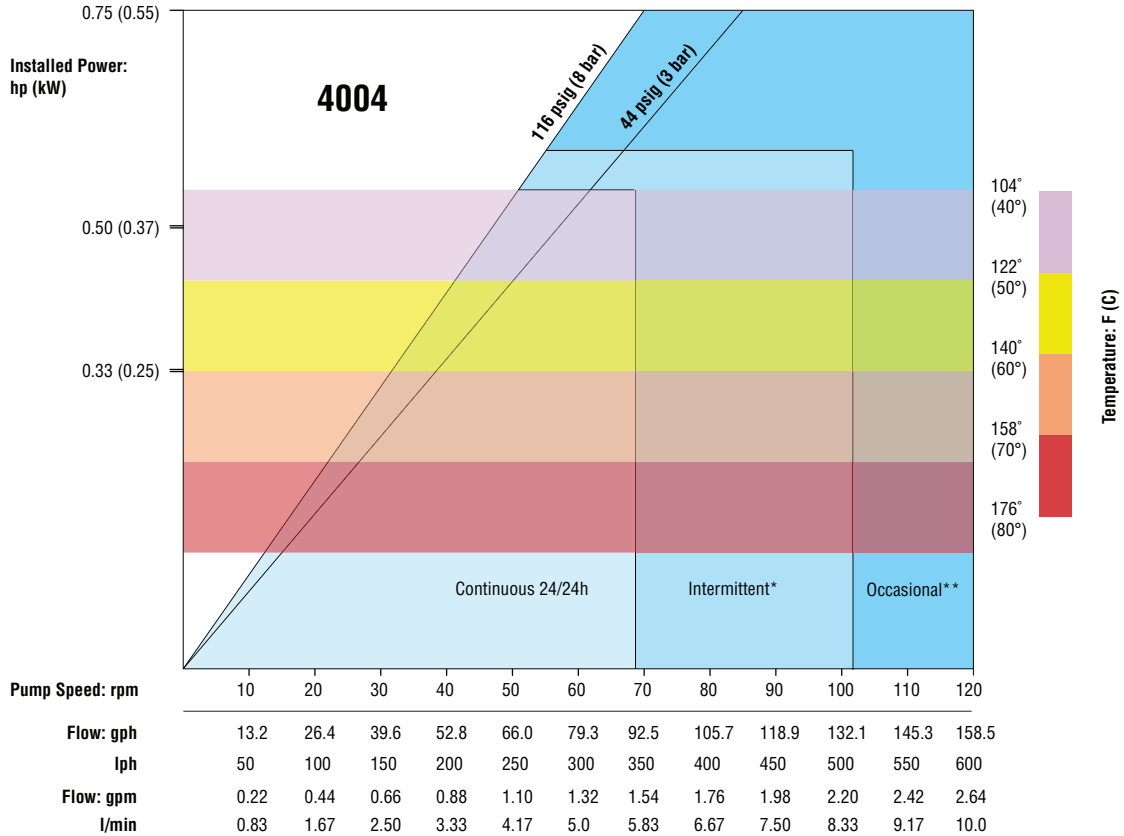
See Ordering Information for motor and gearbox sizes.



	A	B	C	D	E	F	G	H	I	J	K	M	N	O	P	Q
Inches	4.1	4.5	8.9	3.7	10.7	8.7	9.5	1.3	10.24	11.02		1.71	1.36		3.20	3.2
mm	103.5	115	225.5	95	271	220	240	33.5	260	280	4xØ9	43.5	34.5	Ø16	81.25	81.25

MODEL 4004 PUMP DATA

Performance



* Intermittent use: Minimum of 1 hour stop after 2 hours use ** Occasional use: Maximum 1 hour per day

Fluid Characteristics

Viscosity:	100,000 cps max.
Liquid Temperature:	180°F (82°C) max.
Solid Size:	(see page 4)
Fiber Length:	2-3/4 inch (70 mm) max.

Materials of Construction

Casing:	Ductile Iron
Rotor:	Ductile Iron
Wheel:	Ductile Iron
Frame:	Steel
Cover:	Lexan
Casing O-ring Seal:	Nitrile
Hose Materials:	NR/NBR/EPDM/Hypalon

Specifications

Discharge Pressure:	110 psig (7.6 bar) max.
Suction Lift (sea level):	29.5 ft (9 m) max.
Suction Pressure:	21.8 psig (1.5 bar) max.
NPSHr:	4 ft
Horsepower:*	0.75 max
Hose Size:	15 x 37 x 830 mm
Displacement:	0.022 gal/rev
Lubrication Fluid:	.42 qts (.4 L) max.
Lubricant:	Glycerine / Glycol
Weight (pump only):	49 lbs. (22 kg)
Weight (with drive):	77 lbs. (49 kg)

* Pumps are shaft driven and require a gearbox and motor. See Ordering Information on following page for details.

Model 4004 Ordering Information

A complete Vector pump order number uses a 10-character order code to identify the desired hose, fittings and drive. Select the appropriate items from the chart to the right and use the order code from each group to complete the pump assembly order number.



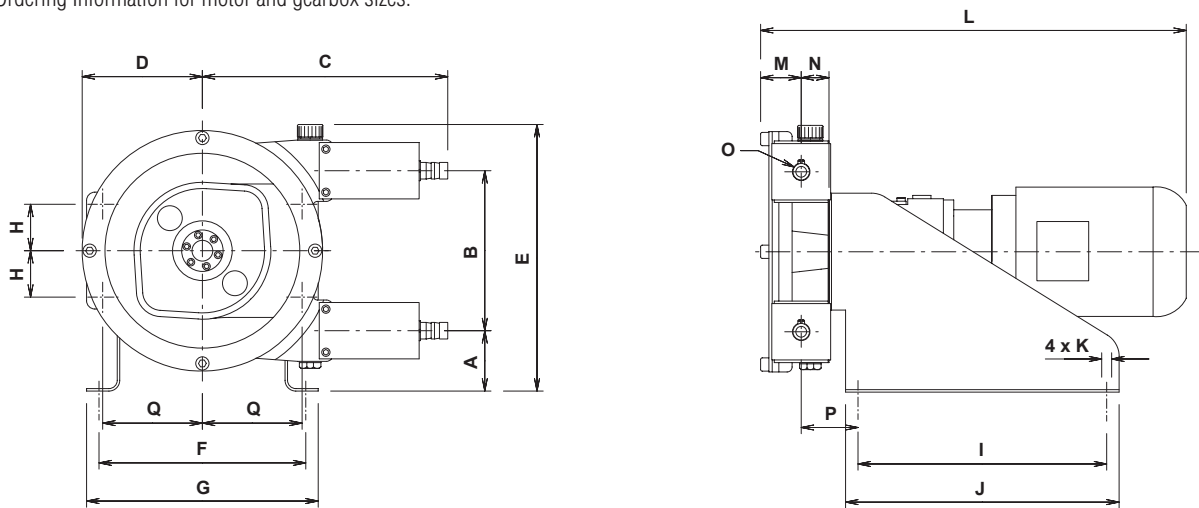
1	2	3	4	5	6	7	8	9	10
4	0	0	4	-		-		-	

Order Digit	Order Code	Description
1-4	4004	Pump Designation Model 4004 Shaft Drive Pump
5-6	MF BF EF HF	Hose Material (fiber-braided) Natural Rubber NBR, Oil-rated EPDM Hypalon
7-8	SS PP MM	Connector Material/Style 316 SST 3/4" Hose Barb Polypropylene 3/4" Hose Barb PVDF 3/4" Hose Barb
9-10	B2 D2 F2 H2 J2	Drive Flow GPH Gear Ratio Pump RPM Max Psig BHP 3Ø, TEFC, 230/460 VAC, 60 Hz 4:1 Inverter Duty Turndown 23.7 92:1 18 116* 3/4 47.2 48:1 36 116* 3/4 71.0 32:1 54 116* 1 91.0 25:1 69 100* 1 115.7 20:1 88 45 1

Fluid Viscosity	Pressure Range*
0 - 250 cps	0 - 75 psig
250 - 100,000 cps	0 - 116 psig

Dimensional Drawings

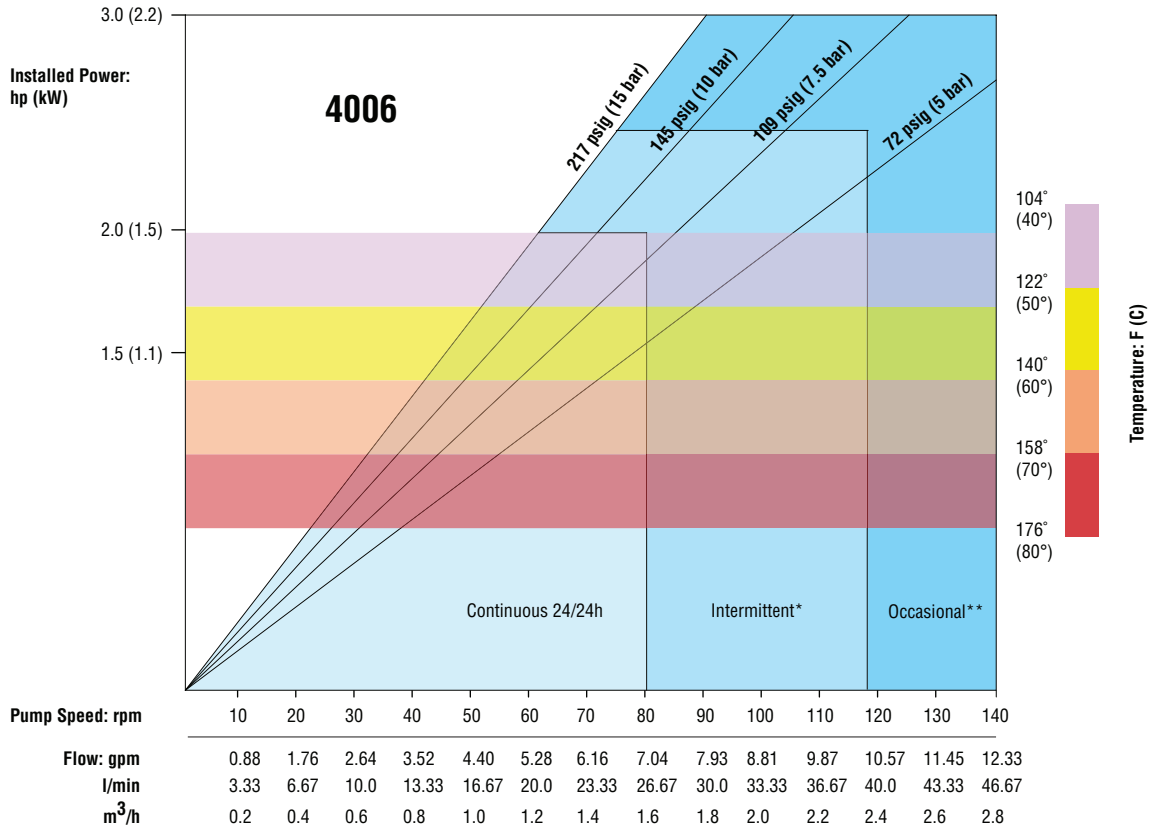
See Ordering Information for motor and gearbox sizes.



	A	B	C	D	E	F	G	H	I	J	K	M	N	O	P	Q
Inches	2.9	7.6	11.7	5.7	12.7	9.8	11.0	2.0	11.8	13.0		1.9	1.4		2.8	4.9
mm	73	193	296	145	322	250	280	51.5	300	330	4xØ13	49	35.5	Ø20*	70.5	124.5

MODEL 4006 PUMP DATA

Performance



Fluid Characteristics

Viscosity:	100,000 cps max.
Liquid Temperature:	180°F (82°C) max.
Solid Size:	(see page 4)
Fiber Length:	6 inch (150 mm) max.

Materials of Construction

Casing:	Ductile Iron
Rotor:	Ductile Iron
Shoes:	Aluminium
Frame:	Steel
Cover:	Electroplated Steel
Casing O-ring Seal:	Nitrile
Hose Materials:	NR/NBR/EPDM/Hypalon

Specifications

Discharge Pressure:	218 psig (15 bar) max.
Suction Lift (sea level):	29.5 ft (9 m) max.
Suction Pressure:	21.8 psig (1.5 bar) max.
NPSHr:	4 ft
Horsepower:*	3.0 max.
Hose Size:	25 x 54 x 1090 mm
Displacement:	0.088 gal/rev
Lubrication Fluid:	2.22 qts (2.1 L) max.
Lubricant:	Glycerine / Glycol
Weight (pump only):	112 lbs. (51 kg)
Weight (with drive):	176 lbs. (80 kg)

* Pumps are shaft driven and require a gearbox and motor. See Ordering Information on following page for details.

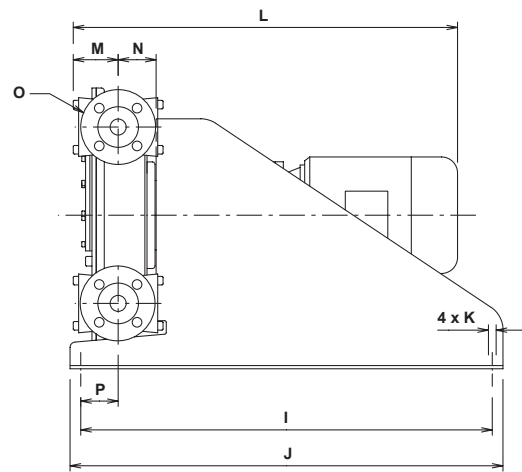
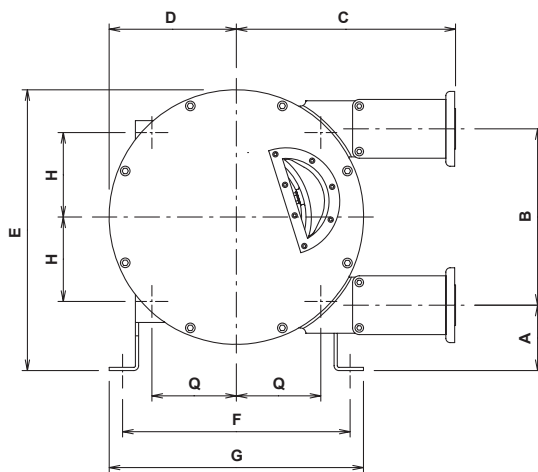
Model 4006 Ordering Information

A complete Vector pump order number uses a 10-character order code to identify the desired hose, fittings and drive. Select the appropriate items from the chart to the right and use the order code from each group to complete the pump assembly order number.



Dimensional Drawings

See Ordering Information for motor and gearbox sizes.



	A	B	C	D	E	F	G	H	I	J	K	M	N	O	P	Q
Inches	3.7	10.3	14.0	7.5	16.4	12.3	13.9	4.3	22.1	23.6	2.6	2.7	1" 150 lb	2.7	4.3	
mm	95	262	355.5	190	416	312	352	110	560	600	4xø13	65	69	ANSI	69	110

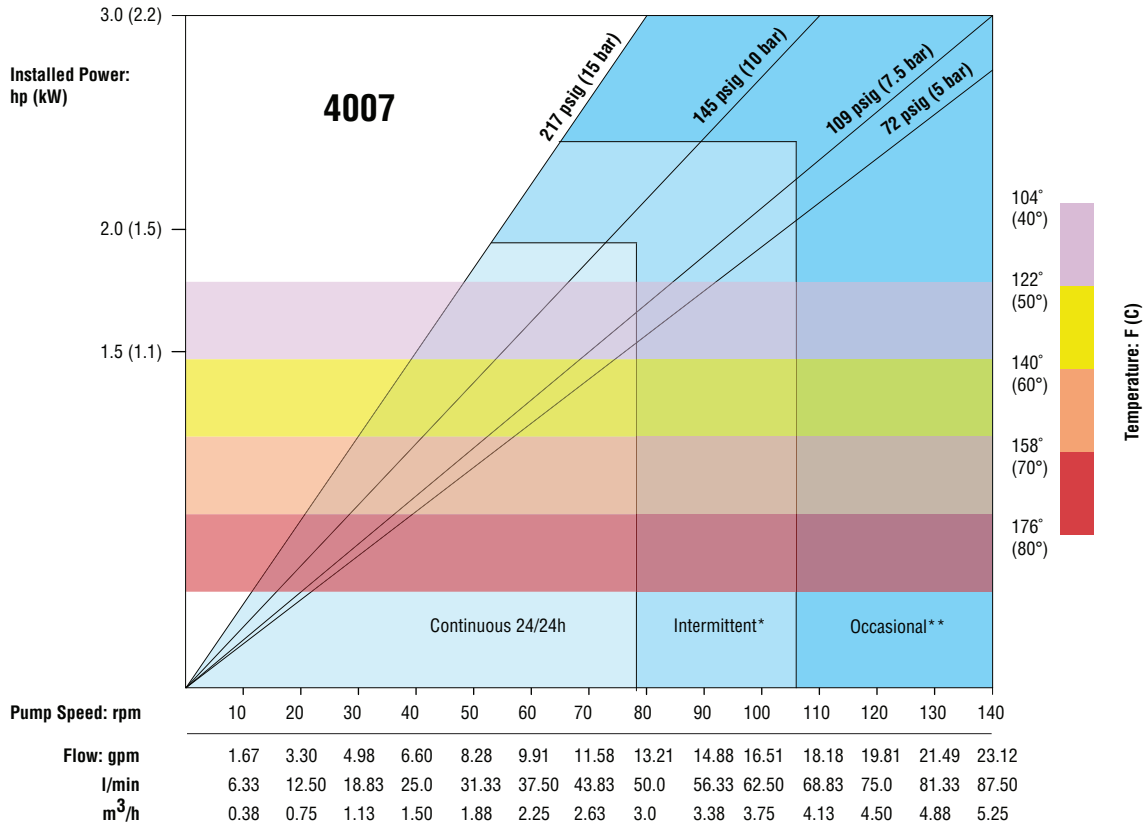
1	2	3	4	5	6	7	8	9	10
4	0	0	6	-		-		-	

Order Digit	Order Code	Description				
1-4	4006	Pump Designation Model 4006 Shaft Drive Pump				
5-6	MF	Hose Material (fiber-braided) Natural Rubber				
	BF	NBR, Oil-rated				
	EF	EPDM				
	HF	Hypalon				
7-8	BB	Connector Material/Style 316 SST insert w/ 316 SST 1" 150 Lb ANSI flange				
	PP	Polypropylene insert w/ 316 SST 1" 150 Lb ANSI flange				
	MM	PVDF insert w/ 316 SST 1" 150 Lb ANSI flange				
9-10		Drive				
		Flow GPM				
		Gear Ratio				
		Pump RPM				
		Max Psig				
		BHP				
		3Ø, TEFC, 230/460 VAC, 60 Hz				
		4:1 Inverter Duty Turndown				
	B2	1.5	97:1	18	217*	1.5
	D2	2.8	54:1	32	217*	2
	F2	3.9	39:1	45	217*	3
	H2	5.5	28:1	63	217*	3
	J2	7.6	20:1	87	140*	3
	K2	8.8	17:1	100	140*	3

Fluid Viscosity	Pressure Range*
0 - 250 cps	0 - 75 psig
250 - 100,000 cps	0 - 217 psig

MODEL 4007 PUMP DATA

Performance



Fluid Characteristics

Viscosity:	100,000 cps max.
Liquid Temperature:	180°F (82°C) max.
Solid Size:	(see page 4)
Fiber Length:	7-7/8 inch (300 mm) max.

Materials of Construction

Casing:	Ductile Iron
Rotor:	Ductile Iron
Shoes:	Aluminium
Frame:	Steel
Cover:	Electroplated Steel
Casing O-ring Seal:	Nitrile
Hose Materials:	NR/NBR/EPDM/Hypalon

Specifications

Discharge Pressure:	218 psig (15 bar) max.
Suction Lift (sea level):	29.5 ft (9 m) max.
Suction Pressure:	21.8 psig (1.5 bar) max.
NPSHr:	4 ft
Horsepower:*	3.0 max.
Hose Size:	32 x 63 x 1300 mm
Displacement:	0.165 gal/rev
Lubrication Fluid:	2.64 qts (2.5 L)
Lubricant:	Glycerine / Glycol
Weight (pump only):	194 lbs. (88 kg)
Weight (with drive):	287 lbs. (130 kg)

* Pumps are shaft driven and require a gearbox and motor. See Ordering Information on following page for details.

Model 4007 Ordering Information

A complete Vector pump order number uses a 10-character order code to identify the desired hose, fittings and drive. Select the appropriate items from the chart to the right and use the order code from each group to complete the pump assembly order number.

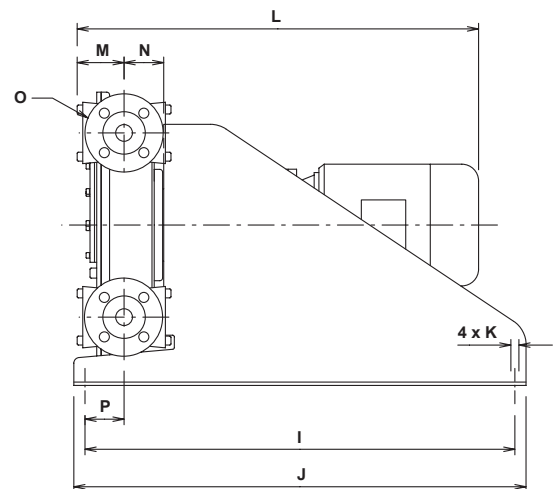
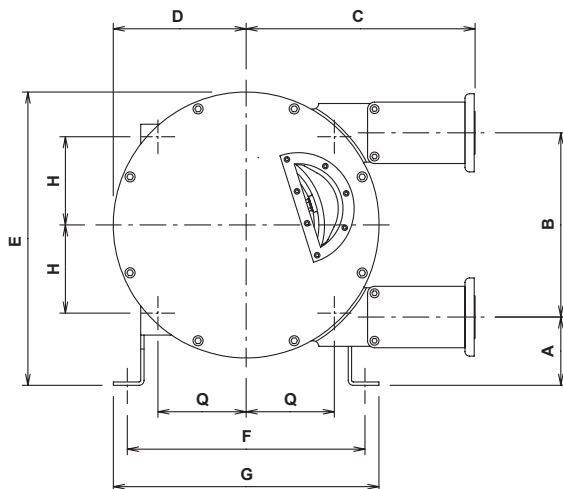


1	2	3	4	5	6	7	8	9	10
4	0	0	7	-		-		-	

Order Digit	Order Code	Description				
1-4	4007	Pump Designation Model 4007 Shaft Drive Pump				
5-6	MF	Hose Material (fiber-braided) Natural Rubber				
	BF	NBR, Oil-rated				
	EF	EPDM				
	HF	Hypalon				
7-8	BB	Connector Material/Style 316 SST insert w/ 316 SST 1-1/2" 150 Lb ANSI flange				
	PP	Polypropylene insert w/ 316 SST 1-1/2" 150 Lb ANSI flange				
	MM	PVDF insert w/ 316 SST 1-1/2" 150 Lb ANSI flange				
9-10		Drive				
		Flow GPM				
		Gear Ratio				
		Pump RPM				
		Max Psig				
		BHP				
		3Ø, TEFC, 230/460 VAC, 60 Hz				
		4:1 Inverter Duty Turndown				
	B2	2.9	97:1	18	217*	1.5
	D2	5.3	54:1	32	217*	2
	F2	7.4	39:1	45	217*	3
	H2	10.4	28:1	63	217*	3
	J2	14.3	20:1	87	140*	3
	K2	16.5	17:1	100	140*	3

Dimensional Drawings

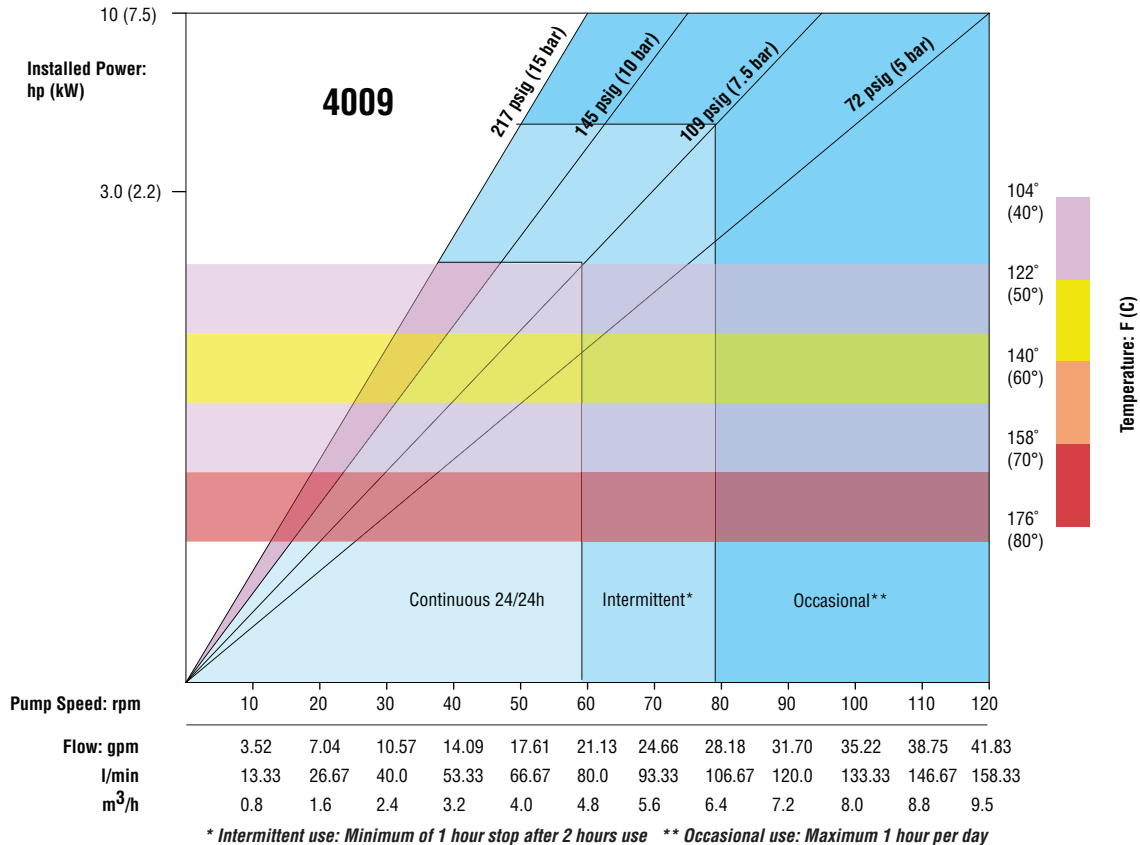
See Ordering Information for motor and gearbox sizes.



	A	B	C	D	E	F	G	H	I	J	K	M	N	O	P	Q
Inches	4.8	13.0	17.2	9.4	20.7	16.8	18.7	6.2	30.3	31.9	3.3	3.5	1.5" 150 lb	3.6	6.2	
mm	122.5	330	435.5	238	525.5	426	476	157.75	770	810	4xØ13	83	89	ANSI	91	157.75

MODEL 4009 PUMP DATA

Performance



Fluid Characteristics

Viscosity:	100,000 cps max.
Liquid Temperature:	180°F (82°C) max.
Solid Size:	(see page 4)
Fiber Length:	11-7/8 inch (300 mm) max.

Materials of Construction

Casing:	Ductile Iron
Rotor:	Ductile Iron
Shoes:	Aluminium
Frame:	Steel
Cover:	Steel
Casing O-ring Seal:	Nitrile
Hose Materials:	NR/NBR/EPDM/Hypalon

Specifications

Discharge Pressure:	218 psig (15 bar) max.
Suction Lift (sea level):	29.5 ft (9 m) max.
Suction Pressure:	21.8 psig (1.5 bar) max.
NPSHr:	4 ft
Horsepower:*	5.0 max.
Hose Size:	40 x 67 x 1500 mm
Displacement:	0.352 gal/rev
Lubrication Fluid:	5.28 qts (5 L)
Lubricant:	Glycerine / Glycol.
Weight (pump only):	203 lbs. (92 kg)
Weight (with drive):	463 lbs. (210 kg)

* Pumps are shaft driven and require a gearbox and motor.
See Ordering Information on following page for details.

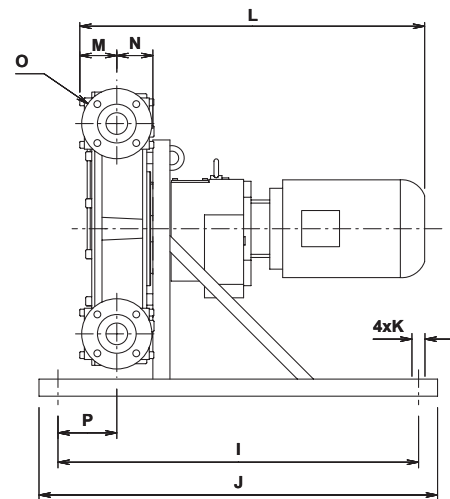
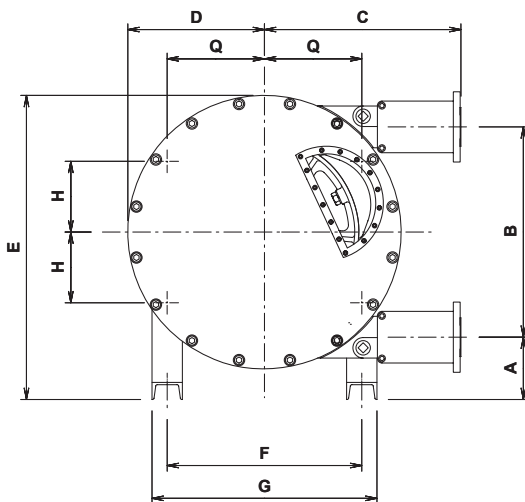
Model 4009 Ordering Information

A complete Vector pump order number uses a 10-character order code to identify the desired hose, fittings and drive. Select the appropriate items from the chart to the right and use the order code from each group to complete the pump assembly order number.



Dimensional Drawings

See Ordering Information for motor and gearbox sizes.



	A	B	C	D	E	F	G	H	I	J	K	M	N	O	P	Q
Inches	4.3	16.9	15.8	11.5	24.3	13.4	16.5	6.7	33.5	37.4		2.9	3.5	1.5" 150 lb	3.4	6.7
mm	110	430	400	291	616	340	420	170	850	950	4xø19	73	88	ANSI	87	170

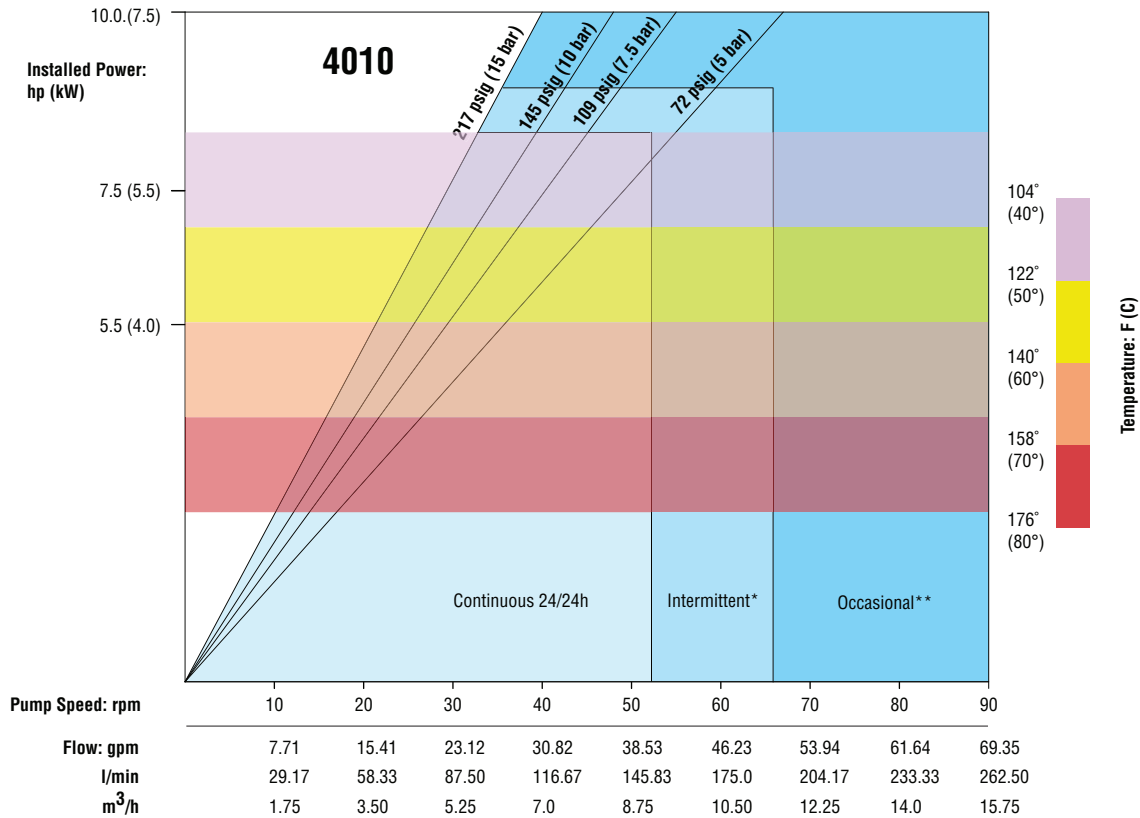
1	2	3	4	5	6	7	8	9	10
4	0	0	9	-		-		-	

Order Digit	Order Code	Description
1-4		Pump Designation
	4009	Model 4009 Shaft Drive Pump
5-6		Hose Material (fiber-braided)
	MF	Natural Rubber
	BF	NBR, Oil-rated
	EF	EPDM
	HF	Hypalon
7-8		Connector Material/Style
	BB	316 SST insert w/ 316 SST 1-1/2" 150 Lb ANSI flange
	PP	Polypropylene insert w/ 316 SST 1-1/2" 150 Lb ANSI flange
	MM	PVDF insert w/ 316 SST 1-1/2" 150 Lb ANSI flange
9-10		Drive
		Flow GPM
		Gear Ratio
		Pump RPM
		Max Psig
		BHP
		3Ø, TEFC, 230/460 VAC, 60 Hz
		4:1 Inverter Duty Turndown
	B2	8.4
	D2	12.6
	F2	15.8
	H2	19.0
	J2	24.7
	K2	35.9
		72:1
		24
		36
		45
		54
		70
		102
		217*
		217*
		217*
		160*
		120*
		72
		3
		5
		5
		5
		7.5
		7.5

Fluid Viscosity	Pressure Range*
0 - 250 cps	0 - 75 psig
250 - 100,000 cps	0 - 217 psig

MODEL 4010 PUMP DATA

Performance



* Intermittent use: Minimum of 1 hour stop after 2 hours use ** Occasional use: Maximum 1 hour per day

Fluid Characteristics

Viscosity:	100,000 cps max.
Liquid Temperature:	180°F (82°C) max.
Solid Size:	(see page 4)
Fiber Length:	19-5/8 inch (500 mm) max.

Materials of Construction

Casing:	Ductile Iron
Rotor:	Ductile Iron
Shoes:	Cast Iron
Frame:	Steel
Cover:	Steel
Casing O-ring Seal:	Nitrile
Hose Materials:	NR/NBR/EPDM/Hypalon

Specifications

Discharge Pressure:	218 psig (15 bar) max.
Suction Lift (sea level):	29.5 ft (9 m) max.
Suction Pressure:	21.8 psig (1.5 bar) max.
NPSHr:	4 ft
Horsepower:*	10 max.
Hose Size:	51 x 81 x 1820 mm
Displacement:	0.77 gal/rev
Lubrication Fluid:	10.57 qts (10 L)
Lubricant:	Glycerine / Glycol
Weight (pump only):	430 lbs. (195 kg)
Weight (with drive):	694 lbs. (315 kg)

* Pumps are shaft driven and require a gearbox and motor. See Ordering Information on following page for details.

Model 4010 Ordering Information

A complete Vector pump order number uses a 10-character order code to identify the desired hose, fittings and drive. Select the appropriate items from the chart to the right and use the order code from each group to complete the pump assembly order number.

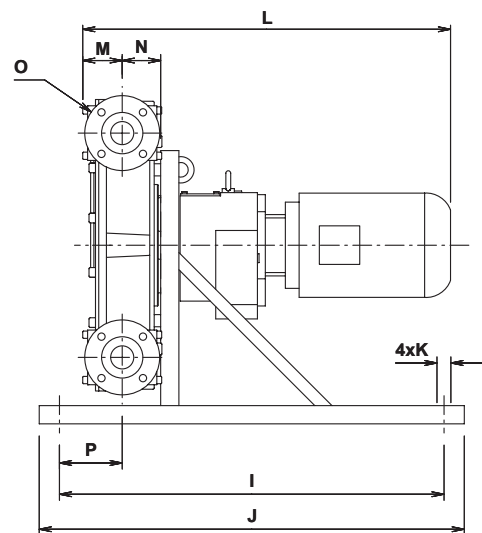
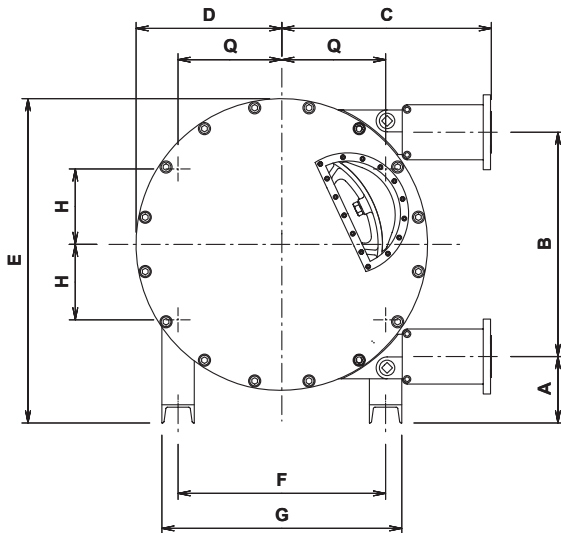


1	2	3	4	5	6	7	8	9	10
4	0	1	0	-		-		-	

Order Digit	Order Code	Description
1-4	4010	Pump Designation Model 4010 Shaft Drive Pump
5-6		Hose Material (fiber-braided)
	MF	Natural Rubber
	BF	NBR, Oil-rated
	EF	EPDM
	HF	Hypalon
7-8		Connector Material/Style
	BB	316 SST insert w/ 316 SST 2" 150 Lb ANSI flange
	PP	Polypropylene insert w/ 316 SST 2" 150 Lb ANSI flange
	MM	PVDF insert w/ 316 SST 2" 150 Lb ANSI flange
9-10		Drive
		Flow GPM
		Gear Ratio
		Pump RPM
		Max Psig
		BHP
		3Ø, TEFC, 230/460 VAC, 60 Hz
		4:1 Inverter Duty Turndown
	B2	19.0 71:1 25 217* 7.5
	D2	26.9 50:1 35 217* 10
	F2	36.9 37:1 48 100* 10
	H2	47.7 28:1 62 72 10
	J2	58.5 23:1 76 45 10

Dimensional Drawings

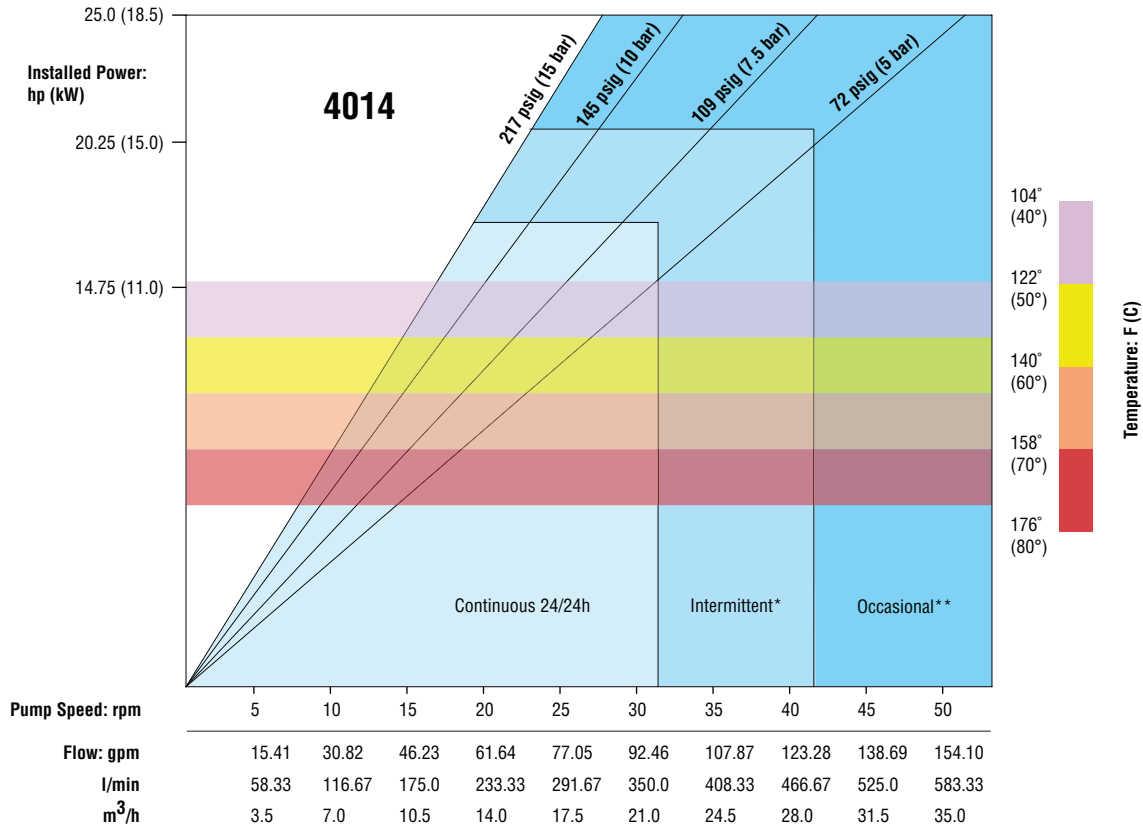
See Ordering Information for motor and gearbox sizes.



	A	B	C	D	E	F	G	H	I	J	K	M	N	O	P	Q
Inches	6.5	21.8	20.4	14.2	31.6	20.2	23.4	7.3	37.4	41.3	3.8	4.0	2" lb	6.4	10.1	
mm	164.5	554	517.5	360	801.5	513	593	186	950	1050	4xØ19	97.5	102	ANSI	162	256.5

MODEL 4014 PUMP DATA

Performance



* Intermittent use: Minimum of 1 hour stop after 2 hours use ** Occasional use: Maximum 1 hour per day

Fluid Characteristics

Viscosity:	100,000 cps max.
Liquid Temperature:	180°F (82°C) max.
Solid Size:	(see page 4)
Fiber Length:	39-5/8 inch (1000 mm) max.

Materials of Construction

Casing:	Ductile Iron
Rotor:	Ductile Iron
Shoes:	Cast Iron
Frame:	Steel
Cover:	Steel
Casing O-ring Seal:	Nitrile
Hose Materials:	NR/NBR/EPDM/Hypalon

Specifications

Discharge Pressure:	218 psig (15 bar) max.
Suction Lift (sea level):	29.5 ft (9 m) max.
Suction Pressure:	21.8 psig (1.5 bar) max.
NPSHr:	4 ft
Horsepower:*	25 max.
Hose Size:	80 x 123 x 2910 mm
Displacement:	3.0823 gal/rev
Lubrication Fluid:	42.27 qts (40 L)
Lubricant:	Glycerine / Glycol
Weight (pump only):	1,323 lbs. (600 kg)
Weight (with drive):	2,050 lbs. (930 kg)

* Pumps are shaft driven and require a gearbox and motor.
See Ordering Information on following page for details.

Model 4014 Ordering Information

A complete Vector pump order number uses a 10-character order code to identify the desired hose, fittings and drive. Select the appropriate items from the chart to the right and use the order code from each group to complete the pump assembly order number.



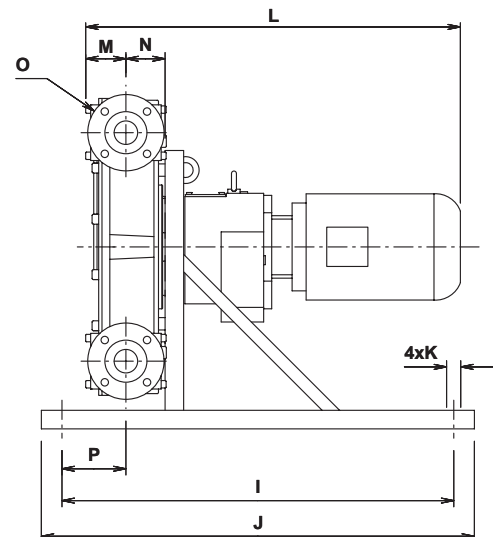
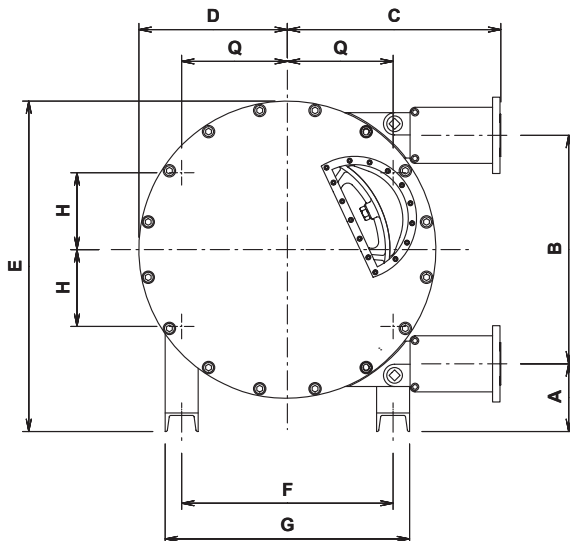
1	2	3	4	5	6	7	8	9	10
4	0	1	4	-		-		-	

Order Digit	Order Code	Description
1-4	4014	Pump Designation Model 4014 Shaft Drive Pump
5-6	MF	Hose Material (fiber-braided) Natural Rubber
	BF	NBR, Oil-rated
	EF	EPDM
	HF	Hypalon
7-8	BB	Connector Material/Style 316 SST insert w/ 316 SST 3" 150 Lb ANSI flange
	PP	Polypropylene insert w/ 316 SST 3" 150 Lb ANSI flange
	MM	PVDF insert w/ 316 SST 3" 150 Lb ANSI flange
9-10		Drive
	B2	46.2 GPM, 120:1 Gear Ratio, 15 RPM, 217* Max Psig, 15 BHP
	D2	63.0 GPM, 83:1 Gear Ratio, 21 RPM, 217* Max Psig, 20 BHP
	F2	89.3 GPM, 61:1 Gear Ratio, 29 RPM, 140* Max Psig, 25 BHP
	H2	117.0 GPM, 46:1 Gear Ratio, 38 RPM, 108* Max Psig, 25 BHP
	J2	135.5 GPM, 40:1 Gear Ratio, 44 RPM, 72 Max Psig, 25 BHP

Fluid Viscosity	Pressure Range*
0 - 250 cps	0 - 75 psig
250 - 100,000 cps	0 - 217 psig

Dimensional Drawings

See Ordering Information for motor and gearbox sizes.



	A	B	C	D	E	F	G	H	I	J	K	M	N	O	P	Q
Inches	10.3	34.5	31.6	21.9	52.0	27.2	32.7	13.6	10.3	34.5		5.5	5.6	3" 150 lb	8.3	13.6
mm	262	876	803	555	1320	690	830	345	262	876	4xø27	140.5	145	ANSI	210	345